

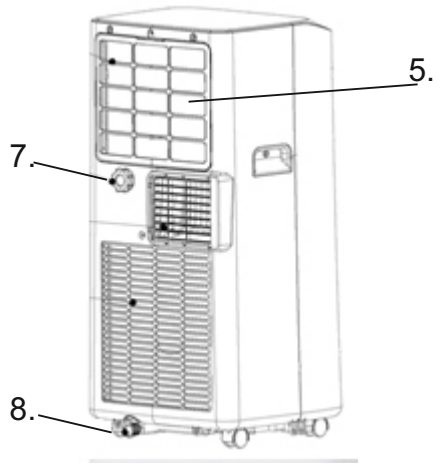
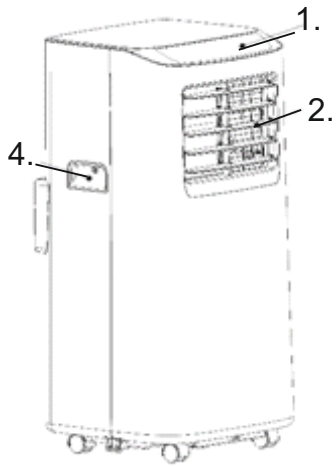
# ADLER

EUROPE

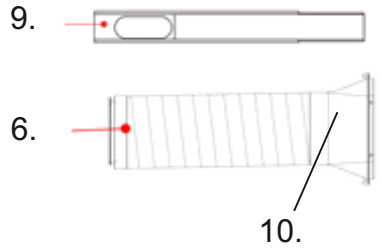
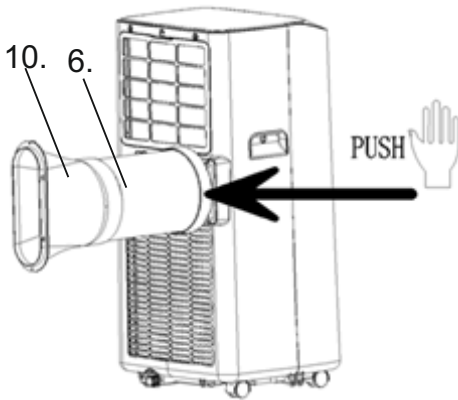


## AD 7909

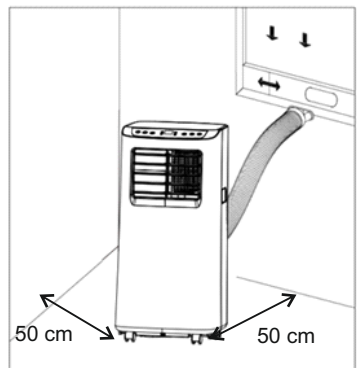
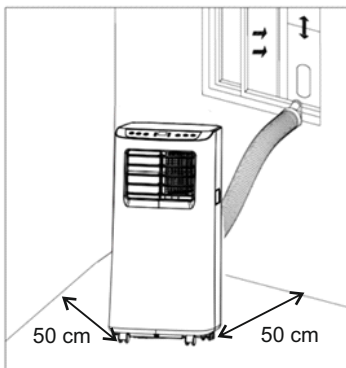
(GB) user manual - 4	(DE) bedienungsanweisung - 8
(FR) mode d'emploi - 13	(ES) manual de uso - 18
(PT) manual de serviço - 24	(LT) naudojimo instrukcija - 29
(LV) lietošanas instrukcija - 33	(EST) kasutusjuhend - 37
(HU) felhasználói kézikönyv - 51	(BS) upute za rad - 46
(RO) Instrucțiunea de deservire - 41	(CZ) návod k obsluze - 79
(RU) инструкция обслуживания - 60	(GR) οδηγίες χρήσεως - 87
(MK) упатство за корисникот - 109	(NL) handleiding - 92
(SL) navodila za uporabo - 74	(FI) manual ng pagtuturo - 56
(PL) instrukcja obsługi - 120	(IT) istruzioni operative - 65
(HR) upute za uporabu - 70	(SV) instruktionsbok - 101
(DK) brugsanvisning - 83	(UA) інструкція з експлуатації - 105
(SR) Корисничко упутство - 96	(SK) Používateľská príručka - 114
(AR) دليل التعليمات - 124	



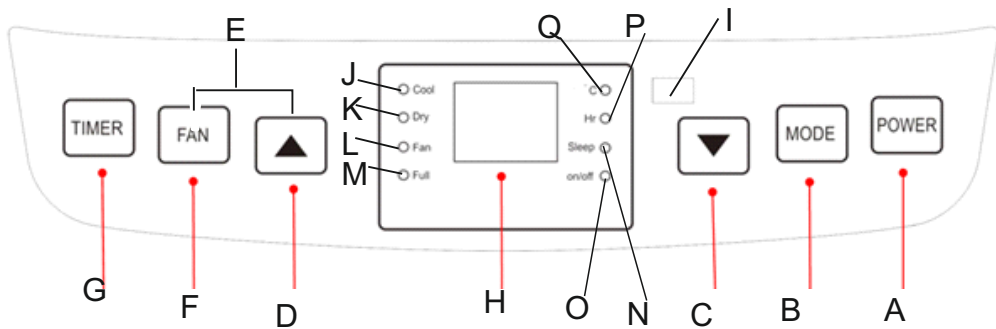
PICTURE A



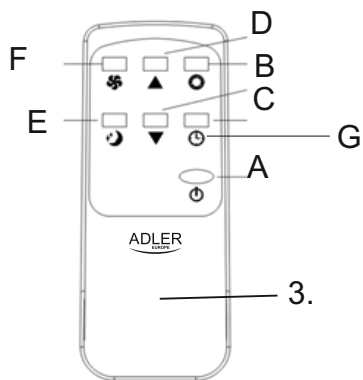
PICTURE B



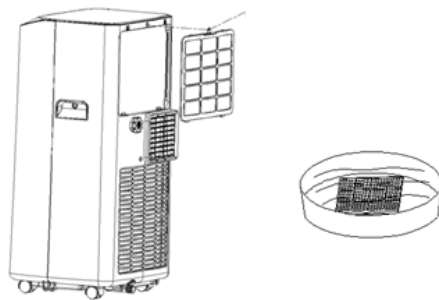
PICTURE C



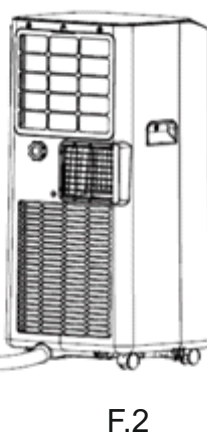
PICTURE D



PICTURE E



PICTURE G



PICTURE F

SAFETY CONDITIONS. IMPORTANT INSTRUCTIONS ON SAFETY OF USE  
PLEASE READ CAREFULLY AND KEEP FOR FUTURE REFERENCE

1. Before using the device, read the operating manual and follow the instructions contained in it. The manufacturer is not liable for damages caused by using the device contrary to its intended purpose or improper operation.
2. The device is for home use only. Do not use for other purposes that are not for its intended purpose.
3. The device should only be connected to an AC outlet with a grounded 220 240V ~ 50Hz. To increase operational safety, multiple electrical devices should not be connected to one current circuit at the same time.
4. Use extreme caution when using the device when children are nearby. Do not allow children to play with the device, do not allow children or people unfamiliar with the device to use it.
5. **WARNING:** This equipment may be used by children over 8 years of age and people with limited physical, sensory or mental ability, or people who have no experience or knowledge of the equipment, if this is done under the supervision of a person responsible for their safety or have been granted them information on the safe use of the device and are aware of the dangers of using it. Children should not play with the equipment. Cleaning and maintenance of the device should not be performed by children, unless they are over 8 years old and these activities are carried out under supervision.
6. Always disconnect the power plug by holding the socket with your hand after use. **DO NOT** pull on the power cord.
7. Do not immerse the cable, plug and the whole device in water or any other liquid. Do not expose the device to atmospheric conditions (rain, sun, etc.) or use in conditions of high humidity (bathrooms, damp mobile homes).
8. Periodically check the condition of the power cord. If the power cord is damaged, it should be replaced by a specialist repair shop to avoid danger.
9. Do not use the appliance with a damaged power cord or if it has been dropped or damaged in any other way or if it is not working properly. Do not repair the device yourself, as there is a risk of electric shock. Take the damaged device to an appropriate service center for checking or repair. All repairs may only be carried out by authorized service points. Incorrectly performed repairs can cause serious danger for the user.
10. Place the device on a cool, stable surface, away from hot kitchen appliances such as: electric stove, gas burner, etc.
11. Make sure that nothing is blocking the air inlet and outlet of the device
12. Use the device only on a level surface to prevent the condensation from spilling out
13. To provide additional protection, it is advisable to install a residual current device (RCD) in the electric circuit with a rated residual current not exceeding 30mA. Ask an

electrician for this.

14. Clean the air filter regularly. The frequency of cleaning depends on the cleanliness of the air.

15. After turning off the machine, wait at least 5 minutes before turning it back on.

16. Do not use the device in sunny places. When the device overheats, the overheat protection will switch on the device.

17. To ensure effective cooling, a distance of at least 50 cm should be kept between the side walls of the device and the wall or furniture or curtains.

18. Due to the limited performance of the device, if the difference between the target temperature and the ambient temperature is too great, the target temperature may not be reached.

19. To reduce the risk of fire, electric shock or injury when using the air conditioner, observe the following basic precautions:

a) Connect to a grounded outlet with 3 pins.

b) Do not remove the grounding prong.

c) Do not use the adapter.

d) Do not use an extension cord.

e) Disconnect the air conditioner before servicing.

f) Use two or more people to move and install the air conditioner.

20. Do not use agents accelerating the defrosting or cleaning process other than those recommended by the manufacturer.

21. The device should be stored in a room without constantly operating sources of ignition, for example: open fire, gas appliances or electric heaters.

#### Device Description - Picture A

- |                                     |                                   |
|-------------------------------------|-----------------------------------|
| 1. Control panel                    | 2. Cold air outlet                |
| 3. Remote controller (picture E)    | 4. Transport handle               |
| 5. Evaporator inlet with EVA filter | 6. Air exhaust pipe               |
| 7. Upper cooler drain hole          | 8. Down cooler drain hole         |
| 9. Window exhaust adapter           | 10. Connector of air exhaust pipe |

#### Control Panel Description - Picture D.

- |   |                                  |
|---|----------------------------------|
| A. Power button   | B. Mode button                   |
| C. Timer / Temperature down button                              | D. Timer / Temperature up button |
| E. Sleep model buttons (D & F pressed together on cooling mode) | F. Fan speed button              |
| G. Timer button   | H. LED screen                    |
| I. Signal receptor for remote controller                        | J. Cool mode control lamp        |
| K. Dry mode control lamp  | L. Fan mode control lamp         |
| M. Full water control lamp                                      | N. Sleep mode control lamp       |
| O. The switch on / off control lamp                             | P. Time control lamp             |
| Q. Temperature control lamp                                     |                                  |

## Remote controller – Picture E

- |                                    |                                  |
|------------------------------------|----------------------------------|
| A. Power button                    | B. Mode button                   |
| C. Timer / Temperature down button | D. Timer / Temperature up button |
| E. Sleep model                     | F. Fan speed button              |
| G. Timer button                    |                                  |

## CONTROL PANEL operation – picture D

Press button "A" to turn on and turn off the machine, the buzzer will play signal once. The control lamp "O" will switch on the control panel.

Press button "B" to switch mode, between cooling mode → fan mode → dehumidifying mode.

Press button "D/C" Up / Down to change the setting temperature or setting time, operate as follows:

- While setting temperature, press button up or down button to select the required temperature (not available in fan or dehumidifying mode).
- While setting time, press up button or down button to select the required time.

Press button „F" to select the Fan speed:

- In cooling and fan mode, press the button "F" to select high or low wind speed operation. In too cold conditions, it may not run according to the set wind speed.
- In dehumidifying mode, pressing the button "F" is invalid, and the fan will forcibly choose low wind speed operation.

Press button "E" to select the Sleep Mode:

- In the cooling mode, press both buttons "F" and "D" to turn on the sleep mode, then the unit will work on Energy - Saving and quiet type. The sleep model control lamp "N" will switch on the control panel.

Press button "G" to select operation period, when the LCD screen flashes, press up button "D" or down button "C" to select the required time range. Time setting range 1-24 hour and can be adjusted up or down by one hour.

Delay start function:

- Power ON delay setting:

Switch off the device and then press the button "G", next press up button "D" or down button "C" to select the required time value. The maximum power on delay time is 24 hours. The device will be switched on after the delay time has elapsed.

- Power OFF delay setting:

Switch on the device and then press the button "G", next press up button "D" or down button "C" to select the required time value. The maximum power off delay time is 24 hours. The device will be switched off after the delay time has elapsed.

Flashing will stop soon and LED screen come back to show required temperature.

## REMOTE CONTROLLER operation – picture E

The remote controller transmits signals to the system.

Button "A" - the appliance will be started when it is energized or will be stopped when it is in operation, if you press this button.

Button "B" - press it to select operation mode: cool mode → dry mode → fan mode.

Button "C" / "D" - press to adjust the room temperature and the timer.

Button "E" - press to set or cancel sleep mode.

Button "F" - press it to select fan speed in sequence: low / high wind speed.

Button "G" - press to set the operation time from 1 to 24 hours.

## PROTECTION DEVICES

### 1. Frost Protection Function:

In cooling, dehumidifying or economic power saving mode, if the temperature of the exhaust pipe is too low, the machine will automatically enter protection status; if the temperature of the exhaust pipe rises to a certain temperature, it can automatically revert to normal operation.

### 2. Overflow Protection Function "M":

When water in the water pan exceeds the warning level, the machine will automatically sound an alarm, and the "FULL" indicator light "M" will flash. At this time, drain the water according to drainage instructions. After the water is emptied, the machine will automatically return to the original state.

### 3. Protection Function of the Compressor

To increase the service life of the compressor, it has a 3-minute delay booting protection function after the compressor is turned off.

## DRAINAGE INSTRUCTIONS:

This machine has two drainage methods: manual drainage and continuous drainage.

### 1. Manual drainage – picture F1.

When the device stops after the water is full, you see on control panel the "M" control lamp is flashing. Turn off the device power and unplug the power plug. Move the machine carefully, so as not to spill the water in the water pan at the bottom of the body. Place the water container below the water outlet behind the housing. Unscrew the down cooler drain hole (8) and unplug the water plug, the water will automatically flow into the water container. Keep the drainage cover and the water plug properly. During drainage, the body can be tilted slightly backwards. If the water container cannot hold all the water, before the water container is full, stuff the water outlet with the water plug as soon as possible to prevent water from flowing to the floor or the carpet. When the water is discharged, stuff the water plug, and tighten the drainage cover.

### 2. Continuous drainage - option applicable to dehumidifying mode ONLY - shown on picture F2.

Unscrew the drainage cover, and unplug the water plug. Set the drainage pipe (not included in kit) into the water outlet. Connect the drainage pipe to the bucket.

## CLEANING & MAINTENANCE

Cleaning: before cleaning and maintenance, turn off the machine and unplug the plug.

### a) Housing cleaning

Clean with surface of device with a wet soft cloth. Don't use chemicals, such as benzene, alcohol, gasoline, otherwise, the surface of the device will be damaged or even the whole machine will be damaged.

### b) EVA filter cleaning

If the filter screen is clogged with dust, and the effectiveness of the device is reduced, be sure to clean the filter screen once every two weeks.

- Clean the upper filter screen frame – picture G.

- Loosen one screw in the back cover and remove the EVA filter mesh (5).

- Put the filter into warm water with neutral detergent (about 40°C / 104°F) and dry it in the shade after rinsing clean.

## STORAGE

1. Unscrew the drainage cover, unplug the water plug, and discharge the water in the water pan into other water containers or directly tilt the housing to discharge the water into other containers.

2. Turn on the device, adjust it to low speed fan mode, and maintain this state until the drainage pipe (not included in kit) becomes dry, so as to keep the inside of the housing in a dry state and prevent it from mildewing.

3. Turn off the device, remove the plug from the socket, install the plug and drain cover.

4. Remove the air exhaust pipe elements.

5. Cover the air conditioning with a plastic bag. Put the air conditioning in a dry place, keep it out of the reach of children, and take dust control measures.

6. Remove batteries of the remote control and keep them properly.

## TROUBLESHOOTING

Do not repair the device yourself. Qualified repair will void the warranty.

Problem I.: The air conditioning does not work.

Reason 1 :There is no electricity. So, turn it on after connecting it to a socket with electricity.

Reason 2: The overflow indicator displays "FL". So, discharge the water.

Reason 3: The ambient temperature is too low or too high. So, recommend to use the device in at the temperature of 7-35 °C (44-95 °F).

Reason 4: In cooling mode, the room temperature is lower than the set temperature. So, change the set temperature.

Reason 5: In dry mode, the ambient temperature is too low. So, the device should be placed in a room with an ambient temperature of greater than 17 °C (62 °F).

Problem II.: The cooling effect is not good.

Reason 1: There is direct sunlight. So, pull the curtain.

Reason 2: Doors or windows are open; there are a lot of people; or in cooling mode, there are other sources of heat. So, close doors and windows, and add new air conditioner.

Reason 3: The EVA filter is dirty. So, clean it.

Reason 4: The air inlet or outlet is blocked. So, clear obstructions.

Problem III.: Big Noise

Reason: The device is not placed on a flat surface. So, put the device on a flat and hard place to reduce noise.

Problem IV.: Compressor does not work.

Reason: Overheat protection starts. So, wait for 3 minutes until the temperature is lowered, and then restart the machine.

Problem V.: The remote control does not work.

Reason 1: The distance between the machine and the remote control is too far. So, let the remote control get close to the device, and make sure that the remote control directly faces to signal receptor (I) at control panel.

Reason 2: The remote control is not aligned with the direction of the remote control receiver. So, do as above.

Reason 3: Batteries are exhausted. So, replace batteries.

Problem VI.: Displays 'E1'.

Reason: The pipe temperature sensor is abnormal. So, please contact an authorized service organization.

Problem VII.: Displays 'E2'

Reason: The room temperature sensor is abnormal. So, please contact an authorized service organization.

Note: If problems not listed in the table occur or recommended solutions do not work, please contact please contact an authorized service organization..

#### TECHNICAL DATA:

Cooling capacity at BTU: 7000 BTU / hour

Cooling capacity in watts: 2060W

Energy consumption (cooling) W: 792 W

Noise level: <= 65dB

Air flow: 300 m3 / h

Energy class: A

Timer: 24 hours

R290 coolant weight: maximum 130 grams



Caution, risk of fire.

Do NOT pierce or burn.

Be aware that the refrigerant may not contain an odour.



To protect your environment: please separate carton boxes and plastic bags and dispose them in corresponding waste bins. Used appliance should be delivered to the dedicated collecting points due to hazardous components, which may affect the environment. Do not dispose this appliance in the common waste bin.

## DEUTSCH

### ALLGEMEINE SICHERHEITSVORSCHRIFTEN WICHTIGE SICHERHEITSHINWEISE SORGFÄLTIG DURCHLESEN UND FÜR DIE ZUKUNFT AUFBEWAHREN

1. Lesen Sie vor dem Gebrauch des Geräts die Bedienungsanleitung und befolgen Sie die darin enthaltenen Anweisungen. Der Hersteller haftet nicht für Schäden, die durch nicht bestimmungsgemäßen Gebrauch oder unsachgemäßen Betrieb des Gerätes verursacht werden.
2. Das Gerät ist nur für den Heimgebrauch bestimmt. Verwenden Sie es nicht für andere Zwecke, die nicht für den vorgesehenen Zweck bestimmt sind.
3. Das Gerät darf nur an eine Netzsteckdose mit 220-240 V ~ 50 Hz angeschlossen werden. Um die Betriebssicherheit zu erhöhen, sollten nicht mehrere elektrische Geräte gleichzeitig an einen Stromkreis angeschlossen werden.
4. Seien Sie äußerst vorsichtig, wenn Sie das Gerät in der Nähe von Kindern verwenden. Erlauben Sie Kindern nicht, mit dem Gerät zu spielen. Erlauben Sie Kindern oder Personen, die mit dem Gerät nicht vertraut sind, nicht, es zu benutzen.
5. **WARNUNG:** Dieses Gerät darf von Kindern über 8 Jahren und Personen mit eingeschränkten körperlichen, sensorischen oder geistigen Fähigkeiten oder Personen ohne Erfahrung oder Kenntnis des Geräts verwendet werden, wenn dies unter Aufsicht einer verantwortlichen Person erfolgt zu ihrer Sicherheit oder ihnen wurden Informationen über den sicheren Gebrauch des Geräts erteilt, und sie sind sich der Gefahren bei der Verwendung des Geräts bewusst. Kinder sollten nicht mit dem Gerät spielen. Die Reinigung und Wartung des Geräts darf nur von Kindern durchgeführt werden, die älter als 8 Jahre sind und diese Tätigkeiten unter Aufsicht ausführen.
6. Ziehen Sie nach dem Gebrauch immer den Netzstecker, indem Sie die Steckdose mit der Hand festhalten. NICHT am Netzkabel ziehen.



7. Tauchen Sie das Kabel, den Stecker und das gesamte Gerät nicht in Wasser oder andere Flüssigkeiten. Setzen Sie das Gerät keinen atmosphärischen Bedingungen aus (Regen, Sonne usw.) und verwenden Sie es nicht bei hoher Luftfeuchtigkeit (Badezimmer, feuchte Mobilheime).
8. Überprüfen Sie regelmäßig den Zustand des Netzkabels. Wenn das Netzkabel beschädigt ist, sollte es von einer Fachwerkstatt ausgetauscht werden, um Gefahren zu vermeiden.
9. Verwenden Sie das Gerät nicht mit einem beschädigten Netzkabel oder wenn es fallen gelassen oder auf andere Weise beschädigt wurde oder wenn es nicht richtig funktioniert. Reparieren Sie das Gerät nicht selbst, da die Gefahr eines Stromschlags besteht. Bringen Sie das beschädigte Gerät zur Überprüfung oder Reparatur zu einem geeigneten Servicecenter. Alle Reparaturen dürfen nur von autorisierten Servicestellen durchgeführt werden. Durch unsachgemäße Reparaturen können ernsthafte Gefahren für den Benutzer entstehen.
10. Stellen Sie das Gerät auf eine kühle, stabile Oberfläche, entfernt von heißen Küchengeräten wie Elektroherd, Gasbrenner usw..
11. Stellen Sie sicher, dass nichts den Lufteinlass und -auslass des Geräts blockiert
12. Verwenden Sie das Gerät nur auf einer ebenen Fläche, damit kein Kondenswasser austreten kann
13. Um einen zusätzlichen Schutz zu gewährleisten, wird empfohlen, im Stromkreis einen Fehlerstromschutzschalter (RCD) mit einem Bemessungsfehlerstrom von nicht mehr als 30 mA zu installieren. Bitten Sie einen Elektriker darum.
14. Reinigen Sie den Luftfilter regelmäßig. Die Häufigkeit der Reinigung hängt von der Luftreinheit ab.
15. Warten Sie nach dem Ausschalten des Geräts mindestens 5 Minuten, bevor Sie es wieder einschalten.
16. Verwenden Sie das Gerät nicht an sonnigen Orten. Wenn das Gerät überhitzt, schaltet der Überhitzungsschutz das Gerät ein.
17. Um eine effektive Kühlung zu gewährleisten, sollte ein Abstand von mindestens 50 cm zwischen den Seitenwänden des Geräts und der Wand oder den Möbeln oder Vorhängen eingehalten werden.
18. Aufgrund der eingeschränkten Leistung des Geräts wird die Zieltemperatur möglicherweise nicht erreicht, wenn der Unterschied zwischen der Zieltemperatur und der Umgebungstemperatur zu groß ist.
19. Beachten Sie die folgenden grundlegenden Vorsichtsmaßnahmen, um die Gefahr von Bränden, Stromschlägen oder Verletzungen bei der Verwendung der Klimaanlage zu verringern:
  - a) An eine geerdete Steckdose mit 3 Stiften anschließen.
  - b) Entfernen Sie nicht den Erdungsstift.
  - c) Verwenden Sie den Adapter nicht.
  - d) Verwenden Sie kein Verlängerungskabel.
  - e) Trennen Sie die Klimaanlage vor Wartungsarbeiten vom Stromnetz.

f) Verwenden Sie zwei oder mehr Personen, um die Klimaanlage zu bewegen und zu installieren.

20. Verwenden Sie keine anderen Mittel, die den Auftau- oder Reinigungsprozess beschleunigen, als die vom Hersteller empfohlenen.

21. Das Gerät sollte in einem Raum ohne ständig in Betrieb befindliche Zündquellen gelagert werden, zum Beispiel: offenes Feuer, Gasgeräte oder elektrische Heizungen.

Gerätebeschreibung - Bild A

- |                                    |                                    |
|------------------------------------|------------------------------------|
| 1. Bedienfeld                      | 2. Kaltluftaustritt                |
| 3. Fernbedienung (Bild E)          | 4. Transportgriff                  |
| 5. Verdampferzulauf mit EVA-Filter | 6. Abluftrohr                      |
| 7. Oberes Kühlerablassloch         | 8. Unteres Kühlerablassloch        |
| 9. Fensterauspuffadapter           | 10. Anschluss des Luftauspuffrohrs |

Beschreibung des Bedienfelds - Bild D.

- |  |  |
|--|--|
| A. Einschaltknopf  | B. Modustaste                          |
| C. Timer- / Temperatur-Abwärtstaste                              | D. Timer- / Temperatur-Aufwärtstaste   |
| E. Sleep-Modelltasten (D & F im Kühlmodus gleichzeitig gedrückt) | F. Lüftergeschwindigkeitstaste         |
| G. Timer-Taste   | H. LED-Bildschirm                      |
| I. Signalempfänger für die Fernbedienung                         | J. Kontrollleuchte für den Kühlmodus   |
| K. Kontrollleuchte für den Trockenmodus                          | L. Kontrollleuchte für den Lüftermodus |
| M. Kontrollleuchte für vollen Wasserstand                        | N. Kontrollleuchte für Ruhemodus       |
| O. Die Kontrollleuchte zum Ein- und Ausschalten                  | P. Kontrollleuchte für die Uhrzeit     |
| Q. Temperaturkontrollleuchte                                     |  |

Fernbedienung - Bild E

- |                                     |                                      |
|-------------------------------------|--------------------------------------|
| A. Einschaltknopf                   | B. Modustaste                        |
| C. Timer- / Temperatur-Abwärtstaste | D. Timer- / Temperatur-Aufwärtstaste |
| E. Sleep-Modell                     | F. Lüftergeschwindigkeitstaste       |
| G. Timer-Taste                      |                                      |

Bedienung des Bedienfelds - Bild D

Drücken Sie die Taste "A", um das Gerät ein- und auszuschalten. Der Summer gibt ein Signal aus. Die Kontrollleuchte „O“ schaltet das Bedienfeld ein.

Drücken Sie die Taste „B“, um zwischen Kühlmodus → Lüftermodus → Entfeuchtungsmodus umzuschalten.

Drücken Sie die Taste "D / C" nach oben / unten, um die Einstelltemperatur oder die Einstellungszeit zu ändern.

Gehen Sie wie folgt vor:

- Während Sie die Temperatur einstellen, drücken Sie die Aufwärts- oder Abwärtstaste, um die gewünschte Temperatur auszuwählen (im Lüfter- oder Entfeuchtungsmodus nicht verfügbar).
- Drücken Sie während der Zeiteinstellung die Aufwärts- oder Abwärtstaste, um die gewünschte Zeit auszuwählen.

Drücken Sie die Taste „F“, um die Lüftergeschwindigkeit auszuwählen:

- Drücken Sie im Kühl- und Lüftermodus die Taste „F“, um den Betrieb mit hoher oder niedriger Windgeschwindigkeit zu wählen. Bei zu kalten Bedingungen läuft es möglicherweise nicht mit der eingestellten Windgeschwindigkeit.
- Im Entfeuchtungsmodus ist das Drücken der Taste „F“ ungültig und der Lüfter wählt zwangsweise einen Betrieb mit niedriger Windgeschwindigkeit.

Drücken Sie die Taste "E", um den Schlafmodus auszuwählen:

- Drücken Sie im Kühlmodus beide Tasten „F“ und „D“, um den Ruhemodus einzuschalten. Das Gerät arbeitet dann im Energiespar- und Ruhemodus. Die Kontrollleuchte "N" des Schlafmodells schaltet das Bedienfeld ein.

Drücken Sie die Taste „G“, um den Betriebszeitraum auszuwählen. Wenn der LCD-Bildschirm blinkt, drücken Sie die Aufwärts-Taste „D“ oder die Abwärts-Taste „C“, um den gewünschten Zeitraum auszuwählen. Der Zeiteinstellungsbereich beträgt 1-24 Stunden und kann um eine Stunde nach oben oder unten angepasst werden. Das Blinken hört bald auf und der LED-Bildschirm zeigt wieder die gewünschte Temperatur an.

Startverzögerungsfunktion:

- Einstellung der Einschaltverzögerung:

Schalten Sie das Gerät aus und drücken Sie dann die Taste „G“. Drücken Sie anschließend die Aufwärtstaste „D“ oder die Abwärtstaste „C“, um den gewünschten Zeitwert auszuwählen. Die maximale Einschaltverzögerungszeit beträgt 24 Stunden. Das Gerät wird nach Ablauf der Verzögerungszeit eingeschaltet.

- Einstellung der Ausschaltverzögerung:

Schalten Sie das Gerät ein und drücken Sie dann die Taste „G“. Drücken Sie anschließend die Aufwärtstaste „D“ oder die Abwärtstaste „C“, um den gewünschten Zeitwert auszuwählen. Die maximale Ausschaltverzögerungszeit beträgt 24 Stunden. Das Gerät wird nach Ablauf der Verzögerungszeit ausgeschaltet.

- Einstellung der Ausschaltverzögerung:

Schalten Sie das Gerät ein und drücken Sie dann die Taste „G“. Drücken Sie anschließend die Aufwärtstaste „D“ oder die Abwärtstaste „C“, um den gewünschten Zeitwert auszuwählen. Die maximale Ausschaltverzögerungszeit beträgt 24 Stunden. Das Gerät wird nach Ablauf der Verzögerungszeit ausgeschaltet.

## FERNBEDIENUNG - Bild E

Die Fernbedienung überträgt Signale an das System.

Taste "A" - Wenn Sie diese Taste drücken, wird das Gerät gestartet, wenn es mit Strom versorgt wird, oder es wird angehalten, wenn es in Betrieb ist.

Taste "B" - drücken, um den Betriebsmodus auszuwählen: Kühlmodus → Trockenmodus → Lüftermodus.

Taste "C" / "D" - drücken, um die Raumtemperatur und den Timer einzustellen.

Taste "E" - drücken, um den Ruhemodus zu aktivieren oder zu deaktivieren.

Taste "F" - drücken Sie diese Taste, um die Lüftergeschwindigkeit nacheinander auszuwählen: niedrige / hohe Windgeschwindigkeit.

Taste "G" - drücken, um die Betriebszeit von 1 bis 24 Stunden einzustellen.

## SCHUTZVORRICHTUNGEN

### 1. Frostschutzfunktion:

Wenn im Kühl-, Entfeuchtungs- oder Energiesparmodus die Temperatur des Auspuffrohrs zu niedrig ist, wechselt die Maschine automatisch in den Schutzstatus. Wenn die Temperatur des Auspuffrohrs auf eine bestimmte Temperatur ansteigt, kann es automatisch zum normalen Betrieb zurückkehren.

### 2. Überlaufschutzfunktion „M“:

Wenn das Wasser in der Wasserwanne den Warnpegel überschreitet, gibt die Maschine automatisch einen Alarm aus und die "FULL" -Anzeige "M" blinkt. Zu diesem Zeitpunkt müssen Sie das Abflussrohr, das die Maschine oder den Wasserauslass mit dem Abwasserkanal oder einem anderen Abflussbereich verbindet, verschieben, um das Wasser zu entleeren (Details siehe Abflussanleitung am Ende dieses Kapitels). Nach dem Entleeren des Wassers kehrt die Maschine automatisch in den ursprünglichen Zustand zurück.

### 3. Schutzfunktion des Kompressors

Um die Lebensdauer des Kompressors zu verlängern, verfügt er nach dem Ausschalten des Kompressors über eine 3-minütige Startverzögerungsschutzfunktion.

## ENTWÄSSERUNGSANLEITUNG:

Diese Maschine verfügt über zwei Entwässerungsmethoden: manuelle Entwässerung und kontinuierliche Entwässerung.

### 1. Manuelle Entwässerung - Bild F1.

Wenn das Gerät stoppt, nachdem das Wasser voll ist, sehen Sie auf dem Bedienfeld, dass die Kontrollleuchte „M“ blinkt. Schalten Sie das Gerät aus und ziehen Sie den Netzstecker. Bewegen Sie die Maschine vorsichtig, damit kein Wasser in die Wasserwanne am Boden des Gehäuses gelangt. Stellen Sie den Wasserbehälter unterhalb des Wasserauslasses hinter das Gehäuse. Schrauben Sie die Ablassbohrung (8) des Unterkühlers heraus und ziehen Sie den Wasserstecker heraus. Das Wasser fließt automatisch in den Wasserbehälter. Bewahren Sie die Drainageabdeckung und den Wasserstopfen ordnungsgemäß auf. Während der Drainage kann der Körper leicht nach hinten geneigt werden. Wenn der Wasserbehälter nicht das gesamte Wasser aufnehmen kann, füllen Sie den Wasserauslass so schnell wie möglich mit dem Wasserpfropfen, damit kein Wasser auf den Boden oder den Teppich fließt. Wenn das Wasser abgelassen wird, füllen Sie den Wasserstopfen und ziehen Sie die Abflussabdeckung fest.

2. Kontinuierliche Entwässerung - Option gilt NUR für den Entfeuchtungsmodus - siehe Abbildung F2.

Schrauben Sie den Ablaufdeckel ab und ziehen Sie den Wasserstecker heraus. Setzen Sie das Abflussrohr (nicht im Kit enthalten) in den Wasserauslass. Verbinden Sie das Abflussrohr mit dem Eimer.

## REINIGUNG & WARTUNG

Reinigung: Vor der Reinigung und Wartung die Maschine ausschalten und den Netzstecker ziehen.

### a) Wohnungsreinigung

Reinigen Sie die Oberfläche des Geräts mit einem feuchten, weichen Tuch. Verwenden Sie keine Chemikalien wie Benzin, Alkohol oder Benzin, da sonst die Oberfläche des Geräts beschädigt oder sogar die gesamte Maschine beschädigt wird.

### b) Reinigung des EVA-Filters

Wenn das Filtersieb durch Staub verstopft ist und die Wirksamkeit des Geräts beeinträchtigt ist, reinigen Sie das Filtersieb unbedingt alle zwei Wochen.

- Reinigen Sie den oberen Filterrahmen - Bild G.

- Eine mit dem EVA-Filter (5) befestigte Schraube und die hintere Schale mit einem Schraubendreher lösen und das Filternetz herausnehmen.

- Setzen Sie den Filter in warmes Wasser mit neutralem Reinigungsmittel (ca. 40 about / 104 °F) und trocknen Sie ihn nach dem Abspülen im Schatten.

## LAGER

1. Schrauben Sie den Ablaufdeckel ab, ziehen Sie den Wasserstecker und lassen Sie das Wasser in der Wasserwanne in anderes Wasser ab

Behälter oder kippen Sie das Gehäuse direkt, um das Wasser in andere Behälter abzulassen.

2. Schalten Sie das Gerät ein, stellen Sie es auf Lüfterbetrieb mit niedriger Drehzahl ein und warten Sie diesen Zustand, bis das Abflussrohr (nicht im Kit enthalten) trocken ist, um das Innere des Gehäuses trocken zu halten und Schimmelbildung zu vermeiden .

3. Schalten Sie das Gerät aus, ziehen Sie den Netzstecker und wickeln Sie das Netzkabel um den Wickelpfosten. Bringen Sie den Wasserstecker und die Ablaufabdeckung an.

4. Entfernen Sie die Luftauslassroherelemente und bewahren Sie sie ordnungsgemäß auf.

5. Decken Sie die Klimaanlage mit einer Plastiktüte ab. Stellen Sie die Klimaanlage an einem trockenen Ort auf, bewahren Sie sie außerhalb der Reichweite von Kindern auf und ergreifen Sie Maßnahmen zur Staubbekämpfung.

6. Entfernen Sie die Batterien der Fernbedienung und bewahren Sie diese ordnungsgemäß auf.

## FEHLERBEHEBUNG

Reparieren Sie das Gerät nicht selbst. Durch eine qualifizierte Reparatur wird die Garantie ungültig.

Problem I .: Die Klimaanlage funktioniert nicht.

Grund 1: Es gibt keinen Strom. Schalten Sie es also ein, nachdem Sie es an eine Steckdose mit Strom angeschlossen haben.

Grund 2: Die Überlaufanzeige zeigt "FL" an. Also, entleere das Wasser.

Grund 3: Die Umgebungstemperatur ist zu niedrig oder zu hoch. Wir empfehlen daher, das Gerät bei einer Temperatur von 7-35 ° C (44-95 ° C) zu verwenden.

Grund 4: Im Kühlmodus ist die Raumtemperatur niedriger als die eingestellte Temperatur. Ändern Sie also die eingestellte Temperatur.

Grund 5: Im Trockenmodus ist die Umgebungstemperatur zu niedrig. Das Gerät sollte daher in einem Raum mit einer Umgebungstemperatur von mehr als 62 ° C aufgestellt werden.

Problem II .: Die Kühlwirkung ist nicht gut.

Grund 1: Es gibt direktes Sonnenlicht. Also, zieh den Vorhang zu.

Grund 2: Türen oder Fenster sind offen; Da sind viele Menschen; oder im Kühlmodus gibt es andere Wärmequellen. Schließen Sie also Türen und Fenster und fügen Sie eine neue Klimaanlage hinzu.

Grund 3: Der EVA-Filter ist verschmutzt. Also rein damit.

Grund 4: Der Lufteinlass oder -auslass ist blockiert. Also klare Hindernisse.

Aufgabe III .: Großes Rauschen

Grund: Das Gerät steht nicht auf einer ebenen Fläche. Stellen Sie das Gerät daher auf eine flache und harte Stelle, um Geräusche zu reduzieren.

Problem IV .: Kompressor funktioniert nicht.

Grund: Überhitzungsschutz startet. Warten Sie also 3 Minuten, bis die Temperatur gesunken ist, und starten Sie die Maschine neu.

Problem V .: Die Fernbedienung funktioniert nicht.

Grund 1: Der Abstand zwischen der Maschine und der Fernbedienung ist zu groß. Lassen Sie die Fernbedienung also in die Nähe des Geräts und achten Sie darauf, dass sie direkt zum Signalempfänger (I) am Bedienfeld zeigt.

Grund 2: Die Fernbedienung ist nicht auf die Richtung des Fernbedienungsempfängers ausgerichtet. Also mach wie oben.

Grund 3: Die Batterien sind erschöpft. Tauschen Sie die Batterien aus.

Problem VI .: Zeigt 'E1' an.

Grund: Der Rohrtemperatursensor ist abnormal. Wenden Sie sich daher bitte an eine autorisierte Serviceorganisation.

Aufgabe VII .: Zeigt 'E2' an

Grund: Der Raumtemperaturfühler ist abnormal. Wenden Sie sich daher bitte an eine autorisierte Serviceorganisation.

Hinweis: Wenn Probleme auftreten, die nicht in der Tabelle aufgeführt sind, oder die empfohlenen Lösungen nicht funktionieren, wenden Sie sich an die professionelle Serviceorganisation

#### TECHNISCHE DATEN:

Kühlleistung bei BTU: 7000 BTU / Stunde

Kühlleistung in Watt: 2060W

Energieverbrauch (Kühlung) W: 792 W

Lautstärke: <= 65 dB

Luftmenge: 300 m3 / h

Energieklasse: A

Timer: 24 Stunden

R290 Kühlmittelgewicht: max. 130 Gramm



Vorsicht, Brandgefahr.

NICHT durchstechen oder verbrennen.

Beachten Sie, dass das Kältemittel möglicherweise keinen Geruch enthält.



Den Pappkarton im Altpapier entsorgen. Polyäthylenbeutel (PE) in dem Behälter für Kunststoff entsorgen. Das abgenutzte Gerät zum Recycling zu einer offiziellen Sammelstelle bringen, da es gefährliche Substanzen enthält, die die Umwelt gefährden können. Das Gerät sollte in einer Form abgegeben werden, die eine weitere Nutzung unmöglich macht. Wenn es Batterien enthält, sollten diese rausgenommen und separat an einer Sammelstelle abgegeben werden. Das Gerät darf nicht in den Hausmüll rausgeworfen werden!!

## FRANÇAIS

### CONDITIONS GENERALES DE SECURITE INSTRUCTIONS DE SÉCURITÉ IMPORTANTES À LIRE ATTENTIVEMENT ET À CONSERVER POUR L'AVENIR

1. Avant d'utiliser l'appareil, lisez le mode d'emploi et suivez les instructions qu'il contient. Le fabricant n'est pas responsable des dommages résultant de l'utilisation contraire de

l'appareil ou de son utilisation incorrecte.

2. L'appareil est réservé à un usage domestique. Ne pas utiliser à d'autres fins que celles prévues.

3. L'appareil ne doit être branché qu'à une prise secteur avec une tension de 220 240V ~ 50Hz mise à la terre. Pour augmenter la sécurité de fonctionnement, plusieurs appareils électriques ne doivent pas être connectés à un circuit de courant en même temps.

4. Soyez extrêmement prudent lorsque vous utilisez l'appareil lorsque des enfants se trouvent à proximité. Ne laissez pas les enfants jouer avec l'appareil, n'autorisez pas les enfants ou des personnes inconnus à l'utiliser.

5. **AVERTISSEMENT:** Cet équipement peut être utilisé par des enfants de plus de 8 ans et des personnes ayant des capacités physiques, sensorielles ou mentales limitées, ou des personnes qui n'ont aucune expérience ou connaissance de l'équipement, si cela est fait sous la supervision d'une personne responsable. Pour leur sécurité ou leur ont été donnés des informations sur l'utilisation en toute sécurité de l'appareil et sont conscients des dangers de son utilisation. Les enfants ne doivent pas jouer avec l'équipement. Le nettoyage et l'entretien de l'appareil ne doivent pas être effectués par des enfants, sauf s'ils ont plus de 8 ans et que ces activités sont effectuées sous surveillance.

6. Débranchez toujours le cordon d'alimentation en tenant la prise avec votre main après utilisation. **NE tirez PAS** sur le cordon d'alimentation.

7. N'immergez pas le câble, la fiche et l'appareil dans l'eau ou tout autre liquide. N'exposez pas l'appareil à des conditions atmosphériques (pluie, soleil, etc.) et ne l'utilisez pas dans des conditions d'humidité élevée (salles de bains, maisons mobiles humides).

8. Vérifiez périodiquement l'état du cordon d'alimentation. Si le cordon d'alimentation est endommagé, il doit être remplacé par un atelier spécialisé afin d'éviter tout danger.

9. N'utilisez pas l'appareil avec un cordon d'alimentation endommagé, s'il est tombé ou s'il a été endommagé d'une autre manière ou s'il ne fonctionne pas correctement. Ne réparez pas l'appareil vous-même, vous risqueriez de vous électrocuter. Apportez le périphérique endommagé à un centre de service approprié pour vérification ou réparation. Toutes les réparations ne peuvent être effectuées que par des points de service autorisés. Des réparations effectuées incorrectement peuvent entraîner un grave danger pour l'utilisateur.

10. Placez l'appareil sur une surface fraîche et stable, loin des appareils de cuisine chauds tels que: cuisinière électrique, brûleur à gaz, etc.

11. Assurez-vous que rien ne bloque l'entrée et la sortie d'air de l'appareil.

12. Utilisez l'appareil uniquement sur une surface plane afin d'empêcher la condensation de se répandre

13. Pour assurer une protection supplémentaire, il est conseillé d'installer un dispositif à courant différentiel résiduel (RCD) dans le circuit électrique avec un courant résiduel nominal ne dépassant pas 30 mA. Demandez à un électricien pour cela.

14. Nettoyez le filtre à air régulièrement. La fréquence de nettoyage dépend de la propreté de l'air.

15. Après avoir éteint la machine, attendez au moins 5 minutes avant de la rallumer.

16. N'utilisez pas l'appareil dans des endroits ensoleillés. Lorsque l'appareil surchauffe, la

protection contre la surchauffe allumera l'appareil.

17. Pour assurer un refroidissement efficace, une distance minimale de 50 cm doit être respectée entre les parois latérales de l'appareil et le mur, le meuble ou les rideaux.

18. En raison des performances limitées de l'appareil, si la différence entre la température cible et la température ambiante est trop grande, la température cible peut ne pas être atteinte.

19. Pour réduire les risques d'incendie, de choc électrique ou de blessure lors de l'utilisation du climatiseur, observez les précautions de base suivantes:

- a) Connectez-vous à une prise mise à la terre avec 3 broches.
- b) Ne retirez pas la broche de mise à la terre.
- c) N'utilisez pas l'adaptateur.
- d) N'utilisez pas de rallonge.
- e) Débranchez le climatiseur avant de procéder à l'entretien.
- f) Utilisez deux personnes ou plus pour déplacer et installer le climatiseur.

20. N'utilisez pas d'agents accélérant le processus de dégivrage ou de nettoyage autres que ceux recommandés par le fabricant.

21. L'appareil doit être rangé dans une pièce dépourvue de sources d'inflammation en fonctionnement constant, par exemple: feu ouvert, appareils à gaz ou radiateurs électriques.

Description de l'appareil - Image A

- |  |   |
|--|---|
| 1. Panneau de commande                         | 2. Sortie d'air froid                       |
| 3. Télécommande (image E)                      | 4. Poignée de transport                     |
| 5. Entrée de l'évaporateur avec filtre EVA     | 6. Tuyau d'échappement d'air                |
| 7. Trou de drainage supérieur du refroidisseur | 8. Trou de drainage inférieur               |
| 9. Adaptateur d'échappement de fenêtre         | 10. Connecteur du tuyau d'échappement d'air |

Description du panneau de commande - Image D.

- |  |  |
|--|--|
| A. Bouton d'alimentation   | B. Bouton de mode                                    |
| C. Bouton de minuterie / abaissement de la température                               | D. Bouton de minuterie / élévation de la température |
| E. Touches du modèle de veille (D & F enfoncées ensemble en mode de refroidissement) | F. Touche de vitesse du ventilateur                  |
| G. Bouton de minuterie   | H. Écran LED   |
| I. Récepteur de signal pour la télécommande  | J. Lampe témoin de mode Cool                         |
| K. Témoin de contrôle du mode de séchage   | L. Témoin de contrôle du mode de ventilation         |
| M. Témoin de contrôle complet de l'eau   | N. Témoin de contrôle du mode veille                 |
| O. Le témoin de contrôle d'activation / désactivation                                | P. Témoin de contrôle du temps                       |
| Q. lampe de contrôle de température  |  |

Télécommande - Photo E

- |  |  |
|--|--|
| A. Bouton d'alimentation                               | B. Bouton de mode                                    |
| C. Bouton de minuterie / abaissement de la température | D. Bouton de minuterie / élévation de la température |
| E. Modèle de sommeil                                   | F. Bouton de vitesse du ventilateur                  |
| G. Bouton de minuterie                                 |  |

Fonctionnement du PANNEAU DE COMMANDE - image D

Appuyez sur le bouton "A" pour allumer et éteindre la machine, la sonnerie émettra le signal une fois. Le voyant de contrôle "O" allumera le panneau de contrôle.

Appuyez sur le bouton "B" pour changer de mode, entre les modes refroidissement → mode ventilateur → mode déshumidification.

Appuyez sur le bouton "D / C" Haut / Bas pour changer le réglage de la température ou du temps de réglage, procédez comme suit:

- Pendant le réglage de la température, appuyez sur le bouton haut ou bas pour sélectionner la température

requis (non disponible en mode ventilateur ou déshumidification).

- Lors du réglage de l'heure, appuyez sur le bouton haut ou bas pour sélectionner le temps requis.

Appuyez sur le bouton «F» pour sélectionner la vitesse du ventilateur:

- En mode de refroidissement et de ventilation, appuyez sur la touche "F" pour sélectionner le fonctionnement en vitesse de vent élevée ou faible. Par temps trop froid, il peut ne pas fonctionner en fonction de la vitesse du vent définie.

- En mode déshumidification, une pression sur la touche "F" n'est pas valide et le ventilateur choisira de force le fonctionnement à faible vitesse du vent.

Appuyez sur le bouton "E" pour sélectionner le mode veille:

- En mode de refroidissement, appuyez sur les deux touches "F" et "D" pour activer le mode veille. Ensuite, l'appareil fonctionnera en mode d'économie d'énergie et de silence. Le voyant de contrôle du modèle de veille «N» allume le panneau de contrôle.

Appuyez sur le bouton "G" pour sélectionner la période de fonctionnement. Lorsque l'écran LCD clignote, appuyez sur le bouton haut "D" ou le bouton bas "C" pour sélectionner la plage de temps requise. La plage de réglage de l'heure est comprise entre 1 et 24 heures et peut être augmentée ou diminuée d'une heure. Le clignotement cessera bientôt et l'écran à DEL reviendra pour indiquer la température ambiante attendue.

Fonction de démarrage différé:

- Réglage du délai de mise sous tension:

Éteignez l'appareil, appuyez sur la touche "G", puis appuyez sur la touche "D" ou sur la touche "C" pour sélectionner la valeur de temps requise. Le délai de mise sous tension maximal est de 24 heures. L'appareil s'allume une fois le délai écoulé.

- Réglage du délai de mise hors tension:

Allumez l'appareil, puis appuyez sur la touche "G", puis appuyez sur la touche haut "D" ou bas "C" pour sélectionner la valeur de temps requise. Le délai maximum de mise hors tension est de 24 heures. L'appareil sera éteint une fois le délai écoulé.

TÉLÉCOMMANDE - image E

La télécommande transmet des signaux au système.

Bouton "A" - l'appareil sera mis en marche quand il est sous tension ou sera arrêté quand il est en marche, si vous appuyez sur ce bouton.

Bouton "B" - appuyez dessus pour sélectionner le mode de fonctionnement: mode froid → mode sec → mode ventilateur.

Bouton "C" / "D" - appuyez pour régler la température ambiante et la minuterie.

Bouton "E" - appuyez pour définir ou annuler le mode veille.

Bouton "F" - appuyez dessus pour sélectionner la vitesse du ventilateur dans l'ordre: vitesse du vent faible / élevée.

Bouton "G" - appuyez pour régler la durée de fonctionnement de 1 à 24 heures.

DISPOSITIFS DE PROTECTION

1. Fonction de protection contre le gel:

En mode de refroidissement, de déshumidification ou d'économie d'énergie économique, si la température du tuyau d'échappement est trop basse, la machine entre automatiquement en état de protection; Si la température du tuyau d'échappement atteint une certaine température, il peut automatiquement revenir au fonctionnement normal.

2. Fonction de protection contre le débordement "M":

Lorsque l'eau dans le bac à eau dépasse le niveau d'avertissement, la machine déclenchera automatiquement une alarme et le voyant «FULL» «M» clignotera. À ce moment, vidangez l'eau conformément aux instructions de drainage. Une fois l'eau vidée, la machine revient automatiquement à son état d'origine.

3. Fonction de protection du compresseur



Pour augmenter la durée de vie du compresseur, il dispose d'une fonction de protection au démarrage différé de 3 minutes après la mise hors tension du compresseur.

## INSTRUCTIONS DE DRAINAGE:

Cette machine dispose de deux méthodes de drainage: drainage manuel et drainage continu.

### 1. Drainage manuel - image F1.

Lorsque l'appareil s'arrête une fois que l'eau est pleine, vous voyez sur le panneau de commande le voyant «M» clignote. Éteignez l'appareil et débranchez le cordon d'alimentation. Déplacez la machine avec précaution pour ne pas renverser d'eau dans le bac situé au bas du corps. Placez le réservoir d'eau sous la sortie d'eau derrière le boîtier. Dévissez le trou de vidange du refroidisseur inférieur (8) et débranchez le bouchon d'eau, l'eau coulera automatiquement dans le réservoir d'eau. Conservez le couvercle de drainage et le bouchon d'eau correctement. Pendant le drainage, le corps peut être légèrement incliné vers l'arrière. Si le réservoir d'eau ne peut contenir toute l'eau, remplissez-le le plus tôt possible avant de remplir le réservoir d'eau pour empêcher l'eau de s'écouler jusqu'au sol ou sur le tapis. Lorsque l'eau est évacuée, bourrez le bouchon d'eau et serrez le couvercle de drainage.

### 2. Drainage continu - option applicable au mode déshumidification UNIQUEMENT - comme indiqué sur la photo F2.

Dévissez le couvercle de drainage et débranchez le bouchon d'eau. Placez le tuyau de drainage (non inclus dans le kit) dans la sortie d'eau. Connectez le tuyau de drainage au seau.

## NETTOYAGE & ENTRETIEN

Nettoyage: avant le nettoyage et l'entretien, éteignez la machine et débranchez la fiche.

### a) Nettoyage du logement

Nettoyer avec la surface de l'appareil avec un chiffon doux et humide. N'utilisez pas de produits chimiques tels que le benzène, l'alcool, l'essence, sinon la surface de l'appareil serait endommagée ou même toute la machine serait endommagée.

### b) Nettoyage du filtre EVA

Si la crépine est obstruée par la poussière et que l'efficacité de l'appareil est réduite, veillez à la nettoyer toutes les deux semaines.

- Nettoyez le cadre supérieur du tamis du filtre - image G.

- Desserrez une vis dans le capot arrière et retirez le filtre en EVA (5).

- Placez le filtre dans de l'eau tiède avec un détergent neutre (environ 40/104) et séchez-le à l'ombre après le rinçage.

## ESPACE DE RANGEMENT

1. Dévissez le couvercle de drainage, débranchez le bouchon d'eau et déchargez l'eau du bac à eau dans d'autres réservoirs d'eau ou inclinez directement le boîtier pour évacuer l'eau dans d'autres réservoirs.

2. Allumez l'appareil, réglez-le en mode de ventilation basse vitesse et maintenez cet état jusqu'à ce que le tuyau de drainage (non compris dans le kit) soit sec afin de maintenir l'intérieur du boîtier au sec et de l'empêcher de moisissure. .

3. Éteignez l'appareil, retirez la fiche de la prise, installez la fiche et le couvercle de drain.

4. Retirez les éléments du tuyau d'échappement d'air.

5. Couvrir la climatisation avec un sac en plastique. Placez la climatisation dans un endroit sec, gardez-la hors de la portée des enfants et prenez des mesures de contrôle de la poussière.

6. Retirez les piles de la télécommande et conservez-les correctement.

## DÉPANNAGE

Ne réparez pas l'appareil vous-même. Une réparation qualifiée annulera la garantie.

Problème 1 : La climatisation ne fonctionne pas.

Raison n ° 1: il n'y a pas d'électricité. Alors, allumez-le après l'avoir connecté à une prise avec de l'électricité.

Raison 2: l'indicateur de débordement affiche "FL". Alors, videz l'eau.

Raison 3: La température ambiante est trop basse ou trop élevée. Il est donc recommandé d'utiliser l'appareil à une température de 7 à 35 (44 à 95).

Raison 4: en mode de refroidissement, la température ambiante est inférieure à la température définie. Alors, changez la température de consigne.

Raison 5: En mode sec, la température ambiante est trop basse. L'appareil doit donc être placé dans une pièce dont la température ambiante est supérieure à 17 (62).

Problème II : L'effet de refroidissement n'est pas bon.

Raison 1: Il y a la lumière directe du soleil. Alors, tirez le rideau.

Raison 2: les portes ou les fenêtres sont ouvertes; il ya beaucoup de personnes; ou en mode de refroidissement, il existe d'autres sources de chaleur. Alors, fermez les portes et les fenêtres et ajoutez un nouveau climatiseur.

Raison 3: le filtre EVA est sale. Alors, nettoyez-le.

Raison 4: L'entrée ou la sortie d'air est bloquée. Donc, dégagez les obstructions.

Problème III: Big Noise

Raison: l'appareil n'est pas placé sur une surface plane. Alors, placez l'appareil sur un endroit plat et dur pour réduire le bruit.

Problème IV : Le compresseur ne fonctionne pas.

Raison: la protection contre la surchauffe commence. Attendez 3 minutes que la température baisse, puis redémarrez la machine.

Problème V : La télécommande ne fonctionne pas.

Raison n° 1: la distance entre la machine et la télécommande est trop grande. Laissez donc la télécommande s'approcher de l'appareil et assurez-vous que celle-ci est directement orientée vers le récepteur de signaux (!) sur le panneau de commande.

Raison 2: la télécommande n'est pas alignée sur la direction du récepteur de la télécommande. Alors, fais comme ci-dessus.

Raison 3: les piles sont épuisées. Alors, remplacez les piles.

Problème VI : Affiche 'E1'.

Raison: le capteur de température de la conduite est anormal. Alors, veuillez contacter un service après-vente agréé.

Problème VII : Affiche 'E2'

Raison: le capteur de température ambiante est anormal. Alors, veuillez contacter un centre de service agréé.

Remarque: Si des problèmes ne figurant pas dans le tableau surviennent ou si les solutions recommandées ne fonctionnent pas, veuillez contacter le service d'assistance technique.

#### DONNÉES TECHNIQUES:

Capacité de refroidissement en BTU: 7 000 BTU / heure

Puissance frigorifique en watts: 2060W

Consommation énergétique (refroidissement) W: 792 W

Volume: <= 65dB

Débit d'air: 300 m3 / h

Classe énergétique: A

Minuterie: 24 heures

R290 poids de liquide de refroidissement: max. 130 grammes



Attention, risque d'incendie.

NE PAS percer ou brûler.

Sachez que le réfrigérant peut ne pas contenir d'odeur.



Attention! Liquide hautement inflammable à l'intérieur. Respect de l'environnement. Nous vous prions de bien vouloir trier les emballages en carton ainsi que les sachets plastiques (en polyéthylène). L'appareil usagé ne doit pas être jeté à la poubelle mais remis au point de collecte prévu à cet effet car il contient des éléments pouvant être nocifs pour l'environnement. L'appareil électrique doit être remis de manière à limiter au maximum une éventuelle utilisation ultérieure. Si l'appareil contient des piles, il faut les retirer et les remettre à un autre point de collecte. Ne pas jeter l'appareil dans une poubelle de déchets ménagers !!!

## ESPAÑOL

### CONDICIONES GENERALES DE SEGURIDAD

### INSTRUCCIONES DE SEGURIDAD IMPORTANTES LEA CUIDADOSAMENTE Y AHORRE POR FUTURO

1. Antes de usar el dispositivo, lea el manual de operación y siga las instrucciones contenidas en él. El fabricante no se hace responsable de los daños causados por el

uso del dispositivo contrario a su propósito previsto u operación incorrecta.

2. El dispositivo es solo para uso doméstico. No lo use para otros fines que no sean para los fines previstos.

3. El dispositivo solo debe conectarse a un tomacorriente de CA con una conexión a tierra de 220 240V ~ 50Hz. Para aumentar la seguridad operativa, no se deben conectar varios dispositivos eléctricos a un circuito de corriente al mismo tiempo.

4. Tenga mucho cuidado al usar el dispositivo cuando haya niños cerca. No permita que los niños jueguen con el dispositivo, no permita que lo usen niños o personas que no estén familiarizadas con el dispositivo.

5. **ADVERTENCIA:** Este equipo puede ser utilizado por niños mayores de 8 años y personas con capacidad física, sensorial o mental limitada, o personas que no tienen experiencia o conocimiento del equipo, si esto se hace bajo la supervisión de una persona responsable. por su seguridad o se les ha otorgado información sobre el uso seguro del dispositivo y son conscientes de los peligros de su uso. Los niños no deben jugar con el equipo. La limpieza y el mantenimiento del dispositivo no deben ser realizados por niños, a menos que tengan más de 8 años y estas actividades se realicen bajo supervisión.

6. Siempre desconecte el enchufe de alimentación sosteniendo el enchufe con la mano después de usarlo. NO tire del cable de alimentación.

7. No sumerja el cable, el enchufe y todo el dispositivo en agua o cualquier otro líquido. No exponga el dispositivo a condiciones atmosféricas (lluvia, sol, etc.) ni lo use en condiciones de alta humedad (baños, casas móviles húmedas).

8. Compruebe periódicamente el estado del cable de alimentación. Si el cable de alimentación está dañado, debe ser reemplazado por un taller de reparación especializado para evitar peligros.

9. No utilice el aparato con un cable de alimentación dañado o si se ha caído o dañado de alguna otra manera o si no funciona correctamente. No repare el dispositivo usted mismo, ya que existe el riesgo de descarga eléctrica. Lleve el dispositivo dañado a un centro de servicio apropiado para su revisión o reparación. Todas las reparaciones solo pueden llevarse a cabo en puntos de servicio autorizados. Las reparaciones realizadas incorrectamente pueden causar serios peligros para el usuario.

10. Coloque el dispositivo sobre una superficie fresca y estable, lejos de electrodomésticos de cocina calientes como: estufa eléctrica, quemador de gas, etc.

11. Asegúrese de que nada bloquee la entrada y salida de aire del dispositivo

12. Use el dispositivo solo en una superficie nivelada para evitar que se derrame la condensación

13. Para proporcionar protección adicional, es aconsejable instalar un dispositivo de corriente residual (RCD) en el circuito eléctrico con una corriente residual nominal que no exceda los 30 mA. Pregúntele a un electricista por esto.

14. Limpie el filtro de aire regularmente. La frecuencia de la limpieza depende de la limpieza del aire.

15. Después de apagar la máquina, espere al menos 5 minutos antes de volver a

encenderla.

16. No utilice el dispositivo en lugares soleados. Cuando el dispositivo se sobrecalienta, la protección contra sobrecalentamiento encenderá el dispositivo.

17. Para garantizar un enfriamiento efectivo, se debe mantener una distancia de al menos 50 cm entre las paredes laterales del dispositivo y la pared, los muebles o las cortinas.

18. Debido al rendimiento limitado del dispositivo, si la diferencia entre la temperatura objetivo y la temperatura ambiente es demasiado grande, es posible que no se alcance la temperatura objetivo.

19. Para reducir el riesgo de incendio, descarga eléctrica o lesiones al usar el aire acondicionado, observe las siguientes precauciones básicas:

a) Conecte a una toma de corriente con conexión a tierra con 3 pines.

b) No quite la punta de conexión a tierra.

c) No use el adaptador.

d) No use un cable de extensión.

e) Desconecte el aire acondicionado antes de dar servicio.

f) Use dos o más personas para mover e instalar el aire acondicionado.

20. No utilice agentes que aceleren el proceso de descongelación o limpieza que no sean los recomendados por el fabricante.

21. El dispositivo debe almacenarse en una habitación sin operar constantemente fuentes de ignición, por ejemplo: fuego abierto, aparatos de gas o calentadores eléctricos.

Descripción del dispositivo - Imagen A

- |  |  |
|--|--|
| 1. Panel de control                              | 2. Salida de aire frío                           |
| 3. Control remoto (imagen E)                     | 4. Asa de transporte                             |
| 5. Entrada del evaporador con filtro EVA         | 6. Tubo de escape de aire                        |
| 7. Orificio de drenaje superior del refrigerador | 8. Orificio de drenaje inferior del refrigerador |
| 9. Adaptador de escape de la ventana             | 10. Conector del tubo de escape de aire          |

Descripción del panel de control - Imagen D.

- |   |   |
|---|---|
| A. Botón de encendido   | B. Botón de modo                            |
| C. Botón de temporizador / temperatura baja   | D. Botón de temporizador / temperatura alta |
| E. Botones del modelo de suspensión (D & F presionados juntos en el modo de enfriamiento) |   |
| F. Botón de velocidad del ventilador  | G. Botón del temporizador                   |
| H. Pantalla LED   | I. Receptor de señal para control remoto    |
| J. Lámpara de control de modo frío  | K. Lámpara de control de modo seco          |
| L. Lámpara de control de modo de ventilador   | M. Lámpara de control de agua completa      |
| N. Lámpara de control del modo de reposo  |   |
| O. La lámpara de control de encendido / apagado del interruptor                           |   |
| P. Lámpara de control de tiempo   | Q. Lámpara de control de temperatura        |

Mando a distancia - Imagen E

- |   |   |
|---|---|
| A. Botón de encendido                       | B. Botón de modo                            |
| C. Botón de temporizador / temperatura baja | D. Botón de temporizador / temperatura alta |
| E. Modelo de reposo                         | F. Botón de velocidad del ventilador        |
| G. Botón del temporizador                   |   |

## Operación del PANEL DE CONTROL - imagen D

Presione el botón "A" para encender y apagar la máquina, el timbre reproducirá la señal una vez. La lámpara de control "O" se encenderá en el panel de control.

Presione el botón "B" para cambiar de modo, entre modo de enfriamiento → modo de ventilador → modo de deshumidificación.

Presione el botón "D / C" arriba / abajo para cambiar la temperatura o el tiempo de configuración, opere de la siguiente manera:

- Mientras configura la temperatura, presione el botón hacia arriba o hacia abajo para seleccionar la temperatura requerida (no disponible en modo ventilador o deshumidificación).
- Mientras configura el tiempo, presione el botón arriba o el botón abajo para seleccionar el tiempo requerido.

Presione el botón "F" para seleccionar la velocidad del ventilador:

- En el modo de enfriamiento y ventilador, presione el botón "F" para seleccionar la operación de alta o baja velocidad del viento. En condiciones demasiado frías, puede no funcionar de acuerdo con la velocidad del viento establecida.
- En el modo de deshumidificación, presionar el botón "F" no es válido y el ventilador elegirá forzosamente la operación a baja velocidad del viento.

Presione el botón "E" para seleccionar el modo de suspensión:

- En el modo de enfriamiento, presione los botones "F" y "D" para activar el modo de reposo, luego la unidad funcionará con ahorro de energía y tipo silencioso. La lámpara de control del modelo de suspensión "N" se encenderá en el panel de control.

Presione el botón "G" para seleccionar el período de operación, cuando la pantalla LCD parpadee, presione el botón hacia arriba "D" o el botón hacia abajo "C" para seleccionar el rango de tiempo requerido. El rango de ajuste de tiempo es de 1-24 horas y puede ajustarse hacia arriba o hacia abajo en una hora. El parpadeo terminará pronto y la pantalla LED volverá a mostrar la temperatura ambiente esperada.

Función de inicio diferido:

- Configuración de retardo de encendido:

Apague el dispositivo y luego presione el botón "G", luego presione el botón arriba "D" o el botón abajo "C" para seleccionar el valor de tiempo requerido. El tiempo máximo de retraso de encendido es de 24 horas. El dispositivo se encenderá una vez transcurrido el tiempo de retraso.

- Configuración de retraso de apagado:

Encienda el dispositivo y luego presione el botón "G", luego presione el botón arriba "D" o el botón abajo "C" para seleccionar el valor de tiempo requerido. El tiempo máximo de retraso de apagado es de 24 horas. El dispositivo se apagará una vez transcurrido el tiempo de retraso.

## Operación del CONTROL REMOTO - imagen E

El control remoto transmite señales al sistema.

Botón "A": el aparato se iniciará cuando esté energizado o se detendrá cuando esté en funcionamiento, si presiona este botón.

Botón "B": presiónelo para seleccionar el modo de operación: modo frío → modo seco → modo ventilador.

Botón "C" / "D": presione para ajustar la temperatura ambiente y el temporizador.

Botón "E": presione para establecer o cancelar el modo de suspensión.

Botón "F": presiónelo para seleccionar la velocidad del ventilador en secuencia: velocidad del viento baja / alta.

Botón "G": presione para establecer el tiempo de funcionamiento de 1 a 24 horas.

## DISPOSITIVOS DE PROTECCIÓN

1. Función de protección contra heladas:

En modo de enfriamiento, deshumidificación o ahorro de energía económico, si la temperatura del tubo de escape

es demasiado baja, la máquina entrará automáticamente en estado de protección; Si la temperatura del tubo de escape se eleva a cierta temperatura, puede volver automáticamente al funcionamiento normal.

2. Función de protección de desbordamiento "M":

Cuando el agua en la bandeja de agua excede el nivel de advertencia, la máquina hará sonar automáticamente una alarma y la luz indicadora "FULL" "M" parpadeará. En este momento, drene el agua de acuerdo con las instrucciones de drenaje. Después de vaciar el agua, la máquina volverá automáticamente al estado original.

3. Función de protección del compresor

Para aumentar la vida útil del compresor, tiene una función de protección de arranque de retraso de 3 minutos después de apagar el compresor.

## INSTRUCCIONES DE DRENAJE:

Esta máquina tiene dos métodos de drenaje: drenaje manual y drenaje continuo.

1. Drenaje manual - imagen F1.

Cuando el dispositivo se detiene después de que el agua esté llena, verá en el panel de control que la lámpara de control "M" parpadea. Apague el dispositivo y desenchufe el cable de alimentación. Mueva la máquina con cuidado, para no derramar el agua en la bandeja de agua en la parte inferior del cuerpo. Coloque el recipiente de agua debajo de la salida de agua detrás de la carcasa. Desenrosque el orificio de drenaje del enfriador (8) y desenchufe el tapón de agua, el agua fluirá automáticamente al recipiente de agua. Mantenga la cubierta de drenaje y el tapón de agua correctamente. Durante el drenaje, el cuerpo puede inclinarse ligeramente hacia atrás. Si el contenedor de agua no puede retener toda el agua, antes de que esté lleno, llene la salida de agua con el tapón de agua lo antes posible para evitar que el agua fluya hacia el piso o la alfombra. Cuando se descarga el agua, rellene el tapón de agua y apriete la cubierta de drenaje.

2. Drenaje continuo - opción aplicable SOLO al modo de deshumidificación - se muestra en la imagen F2.

Desenrosque la cubierta de drenaje y desenchufe el tapón de agua. Coloque la tubería de drenaje (no incluida en el kit) en la salida de agua. Conecte la tubería de drenaje al balde.

## LIMPIEZA Y MANTENIMIENTO

Limpeza: antes de la limpieza y el mantenimiento, apague la máquina y desconecte el enchufe.

a) Limpieza de viviendas

Limpie con la superficie del dispositivo con un paño suave y húmedo. No use productos químicos, como benceno, alcohol, gasolina, de lo contrario, la superficie del dispositivo se dañará o incluso se dañará toda la máquina.

b) Limpieza del filtro EVA

Si la pantalla del filtro está obstruida con polvo y la eficacia del dispositivo se reduce, asegúrese de limpiar la pantalla del filtro una vez cada dos semanas.

- Limpie el marco de la pantalla del filtro superior - imagen G.

- Afloje un tornillo en la cubierta posterior y retire la malla del filtro EVA (5).

- Coloque el filtro en agua tibia con detergente neutro (aproximadamente 40 °C / 104 °F) y séquelo a la sombra después de enjuagarlo.

## ALMACENAMIENTO

1. Desenrosque la cubierta de drenaje, desenchufe el tapón de agua y descargue el agua de la bandeja de agua en otros recipientes de agua o incline directamente la carcasa para descargar el agua en otros recipientes.

2. Encienda el dispositivo, ajústelo al modo de ventilador de baja velocidad y mantenga este estado hasta que la tubería de drenaje (no incluida en el kit) se seque, para mantener el interior de la carcasa en un estado seco y evitar que se enmohezca.

3. Apague el dispositivo, retire el enchufe de la toma, instale el enchufe y drene la cubierta.

4. Retire los elementos del tubo de escape de aire.

5. Cubra el aire acondicionado con una bolsa de plástico. Coloque el aire acondicionado en un lugar seco, manténgalo fuera del alcance de los niños y tome medidas para controlar el polvo.

6. Retire las baterías del control remoto y guárdelas adecuadamente.

## SOLUCIÓN DE PROBLEMAS

No repare el dispositivo usted mismo. La reparación calificada anulará la garantía.

Problema I .: El aire acondicionado no funciona.

Razón 1: no hay electricidad. Entonces, enciéndalo después de conectarlo a un enchufe con electricidad.

Motivo 2: el indicador de desbordamiento muestra "FL". Entonces, descarga el agua.

Motivo 3: la temperatura ambiente es demasiado baja o demasiado alta. Por lo tanto, recomendamos utilizar el dispositivo a una temperatura de 7-35 °C (44-95 °F).

Razón 4: en el modo de enfriamiento, la temperatura ambiente es inferior a la temperatura establecida. Entonces, cambie la temperatura establecida.

Motivo 5: en modo seco, la temperatura ambiente es demasiado baja. Por lo tanto, el dispositivo debe colocarse en una habitación con una temperatura ambiente superior a 17 °C (62 °F).

Problema II .: El efecto de enfriamiento no es bueno.

Motivo 1: hay luz solar directa. Entonces, tira la cortina.

Razón 2: las puertas o ventanas están abiertas; hay mucha gente; o en modo de enfriamiento, hay otras fuentes de calor. Entonces, cierre puertas y ventanas, y agregue aire acondicionado nuevo.

Motivo 3: el filtro EVA está sucio. Entonces, límpialo.

Motivo 4: La entrada o salida de aire está bloqueada. Entonces, despejen las obstrucciones.

Problema III .: gran ruido

Motivo: el dispositivo no se coloca sobre una superficie plana. Por lo tanto, coloque el dispositivo en un lugar plano y duro para reducir el ruido.

Problema IV .: el compresor no funciona.

Motivo: comienza la protección contra sobrecalentamiento. Por lo tanto, espere 3 minutos hasta que baje la temperatura y luego reinicie la máquina.

Problema V .: El control remoto no funciona.

Motivo 1: la distancia entre la máquina y el control remoto es demasiado grande. Por lo tanto, deje que el control remoto se acerque al dispositivo y asegúrese de que el control remoto mire directamente al receptor de señal (I) en el panel de control.

Motivo 2: el control remoto no está alineado con la dirección del receptor del control remoto. Entonces, haz lo anterior.

Razón 3: las baterías están agotadas. Entonces, reemplace las baterías.

Problema VI .: Muestra 'E1'.

Motivo: el sensor de temperatura de la tubería es anormal. Por lo tanto, comuníquese con una organización de servicio autorizada.

Problema VII .: Muestra 'E2'

Motivo: el sensor de temperatura ambiente es anormal. Por lo tanto, póngase en contacto con la organización de servicio autorizada

Nota: Si se producen problemas que no figuran en la tabla o las soluciones recomendadas no funcionan, comuníquese con la organización de servicio profesional.

#### DATOS TÉCNICOS:

Capacidad de enfriamiento a BTU: 7000 BTU / hora

Capacidad de enfriamiento en vatios: 2060W

Consumo de energía (refrigeración) W: 792 W

Volumen: <= 65dB

Flujo de aire: 300 m3 / h

Clase energética: A

Temporizador: 24 horas.

Peso del refrigerante R290: máx. 130 gramos



Precaución, riesgo de incendio.

NO perforar ni quemar.

Tenga en cuenta que el refrigerante puede no contener olor.



Preocupación por el medio ambiente. Por favor, lleva las cajas de cartón a un sitio de reciclaje. Las bolsas de polietileno se deben tirar al cubo de la basura amarillo (para envases). El equipo gastado debe ser entregado en el punto de almacenamiento adecuado, porque las piezas que constituyen el equipo pueden suponer un peligro para el medio ambiente. Debes entregar el equipo Hay que devolver el equipo eléctrico con el fin de evitar su reutilización. Si en el equipo se encuentran pilas, hay que sacarlas y entregar por separado, en un punto de almacenamiento adecuado. No tires el equipo al contenedor para residuos urbanos!!

## CONDIÇÕES GERAIS DE SEGURANÇA

### INSTRUÇÕES IMPORTANTES DE SEGURANÇA LEIA COM ATENÇÃO E SALVE PARA O FUTURO

1. Antes de usar o dispositivo, leia o manual de operação e siga as instruções nele contidas. O fabricante não se responsabiliza por danos causados pelo uso do dispositivo contrário ao seu objetivo ou operação incorreta.
2. O dispositivo é apenas para uso doméstico. Não use para outros fins que não sejam para o fim a que se destina.
3. O dispositivo deve ser conectado apenas a uma tomada CA com 220 240V ~ 50Hz aterrada. Para aumentar a segurança operacional, vários dispositivos elétricos não devem ser conectados a um circuito de corrente ao mesmo tempo.
4. Tenha muito cuidado ao usar o dispositivo quando houver crianças por perto. Não permita que crianças brinquem com o dispositivo, não permita que crianças ou pessoas não familiarizadas com o dispositivo o usem.
5. AVISO: Este equipamento pode ser usado por crianças acima de 8 anos de idade e pessoas com habilidades físicas, sensoriais ou mentais limitadas, ou pessoas que não têm experiência ou conhecimento do equipamento, se isso for feito sob a supervisão de uma pessoa responsável. por sua segurança ou tenham recebido informações sobre o uso seguro do dispositivo e estão cientes dos perigos de usá-lo. As crianças não devem brincar com o equipamento. A limpeza e manutenção do dispositivo não devem ser realizadas por crianças, a menos que tenham mais de 8 anos e essas atividades sejam realizadas sob supervisão.
6. Sempre desconecte o plugue de energia segurando o soquete com a mão após o uso. NÃO puxe pelo cabo de alimentação.
7. Não mergulhe o cabo, plugue e todo o dispositivo em água ou qualquer outro líquido. Não exponha o dispositivo a condições atmosféricas (chuva, sol, etc.) ou use em condições de alta umidade (banheiros, casas móveis úmidas).
8. Verifique periodicamente as condições do cabo de alimentação. Se o cabo de alimentação estiver danificado, ele deverá ser substituído por uma oficina especializada para evitar perigos.
9. Não use o aparelho com um cabo de alimentação danificado ou se ele caiu ou foi danificado de qualquer outra maneira ou se não estiver funcionando corretamente. Não repare o dispositivo, pois existe o risco de choque elétrico. Leve o dispositivo danificado a um centro de serviço apropriado para verificação ou reparo. Todos os reparos podem ser realizados apenas por pontos de serviço autorizados. Reparos executados incorretamente podem causar sérios perigos ao usuário.
10. Coloque o dispositivo em uma superfície fria e estável, longe de utensílios de cozinha quentes, como: fogão elétrico, queimador de gás, etc.
11. Certifique-se de que nada esteja bloqueando a entrada e saída de ar do dispositivo



12. Use o dispositivo apenas em uma superfície nivelada para evitar que a condensação se espalhe
13. Para fornecer proteção adicional, é aconselhável instalar um dispositivo de corrente residual (RCD) no circuito elétrico com uma corrente residual nominal que não exceda 30mA. Peça a um electricista para isso.
14. Limpe o filtro de ar regularmente. A frequência da limpeza depende da limpeza do ar.
15. Depois de desligar a máquina, aguarde pelo menos 5 minutos antes de ligá-la novamente.
16. Não use o dispositivo em locais ensolarados. Quando o dispositivo superaquece, a proteção contra superaquecimento liga o dispositivo.
17. Para garantir um resfriamento eficaz, deve-se manter uma distância de pelo menos 50 cm entre as paredes laterais do dispositivo e a parede ou móveis ou cortinas.
18. Devido ao desempenho limitado do dispositivo, se a diferença entre a temperatura alvo e a temperatura ambiente for muito alta, a temperatura alvo poderá não ser alcançada.
19. Para reduzir o risco de incêndio, choque elétrico ou lesão ao usar o ar condicionado, observe as seguintes precauções básicas:
  - a) Conecte a uma tomada aterrada com 3 pinos.
  - b) Não remova o pino de aterramento.
  - c) Não use o adaptador.
  - d) Não use um cabo de extensão.
  - e) Desconecte o ar condicionado antes de fazer a manutenção.
  - f) Use duas ou mais pessoas para mover e instalar o ar condicionado.
20. Não use agentes que acelerem o processo de degelo ou limpeza, além dos recomendados pelo fabricante.
21. O dispositivo deve ser armazenado em uma sala sem fontes de ignição em operação constante, por exemplo: fogo aberto, eletrodomésticos a gás ou aquecedores elétricos.

#### Descrição do dispositivo - Figura A

- |  |  |
|--|--|
| 1. Pannel de controle                          | 2. Saida de ar frio                          |
| 3. Controle remoto (figura E)                  | 4. Alça de transporte                        |
| 5. Entrada do evaporador com filtro EVA        | 6. Tubo de exaustão de ar                    |
| 7. Orifício de drenagem do resfriador superior | 8. Orifício de drenagem do resfriador abaixo |
| 9. Adaptador de escape da janela               | 10. Conector do tubo de escape de ar         |

#### Descrição do painel de controle - Figura D.

- |  |   |
|--|---|
| A. Botão liga / desliga  | B. Botão Modo                                 |
| C. Botão para baixo temporizador / temperatura                                       | D. Botão para cima temporizador / temperatura |
| E. Botões do modelo de suspensão (D & F pressionados juntos no modo de refrigeração) | F. Botão da velocidade do ventilador          |
| G. Botão do temporizador   | H. Tela de LED                                |
| I. Receptor de sinal para o controle remoto  | J. Lâmpada de controle de modo frio           |
| K. Lâmpada de controle do modo seco  | L. Lâmpada de controle do modo de ventilador  |
| M. Lâmpada de controle de água completa  | N. Lâmpada de controle do modo de suspensão   |
| O. Ligar / desligar a lâmpada de controle  | P. Lâmpada de controle de tempo               |
| Q. lâmpada de controle de temperatura  |   |

#### Controle remoto - Foto E

- |  |   |
|--|---|
| A. Botão liga / desliga                        | B. Botão Modo                                 |
| C. Botão para baixo temporizador / temperatura | D. Botão para cima temporizador / temperatura |
| E. Modelo de suspensão                         | F. Botão de velocidade do ventilador          |
| G. Botão do temporizador                       |   |

### Operação do PAINEL DE CONTROLE - foto D

Pressione o botão "A" para ligar e desligar a máquina, a campainha tocará o sinal uma vez. A lâmpada de controle "O" acenderá no painel de controle.

Pressione o botão "B" para alternar entre o modo de refrigeração → modo de ventilador → modo de desumidificação.

Pressione o botão "D / C" Para cima / Para baixo para alterar a temperatura ou o tempo de configuração, opere da seguinte forma:

- Enquanto define a temperatura, pressione o botão para cima ou para baixo para selecionar a temperatura desejada (não disponível no modo de ventilador ou desumidificação).
- Enquanto define a hora, pressione o botão para cima ou o botão para baixo para selecionar o tempo necessário.

Pressione o botão „F" para selecionar a velocidade do ventilador:

- No modo de refrigeração e ventilação, pressione o botão "F" para selecionar a operação de velocidade do vento alta ou baixa. Em condições muito frias, pode não funcionar de acordo com a velocidade do vento definida.
- No modo desumidificador, pressionar o botão "F" é inválido e o ventilador escolherá forçosamente a operação com baixa velocidade do vento.

Pressione o botão "E" para selecionar o modo de suspensão:

- No modo de resfriamento, pressione os dois botões "F" e "D" para ativar o modo de suspensão. A unidade funcionará no tipo de economia de energia e silencioso. A lâmpada de controle do modelo de suspensão "N" acenderá no painel de controle.

Pressione o botão "G" para selecionar o período de operação; quando a tela LCD piscar, pressione o botão para cima "D" ou o botão para baixo "C" para selecionar o intervalo de tempo necessário. A faixa de ajuste de tempo de 1 a 24 horas e pode ser ajustada para cima ou para baixo em uma hora. O piscar terminará em breve e a tela do LED retornará para mostrar a temperatura ambiente esperada.

Atraso na função de início:

- Configuração de atraso de inicialização:

Desligue o dispositivo e pressione o botão "G", depois pressione o botão para cima "D" ou o botão para baixo "C" para selecionar o valor do tempo necessário. O tempo máximo de atraso na energia é de 24 horas. O dispositivo será ligado após o tempo de atraso.

- Configuração do atraso do desligamento:

Ligue o dispositivo e pressione o botão "G", depois pressione o botão para cima "D" ou o botão para baixo "C" para selecionar o valor do tempo necessário. O tempo máximo de atraso de desligamento é de 24 horas. O dispositivo será desligado após o tempo de atraso.

### Operação do CONTROLE REMOTO - foto E

O controle remoto transmite sinais para o sistema.

Botão "A" - o aparelho será iniciado quando estiver energizado ou será parado quando estiver em operação, se você pressionar este botão.

Botão "B" - pressione para selecionar o modo de operação: modo frio → modo seco → modo ventilador.

Botão "C" / "D" - pressione para ajustar a temperatura ambiente e o temporizador.

Botão "E" - pressione para definir ou cancelar o modo de suspensão.

Botão "F" - pressione para selecionar a velocidade do ventilador em sequência: velocidade do vento baixa / alta.

Botão "G" - pressione para definir o tempo de operação de 1 a 24 horas.

### DISPOSITIVOS DE PROTEÇÃO

#### 1. Função de proteção contra geada:

No modo de resfriamento, desumidificação ou economia de energia, se a temperatura do tubo de escape estiver muito baixa, a máquina entrará automaticamente no status de proteção; se a temperatura do tubo de escape subir para uma certa temperatura, ele pode voltar automaticamente à operação normal.

#### 2. Função de proteção contra transbordamento "M":

Quando a água no reservatório de água excede o nível de aviso, a máquina emite um alarme automaticamente e a luz indicadora "FULL" "M" pisca. Neste momento, drene a água de acordo com as instruções de drenagem. Depois que a água é esvaziada, a máquina retornará automaticamente ao estado original.

### 3. Função de proteção do compressor

Para aumentar a vida útil do compressor, ele possui uma função de proteção de inicialização de atraso de 3 minutos após o desligamento do compressor.

## INSTRUÇÕES DE DRENAGEM:

Esta máquina possui dois métodos de drenagem: drenagem manual e drenagem contínua.

### 1. Drenagem manual - figura F1.

Quando o dispositivo para depois que a água está cheia, você vê no painel de controle a lâmpada de controle "M" piscando. Desligue o dispositivo e desconecte o plugue de energia. Mova a máquina com cuidado, para não derramar a água na panela de água na parte inferior do corpo. Coloque o recipiente de água abaixo da saída de água atrás da caixa. Desaparafuse o orifício de drenagem do resfriador (8) e desconecte o bujão de água, a água fluirá automaticamente para o recipiente de água. Mantenha a tampa de drenagem e o bujão de água adequadamente. Durante a drenagem, o corpo pode ser inclinado levemente para trás. Se o reservatório de água não puder reter toda a água, antes que o reservatório esteja cheio, encha a saída de água com o bujão de água o mais rápido possível para impedir que a água flua para o chão ou o tapete. Quando a água estiver descarregada, encha o bujão de água e aperte a tampa de drenagem.

### 2. Drenagem contínua - opção aplicável apenas ao modo desumidificador - mostrado na figura F2.

Desaparafuse a tampa de drenagem e desconecte o plugue de água. Coloque o tubo de drenagem (não incluído no kit) na saída de água. Conecte o tubo de drenagem ao balde.

## LIMPEZA E MANUTENÇÃO

Limpeza: antes da limpeza e manutenção, desligue a máquina e desconecte o plugue.

### a) Limpeza da caixa

Limpe com a superfície do dispositivo com um pano macio e úmido. Não use produtos químicos, como benzeno, álcool, gasolina, caso contrário, a superfície do dispositivo será danificada ou até a máquina inteira será danificada.

### b) Limpeza do filtro EVA

Se a tela do filtro estiver entupida de poeira e a eficácia do dispositivo for reduzida, limpe a tela do filtro a cada duas semanas.

- Limpe a moldura da tela do filtro superior - figura G.

- Solte um parafuso na tampa traseira e remova a tela do filtro EVA (5).

- Coloque o filtro em água morna com detergente neutro (cerca de 40 °C / 104 °F) e seque-o à sombra após enxaguar.

## ARMAZENAMENTO

1. Desaparafuse a tampa de drenagem, desconecte o bujão de água e descarregue a água na panela de água para outros recipientes de água ou incline diretamente o alojamento para descarregar a água em outros recipientes.

2. Ligue o dispositivo, ajuste-o para o modo de ventilador de baixa velocidade e mantenha esse estado até o tubo de drenagem (não incluído no kit) secar, de modo a manter o interior da caixa em estado seco e impedir que ele desça. .

3. Desligue o dispositivo, remova o plugue da tomada, instale o plugue e a tampa de drenagem.

4. Remova os elementos do tubo de exaustão de ar.

5. Cubra o ar condicionado com um saco plástico. Coloque o ar condicionado em um local seco, mantenha-o fora do alcance de crianças e tome medidas de controle de poeira.

6. Remova as pilhas do controle remoto e mantenha-as adequadamente.

## SOLUÇÃO DE PROBLEMAS

Não repare o dispositivo você mesmo. O reparo qualificado anulará a garantia.

Problema I: o ar condicionado não funciona.

Razão 1: Não há eletricidade. Então, ligue-o depois de conectá-lo a um soquete com eletricidade.

Razão 2: O indicador de estouro exibe "FL". Então, descarregue a água.

Razão 3: a temperatura ambiente está muito baixa ou muito alta. Portanto, recomenda-se usar o dispositivo na temperatura de 7-35 °C (44-95 °F).

Razão 4: No modo de resfriamento, a temperatura ambiente é menor que a temperatura definida. Então, mude a temperatura definida.

Razão 5: No modo seco, a temperatura ambiente está muito baixa. Portanto, o dispositivo deve ser colocado em uma sala com temperatura ambiente superior a 17 °C (62 °F).

Problema II.: O efeito de resfriamento não é bom.

Razão 1: existe luz solar direta. Então, puxe a cortina.

Razão 2: portas ou janelas estão abertas; há muita gente; ou no modo de resfriamento, existem outras fontes de calor. Portanto, feche as portas e janelas e adicione um novo ar-condicionado.

Razão 3: O filtro EVA está sujo. Então limpe-o.

Razão 4: A entrada ou saída de ar está bloqueada. Então, limpe as obstruções.

Problema III.: grande ruído

Motivo: o dispositivo não está colocado em uma superfície plana. Portanto, coloque o dispositivo em um local plano e duro para reduzir o ruído.

Problema IV: O compressor não funciona.

Razão: A proteção contra superaquecimento é iniciada. Portanto, aguarde 3 minutos até a temperatura baixar e, em seguida, reinicie a máquina.

Problema V.: O controle remoto não funciona.

Razão 1: a distância entre a máquina e o controle remoto é muito grande. Portanto, deixe o controle remoto se aproximar do dispositivo e verifique se ele está voltado diretamente para o receptor de sinal (I) no painel de controle.

Razão 2: O controle remoto não está alinhado com a direção do receptor do controle remoto. Então, faça como acima.

Razão 3: As pilhas estão gastas. Então, troque as pilhas.

Problema VI: exibe 'E1'.

Razão: O sensor de temperatura do tubo está anormal. Portanto, entre em contato com uma organização de serviço autorizada.

Problema VII: exibe 'E2'

Motivo: o sensor de temperatura ambiente está anormal. Portanto, entre em contato com a organização de serviço autorizada.

Nota: Se ocorrerem problemas não listados na tabela ou as soluções recomendadas não funcionarem, entre em contato com a organização de serviços profissionais.

#### DADOS TÉCNICOS:

Capacidade de refrigeração em BTU: 7000 BTU / hora

Capacidade de refrigeração em watts: 2060W

Consumo de energia (refrigeração) W: 792 W

Volume: <= 65dB

Fluxo de ar: 300 m<sup>3</sup> / h

Classe energética: A

Temporizador: 24 horas

Peso do líquido de refrigeração R290: máx. 130 gramas



Cuidado, risco de incêndio.

NÃO fure ou queime.

Esteja ciente de que o refrigerante pode não conter odor.



Proteção do meio ambiente. Rogamos, os embalagens de cartão destinem-se para papéis velhos. Os sacos de polietileno (PE) devem-se colocar em contenedores para material plástico. O dispositivo usado deve-se levar a um ponto de armazenamento adequado porque os componentes perigosos que ficam dentro do dispositivo podem ser perigosos para o meio ambiente. O dispositivo elétrico deve-se entregar de modo que se reduza a sua nova utilização e uso. Se no dispositivo há pilhas, devem-se tirar e levar a um ponto de armazenamento em separado. Não colocar o dispositivo em contenedores para resíduos municipais!!

## BENDROSIOS SAUGOS SĄLYGOS

SVARBIOS SAUGOS INSTRUKCIJOS ATSARGIAI Perskaitykite ir išsaugokite ateičiai

1. Prieš naudodamiesi prietaisu, perskaitykite naudojimo vadovą ir vykdykite jame pateiktas instrukcijas. Gamintojas neatsako už žalą, padarytą naudojant įrenginį ne pagal paskirtį ar netinkamai naudojant.
2. Prietaisas skirtas naudoti tik namuose. Nenaudokite kitiems tikslams, kurie nėra numatyti.
3. Prietaisą reikia prijungti tik prie įžeminto 220 240 V ~ 50 Hz lizdo. Norint padidinti eksploataavimo saugą, keli elektros prietaisai neturėtų būti jungiami prie vienos srovės grandinės tuo pačiu metu.
4. Būkite ypač atsargūs naudodamiesi prietaisu, kai šalia yra vaikai. Neleiskite vaikams žaisti su šiuo prietaisu, neleiskite vaikams ar žmonėms, nepažįstamiems prietaiso, juo naudotis.
5. ĮSPĖJIMAS: Šia įrangą gali naudotis vyresni nei 8 metų vaikai ir ribotų fizinių, jutimo ar protinių galimybių žmonės arba žmonės, neturintys patirties ar žinių apie įrangą, jei tai atliekama prižiūrint atsakingam asmeniui. Jų saugumui ar jiems buvo suteikta informacija apie saugų prietaiso naudojimą ir žino apie jo naudojimo pavojus. Vaikai neturėtų žaisti su įrangą. Valyti ir prižiūrėti prietaisą neturėtų vaikai, išskyrus tuos atvejus, kai jie yra vyresni nei 8 metų, o šios veiklos atliekamos prižiūrint.
6. Po naudojimo visada atjunkite maitinimo kištuką, laikydami už rankos lizdą. **NENUDIRKITE** maitinimo laido.
7. Nemerkite laido, kištuko ir viso prietaiso į vandenį ar kitą skystį. Saugokite prietaisą nuo atmosferos sąlygų (lietaus, saulės ir pan.) Ir nenaudokite didelės drėgmės sąlygomis (vonios kambariai, drėgni mobilūs namai).
8. Periodiškai tikrinkite maitinimo laido būklę. Jei maitinimo laidas yra pažeistas, jį reikia pakeisti specializuotoje remonto dirbtuvėje, kad būtų išvengta pavojaus.
9. Nenaudokite prietaiso su pažeistu maitinimo laidu, jei jis buvo numestas ar kitaip pažeistas, arba jis veikia netinkamai. Netaisykite prietaiso patys, nes kyla elektros smūgio rizika. Nuvežkite sugadintą prietaisą į tinkamą aptarnavimo centrą patikrinti ar pataisyti. Visus remonto darbus gali atlikti tik įgalioti techninės priežiūros punktai. Neteisingai atliktas remontas gali sukelti rimtą pavojų vartotojui.
10. Padėkite prietaisą ant vėsių, stabilių paviršių, atokiau nuo karštų virtuvės prietaisų, tokių kaip: elektrinė viryklė, dujinis degiklis ir kt.
11. Įsitikinkite, kad niekas neužstoja prietaiso oro įleidimo ir išleidimo angos
12. Naudokite prietaisą tik ant lygaus paviršiaus, kad nesusidarytų kondensatas
13. Norint užtikrinti papildomą apsaugą, patartina į elektros grandinę įmontuoti likutinės srovės įtaisą (RCD), kurio vardinė likutinė srovė neviršytų 30mA. Dėl to kreipkitės į elektriką.
14. Reguliariai valykite oro filtrą. Valymo dažnumas priklauso nuo oro švara.
15. Išjungę mašiną, prieš vėl įjungdami, palaukite bent 5 minutes.

16. Nenaudokite prietaiso saulėtose vietose. Kai prietaisas perkaista, apsauga nuo perkaitimo įjungs įrenginį.
17. Kad būtų užtikrintas efektyvus aušinimas, tarp prietaiso šoninių sienelių ir sienos, baldų ar užuolaidų turėtų būti laikomas ne mažesnis kaip 50 cm atstumas.
18. Dėl riboto prietaiso veikimo, jei tikslinės ir aplinkos temperatūros skirtumas yra per didelis, tikslinė temperatūra gali būti nepasiekta.
19. Norėdami sumažinti gaisro, elektros smūgio ar sužeidimo riziką, kai naudojate oro kondicionierių, laikykitės šių pagrindinių atsargumo priemonių:
- Prijunkite prie įžeminto lizdo 3 kaiščiais.
  - Nenuimkite įžeminimo gnybto.
  - Nenaudokite adapterio.
  - Nenaudokite ilgintuvo.
  - Prieš atlikdami techninę priežiūrą, atjunkite oro kondicionierių.
  - Norėdami perkelti ir sumontuoti oro kondicionierių, naudokite du ar daugiau žmonių.
20. Nenaudokite agentų, kurie pagreitina atitirpinimo ar valymo procesą, išskyrus tuos, kuriuos rekomenduoja gamintojas.
21. Prietaisą reikia laikyti kambaryje, kuriame nėra nuolat veikiančių uždegimo šaltinių, pavyzdžiui: atvira ugnis, dujiniai prietaisai ar elektriniai šildytuvai.

[renginio aprašymas - A paveikslas

- |   |  |
|---|--|
| 1. Valdymo pultas                           | 2. Šalto oro išleidimo anga              |
| 3. Nuotolinio valdymo pultas (E paveikslas) | 4. Transportavimo rankena                |
| 5. Garintuvo įėjimas su EVA filtru.         | 6. Oro išmetimo vamzdis                  |
| 7. Viršutinė aušintuvo kanalizacijos anga   | 8. Žemutinė aušintuvo kanalizacijos anga |
| 9. Lango išmetimo adapteris                 | 10. Oro išmetimo vamzdžio jungtis        |

Valdymo skydo aprašymas - D paveikslas.

- |   |   |
|---|---|
| A. Maitinimo mygtukas   | B. Režimo mygtukas                              |
| C. Laikmačio / temperatūros mažinimo mygtukas                     | D. Laikmačio / temperatūros padidinimo mygtukas |
| E. Miego modelio mygtukai (D & F aušinimo režimu paspausti kartu) | F. Ventilatoriaus greičio mygtukas              |
| G. Laikmačio mygtukas   | H. LED ekranas                                  |
| I. Nuotolinio valdymo pulto signalo receptoriai                   | J. Aušinimo režimo valdymo lemputė              |
| K. Kontrolinė lemputė sausuojų režimu.                            | L. Ventilatoriaus režimo kontrolinė lemputė     |
| M. Pilno vandens kontrolinė lemputė                               | N. Miego režimo kontrolinė lemputė              |
| O. Kontrolinės lemputės įjungimas / išjungimas                    | P. Laiko kontrolės lemputė                      |
| Q. temperatūros kontrolės lemputė                                 |   |

Nuotolinio valdymo pultas - E paveikslas

- |   |   |
|---|---|
| A. Maitinimo mygtukas                         | B. Režimo mygtukas                              |
| C. Laikmačio / temperatūros mažinimo mygtukas | D. Laikmačio / temperatūros padidinimo mygtukas |
| E. Miego modelis                              | F. Ventilatoriaus greičio mygtukas              |
| G. Laikmačio mygtukas                         |   |

Valdymo pulto veikimas - D paveikslas

Paspauskite mygtuką „A“, kad įjungtumėte ir išjungtumėte aparatą, švilpukas pasigirs signalą vieną kartą. Valdymo pultas „O“ įsijungs.

Paspauskite mygtuką „B“, kad perjungtumėte režimą iš vieno į kitą į vėsinimo režimą → ventilatoriaus režimą → sausinimo režimą.

Paspauskite mygtuką „D / C“ aukštyn / žemyn, norėdami pakeisti nustatymo temperatūrą ar laiko trukmę, atlikite šiuos veiksmus:

- Kol nustatote temperatūrą, paspauskite mygtuką aukštyn arba žemyn, kad pasirinktumėte reikiamą temperatūrą (negalima ventilatoriaus ar oro sausinimo režime).

- Nustatydami laiką, paspauskite aukštyn arba žemyn mygtukus, kad pasirinktumėte reikiamą laiką.

Paspauskite mygtuką „F“, kad pasirinktumėte ventilatoriaus greitį:

- Vėsinimo ir ventilatoriaus režime paspauskite mygtuką „F“, kad pasirinktumėte veikimą dideliu ar mažu vėjo greičiu. Per šaltomis sąlygomis jis gali važiuoti ne pagal nustatytą vėjo greitį.
- Sausinimo režime paspausti mygtuką „F“ yra neteisinga, o ventilatorius priverstinai pasirenka mažo vėjo greičio režimą.

Paspauskite mygtuką „E“, kad pasirinktumėte miego režimą:

- Šaldymo režime paspauskite abu mygtukus „F“ ir „D“, kad įjungtumėte miego režimą, tada įrenginys veiks energiją taupančiu ir tyliu veidu. Miego modelio valdymo lemputė „N“ įsijungs valdymo skydelyje.

Paspauskite mygtuką „G“, kad pasirinktumėte veikimo periodą, kai LCD ekranas mirksi, paspauskite aukštyn mygtuką „D“ arba žemyn mygtuką „C“, kad pasirinktumėte reikiamą laiko intervalą. Laiko nustatymo intervalas 1–24 valandos ir gali būti padidintas arba sumažintas viena numanda. Mirksėjimas greitai baigsis ir LED ekranas vėl rodys numatomą aplinkos temperatūrą.

Paleidimo pradžios funkcija:

- Įjungimo delsos nustatymas:

Išjunkite įrenginį ir paspauskite mygtuką „G“, tada paspauskite aukštyn mygtuką „D“ arba žemyn mygtuką „C“, kad pasirinktumėte reikiamą laiko vertę. Maksimalus įjungimo atidėjimo laikas yra 24 valandos. Įrenginys bus įjungtas pasibaigus vėlavimo laikui.

- Maitinimo išjungimo vėlinimo nustatymas:

Išjunkite įrenginį ir paspauskite mygtuką „G“, tada paspauskite aukštyn mygtuką „D“ arba žemyn mygtuką „C“, kad pasirinktumėte reikiamą laiko vertę. Maksimalus išjungimo delsos laikas yra 24 valandos. Prietaisas bus išjungtas pasibaigus vėlavimo laikui.

Nuotolinio valdiklio veikimas - E paveikslas

Nuotolinis valdiklis perduoda signalus į sistemą.

Mygtukas „A“ - prietaisas bus įjungtas, kai jis bus įjungtas, arba bus sustabdytas, kai jis veiks, jei paspausite šį mygtuką.

Mygtukas „B“ - paspauskite jį norėdami pasirinkti darbo režimą: vėsos režimas → sausas režimas → ventilatoriaus režimas.

Mygtukas „C“ / „D“ - paspauskite, kad sureguliuotumėte kambario temperatūrą ir laikmatį.

Mygtukas „E“ - paspauskite, jei norite nustatyti arba atšaukti miego režimą.

Mygtukas „F“ - paspauskite jį, kad pasirinktumėte ventilatoriaus greitį iš eilės: žemas / didelis vėjo greitis.

Mygtukas „G“ - paspauskite, kad nustatytumėte veikimo laiką nuo 1 iki 24 valandų.

## APSAUGOS PRIETAISAI

1. Apsaugos nuo užšalimo funkcija:

Jei aušinimo, sausinimo arba ekonominio energijos taupymo režimas, jei išmetimo vamzdžio temperatūra yra per žema, mašina automatiškai įgis apsaugos būseną; Jei išmetimo vamzdžio temperatūra pakyla iki tam tikros temperatūros, jis gali automatiškai grįžti į normalų režimą.

2. Apsaugos nuo perpildymo funkcija „M“:

Kai vanduo vandens telkinyje viršija įspėjamąjį lygį, mašina automatiškai pasigirs aliarmas ir mirksės „FULL“ indikatorius lemputė „M“. Šiuo metu nusauskinkite vandenį pagal kanalizacijos instrukcijas. Išleidus vandenį mašina automatiškai grįš į pradinę būseną.

3. Kompresoriaus apsaugos funkcija

Norėdami pailginti kompresoriaus tarnavimo laiką, jis turi 3 minučių apsaugos nuo paleidimo pradžios funkciją, kai kompresorius yra išjungtas.

## NUSTATYMO INSTRUKCIJA:

Ši mašina turi du drenažo būdus: rankinį ir nuolatinį drenažą.

1. Rankinis kanalizacija - F1 paveikslas.

Kai prietaisas sustos, kai vanduo pilnas, valdymo pulte pamatysite, kad mirksi „M“ kontrolinė lemputė. Išjunkite įrenginio maitinimą ir atjunkite maitinimo kištuką. Atsargiai judėkite mašina, kad vandens apačioje, esančioje kūno apačioje, nepatektų vandens. Vandens talpyklą pastatykite žemiau vandens išleidimo angos už korpuso. Atsukite apatinę aušintuvo kanalizacijos angą (8) ir ištraukite vandens kištuką, vanduo automatiškai tekės į vandens indą. Tinkamai laikykite kanalizacijos dangtį ir vandens kamštį. Drenažo metu kūną galima šiek tiek pakreipti atgal. Jei vandens rezervuaras negali išlaikyti viso vandens, prieš pildant vandens indą, kuo greičiau užpildykite vandens išleidimo angą vandens kištuku, kad vanduo nepatektų ant grindų ar kilimo. Kai vanduo išleidžiamas, užkimškite vandens kamštį ir priveržkite kanalizacijos dangtį.

2. Nepertraukiamas drenažas - parinktis taikoma TIK sausinimo režimui - parodyta F2 paveikslėlyje.

Atsukite kanalizacijos dangtį ir atjunkite vandens kištuką. Įleiskite kanalizacijos vamzdį (neįeina į komplektą) į vandens išleidimo angą. Prijunkite kanalizacijos vamzdį prie kibiro.

## VALYMAS IR PRIEŽIŪRA

Valymas: prieš valymą ir priežiūrą išjunkite mašiną ir atjunkite kištuką.

a) Būsto valymas

Valykite prietaiso paviršių šlapiu minkšta šluoste. Nenaudokite chemikalų, tokių kaip benzenas, alkoholis, benzinas, kitaip pažeisite prietaiso paviršių ar net visą mašiną.

b) EVA filtrų valymas

Jei filtro ekranas yra užkimštas dulkėmis, o prietaiso efektyvumas sumažėja, būtinai valykite filtro ekraną kartą per dvi savaites.

- Nuvalykite viršutinį filtro ekrano rėmą - G nuotrauka

- Atsukite vieną galinio dangtelio varžtą ir nuimkite EVA filtro tinklėlį (5).

- Įdėkite filtrą į šiltą vandenį su neutraliu plovikliu (apie 40 °C / 104 °F) ir išdžiovinkite jį šešėlyje.

## LAIKYMAS

1. Atsukite kanalizacijos dangtį, ištraukite vandens kištuką ir išleiskite vandenį vandens talpykloje į kitas vandens talpyklas arba tiesiogiai pakreipkite korpusą, kad išleistumėte vandenį į kitus indus.

2. Įjunkite prietaisą, nustatykite jį į mažo greičio ventiliatoriaus režimą ir palaukite šią būseną, kol kanalizacijos vamzdis (neįtrauktas į komplektą) išdžius, kad korpuso vidus liktų sausas ir jis negalėtų formuotis. .

3. Išjunkite prietaisą, ištraukite kištuką iš lizdo, įstatykite kištuką ir kanalizacijos dangtį.

4. Nuimkite oro išmetimo vamzdžio elementus.

5. Uždenkite oro kondicionierių plastikiniu maišeliu. Padėkite oro kondicionierių sausoje vietoje, laikykite jį vaikams nepasiekiamoje vietoje ir imkitės dulkių kontrolės priemonių.

6. Išimkite nuotolinio valdymo pulto baterijas ir laikykite jas tinkamai.

## PROBLEMŲ SPRENDIMAS

Netaisykite prietaiso patys. Kvalifikuotas remontas negalioja.

I problema: oro kondicionierius neveikia.

1 priežastis: nėra elektros. Taigi, įjunkite jį, prijungę jį prie elektros lizdo.

2 priežastis: perpildymo indikatorius rodo „FL“. Taigi, išleisk vandenį.

3 priežastis: aplinkos temperatūra yra per žema arba per aukšta. Taigi, rekomenduokite prietaisą naudoti 7–35 °C (44–95 °F) temperatūroje.

4 priežastis: vėsinimo režime kambario temperatūra yra žemesnė už nustatytą. Taigi, pakeiskite nustatytą temperatūrą.

5 priežastis: esant sausam režimui, aplinkos temperatūra yra per žema. Taigi, prietaisą reikia pastatyti kambaryje, kurio aplinkos temperatūra yra didesnė kaip 17 °C (62 °F).

II problema: aušinimo poveikis nėra geras.

1 priežastis: Yra tiesioginių saulės spindulių. Taigi, patraukite užuolaidą.

2 priežastis: durys ar langai yra atviri; yra daug žmonių; arba aušinimo režimu yra ir kitų šilumos šaltinių. Taigi uždarykite duris ir langus bei įdėkite naują oro kondicionierių.

3 priežastis: EVA filtras yra nešvarus. Taigi, išvalykite.

4 priežastis: oro įleidimo ar išleidimo anga yra užblokuota. Taigi, pašalinkite kliūtis.

III problema: didelis triukšmas

Priežastis: įrenginys nėra pastatytas ant lygaus paviršiaus. Taigi, padėkite prietaisą ant plokščios ir kietos vietos,



kad sumažinātumēte triukšmā.

IV problēma: kompresorius neveikta.

Priežastis: Prasīdēda apsāuga nuo perkaitīmo. Taīgi palāukīte 3 minūtes, kol sumažēs temperatūra, tādā paleīskīte mašīnā īš naujo.

V problēma. Nuotolinio valdymo pultas neveikta.

1 priežastis: atstumas tarp mašinos ir nuotolinio valdymo pulto yra per didelis. Taigi, leiskite nuotolinio valdymo pultui priartėti prie įrenginio ir įsitikinkite, kad nuotolinio valdymo pultas tiesiogiai nukreiptas į signalo imtuvą (I) valdymo pulte.

2 priežastis: nuotolinio valdymo pultas nėra suderintas su nuotolinio valdymo imtuvo kryptimi. Taigi darykite taip, kaip aprašyta aukščiau.

3 priežastis: Baterijos yra išseikvotos. Taigi, pakeiskite baterijas.

VI problēma: rodo „E1“.

Priežastis: vamzdžio temperatūros jutiklis yra nenormalus. Taigi, susisiekite su įgaliota aptarnavimo organizacija.

VII problēma: rodomas „E2“

Priežastis: kambario temperatūros jutiklis yra nenormalus. Taigi, susisiekite su įgaliota aptarnavimo organizacija.

Pastaba: Jei kyla problemų, neišvardytų lentelėje, arba rekomenduojami sprendimai neveikia. kreinkitės į profesionalų aptarnavimo organizaciją.

#### TECHNINIAI DUOMENYS:

Aušinimo galia BTU: 7000 BTU / val

Aušinimo galia vatais: 2060W

Energijos sąnaudos (aušinimas) W: 792 W

Tūris: <= 65 dB

Oro srautas: 300 m3 / h

Energijos klasė: A

Laikmatis: 24 valandos

R290 aušinimo skysčio svoris: maks. 130 gramų



Atsargiai, gaisro pavojus.  
NEGALIMA pradurti ir nedeginti.  
Atminkite, kad šaltnešis neturi kvapo.



Rūpinantis aplinka. Kartono pakuotes atiduoti į makulatūrą. Polietileno (PE) maišelius mesti į plastikui skirtą konteinerį. Susidėvėjusį prietaisą atiduoti į atitinkamą atliekų surinkimo vietą, nes prietaise esančios pavojingos medžiagos gali kelti grėsmę aplinkai. Elektrinį prietaisą atiduoti tokį, kad nebūtų galima jo pakartotinai naudoti ir panaudoti. Jeigu prietaise yra baterijos, būtina jas išimti ir atskirai atiduoti į atliekų surinkimo vietą. Nemesti prietaiso į buitinių atliekų konteinerį!

## LATVIEŠU

### VISPĀRĪGIE DROŠĪBAS NOSACĪJUMI

#### SVARĪGAS DROŠĪBAS INSTRUKCIJAS RŪPĪGI LASĪT UN SAUDZĒT NĀKOTNĒM

1. Pirms ierīces izmantošanas izlasiet lietošanas instrukciju un ievērojiet tajā sniegtos norādījumus. Izgatavotājs nav atbildīgs par zaudējumiem, kas radušies, izmantojot ierīci pretēji paredzētajam mērķim vai nepareizu darbību.
2. Ierīce paredzēta tikai lietošanai mājās. Nelietojiet citiem mērķiem, kas nav paredzēti paredzētajam mērķim.
3. Ierīce jāpievieno maiņstrāvas kontaktligzdai tikai ar iezemētu 220 240 V ~ 50 Hz. Lai palielinātu ekspluatācijas drošību, vairākas elektriskās ierīces nedrīkst būt savienotas vienā strāvas ķēdē vienlaikus.
4. Esiet īpaši piesardzīgs, lietojot ierīci, kad tuvumā ir bērni. Neļaujiet bērniem spēlēties ar ierīci, neļaujiet to lietot bērniem vai cilvēkiem, kuri to nepazīst.
5. BRĪDINĀJUMS. Šo aprīkojumu var izmantot bērni, kas vecāki par 8 gadiem, un cilvēki ar ierobežotām fiziskām, maņu vai garīgajām spējām vai cilvēki, kuriem nav pieredzes vai zināšanu par šo aprīkojumu, ja tas tiek veikts atbildīgas personas uzraudzībā. Viņu drošībai

vai viņiem ir piešķirta informācija par ierīces drošu lietošanu un viņi apzinās tās lietošanas bīstamību. Bērni nedrīkst spēlēt ar aprīkojumu. Ierīces tīrīšanu un apkopi nedrīkst veikt bērni, ja vien viņi ir vecāki par 8 gadiem un šīs darbības tiek veiktas uzraudzībā.

6. Pēc lietošanas vienmēr atvienojiet strāvas kontaktdakšu, turot kontaktlīdzdu ar roku. NEvelciet strāvas vadu.

7. Neiegremdējiet kabeli, kontaktdakšu un visu ierīci ūdenī vai citā šķidrumā. Nepakļaujiet ierīci atmosfēras iedarbībai (lietus, saule utt.) Vai nelietojiet paaugstināta mitruma apstākļos (vannas istabas, mitras pārvietojamās mājas).

8. Periodiski pārbaudiet strāvas vada stāvokli. Ja strāvas vads ir bojāts, tas jāmaina specializētā remondarbūcā, lai izvairītos no briesmām.

9. Nelietojiet ierīci ar bojātu strāvas vadu, ja tā ir nomesta vai citādi bojāta, vai arī tā nedarbojas pareizi. Neuzlabojiet ierīci pats, jo pastāv elektriskās strāvas trieciena risks. Nogādājiet bojāto ierīci pārbaudei vai labošanai atbilstošā servisa centrā. Visus remondarbus drīkst veikt tikai pilnvaroti servisa punkti. Nepareizi veikts remonts var radīt nopietnas briesmas lietotājam.

10. Novietojiet ierīci uz vēsas, stabilas virsmas, prom no karstām virtuves ierīcēm, piemēram, elektriskās plīts, gāzes degļa utt.

11. Pārliedzieties, ka nekas neliedz ierīces gaisa ieplūdi un izplūdi

12. Izmantojiet ierīci tikai uz līdzenas virsmas, lai novērstu kondensāta izliešanu

13. Lai nodrošinātu papildu aizsardzību, ieteicams elektriskajā ķēdē uzstādīt atlikušās strāvas ierīci (RCD) ar nominālo atlikušo strāvu, kas nepārsniedz 30mA. Par to jautājiet elektriķim.

14. Regulāri notīriet gaisa filtru. Tīrīšanas biežums ir atkarīgs no gaisa tīrības.

15. Pēc mašīnas izslēgšanas nogaidiet vismaz 5 minūtes, pirms to atkal ieslēdzat.

16. Nelietojiet ierīci saulainās vietās. Kad ierīce pārkarst, ierīce pārkaršanās laikā ieslēdzas.

17. Lai nodrošinātu efektīvu dzesēšanu, starp ierīces sānu sienām un sienu, mēbelēm vai aizkariem jābūt vismaz 50 cm attālumam.

18. Ierīces ierobežotās darbības dēļ, ja starpība starp mērķa temperatūru un apkārtējās vides temperatūru ir pārāk liela, mērķa temperatūra var netikt sasniegta.

19. Lai samazinātu ugunsgrēka, elektriskās strāvas trieciena vai ievainojumu risku, lietojot gaisa kondicionieri, ievērojiet šādus pamata piesardzības pasākumus:

a) Pievienojiet iezemētai kontaktlīdzdai ar 3 tapām.

b) nenogremiet zemējuma galu.

c) Nelietojiet adapteri.

d) Nelietojiet pagarinātāju.

e) Pirms apkopes atvienojiet gaisa kondicionieri.

f) Gaisa kondicionētāja pārvietošanai un uzstādīšanai izmantojiet divus vai vairāk cilvēkus.

20. Nelietojiet līdzekļus, kas paātrina atkausēšanas vai tīrīšanas procesu, izņemot tos, kurus ieteicis ražotājs.

21. Ierīce jāuzglabā telpā, kurā pastāvīgi nedarbojas aizdedzes avoti, piemēram: atklāta uguns, gāzes ierīces vai elektriskie sildītāji.

## Ierīces apraksts - A attēls

- |   |   |
|---|---|
| 1. Vadības panelis                      | 2. Aukstā gaisa izvads                  |
| 3. Tālvadības pults (attēls E)          | 4. Transportēšanas rokturis             |
| 5. Izlvaicētāja ietilpde ar EVA filtru. | 6. Gaisa izplūdes caurule               |
| 7. Augšējā dzesētāja notekas caurums    | 8. Dzesētāja drenāžas atvere lejā       |
| 9. Logu izplūdes adapteris              | 10. Gaisa izplūdes caurules savienotājs |

## Vadības paneļa apraksts - D attēls.

- |  |  |
|--|--|
| A. Barošanas poga  | B. Režīma poga                                 |
| C. Taimera / Temperatūras pazemināšanas poga                     | D. Taimera / Temperatūras paaugstināšanas poga |
| E. Miega režīma pogas (D & F kopā nospiešanas dzesēšanas režīmā) | F. Ventilatora ātruma poga                     |
| G. Taimera poga  | H. LED ekrāns                                  |
| I. Signāla uztvērējs tālvadības pultim                           | J. Atdzesēšanas režīma kontrollampīņa          |
| K. Sausā režīma kontrollampīņa                                   | L. Ventilatora režīma kontrollampīņa           |
| M. Pilna ūdens kontrollampīņa                                    | N. Miega režīma kontrollampīņa                 |
| O. Ieslēgšanas / izslēgšanas kontrollampīņa                      | P. Laika kontrollampīņa                        |
| Q. temperatūras kontroles lampa                                  |  |

## Tālvadības pults - E attēls

- |  |  |
|--|--|
| A. Barošanas poga                            | B. Režīma poga                                 |
| C. Taimera / Temperatūras pazemināšanas poga | D. Taimera / Temperatūras paaugstināšanas poga |
| E. Miega modelis                             | F. Ventilatora ātruma poga                     |
| G. Taimera poga                              |  |

## Darbība ar vadības paneli - attēls D

Nospiediet pogu "A", lai ieslēgtu un izslēgtu mašīnu, zimmers vienreiz atskaņos signālu. Kontrollampīņa "O" ieslēgs vadības paneli.

Nospiediet pogu "B", lai pārslēgtu režīmu starp dzesēšanas režīmu → ventilatora režīmu → gaisa sausināšanas režīmu.

Nospiediet pogu "D / C" uz augšu / uz leju, lai mainītu iestatīšanas temperatūru vai iestatīšanas laiku, rīkojieties šādi:

- Temperatūras iestatīšanas laikā nospiediet pogu uz augšu vai uz leju, lai izvēlētos nepieciešamo temperatūru (nav pieejama ventilatora vai mitruma samazināšanas režīmā).
- Laika iestatīšanas laikā nospiediet pogu augšup vai lejup, lai izvēlētos vajadzīgo laiku.

Nospiediet pogu „F”, lai izvēlētos ventilatora ātrumu:

- Dzesēšanas un ventilatora režīmā nospiediet pogu "F", lai izvēlētos darbību ar lielu vai mazu vēja ātrumu. Pārāk aukstos apstākļos tas var nedarboties atbilstoši iestatītajam vēja ātrumam.
- Sausināšanas režīmā pogas "F" nospiešana nav derīga, un ventilators piespiedu kārtā izvēlas darbību ar mazu vēja ātrumu.

Nospiediet pogu "E", lai izvēlētos miega režīmu:

- Dzesēšanas režīmā nospiediet abas pogas "F" un "D", lai ieslēgtu miega režīmu, pēc tam ierīce darbosies enerģijas taupīšanas un klusuma režīmā. Miega modeļa kontrollampīņa "N" ieslēgs vadības paneli.

Nospiediet pogu "G", lai izvēlētos darbības periodu, kad LCD ekrāns mirgo, nospiediet augšupvērsto pogu "D" vai uz leju pogu "C", lai izvēlētos nepieciešamo laika diapazonu. Laika iestatīšanas diapazons ir 1-24 stundas, un to var par vienu stundu palielināt vai samazināt. Mirgošana drīz beigsies, un LED ekrāns atgriezīsies, lai parādītu paredzamo apkārtējās vides temperatūru.

Aizkavēta starta funkcija:

- Ieslēgšanas kavējuma iestatījums:

Izslēdziet ierīci un pēc tam nospiediet pogu "G", pēc tam nospiediet uz augšu pogu "D" vai uz leju pogu "C", lai izvēlētos vajadzīgo laika vērtību. Maksimālais ieslēgšanas kavējuma laiks ir 24 stundas. Pēc aizkaves laika ierīce tiks ieslēgta.

- izslēgšanās aizkaves iestatījums:

Izslēdziet ierīci un pēc tam nospiediet pogu "G", pēc tam nospiediet uz augšu pogu "D" vai uz leju pogu "C", lai izvēlētos vajadzīgo laika vērtību. Maksimālais izslēgšanās kavējuma laiks ir 24 stundas. Pēc kavēšanas laika ierīce tiks izslēgta.

## Tālvadības pults darbība - attēls E

Tālvadības pults pārsūta signālus uz sistēmu.

Poga "A" - ierīce tiks iedarbināta, kad tā tiek barota, vai tiks apturēta, kad tā darbojas, ja nospiedīsīt šo pogu.

Poga "B" - nospiediet to, lai izvēlētos darbības režīmu: vēss režīms → sausais režīms → ventilatora režīms.

Poga "C" / "D" - nospiediet, lai pielāgotu istabas temperatūru un taimeri.

Poga "E" - nospiediet, lai iestatītu vai atceltu miega režīmu.

Poga "F" - nospiediet to, lai secīgi izvēlētos ventilatora ātrumu: zems / augsts vēja ātrums.

Poga "G" - nospiediet, lai iestatītu darbības laiku no 1 līdz 24 stundām

## AIZSARDZĪBAS IERĪCES

### 1. Aizsardzība pret salu:

Dzesēšanas, sausināšanas vai ekonomiskā enerģijas taupīšanas režīmā, ja izplūdes caurules temperatūra ir pārāk zema, mašīna automātiski nonāk aizsardzības statusā; ja izplūdes caurules temperatūra paaugstinās līdz noteiktai temperatūrai, tā var automātiski atgriezties normālā darbībā.

### 2. Pārplūdes aizsardzības funkcija "M":

Kad ūdens ūdens tvertnē pārsniedz brīdinājuma līmeni, mašīna automātiski izsauks trauksmi un mirgos indikatora indikator "FULL" "F". Šajā laikā novadiet ūdeni saskaņā ar kanalizācijas instrukcijām. Pēc ūdens iztukšošanas mašīna automātiski atgriezīsies sākotnējā stāvoklī.

### 3. Kompresora aizsardzības funkcija

Lai palielinātu kompresora kalpošanas laiku, tam ir 3 minūšu aizkavēšanās sākšanās aizsardzības funkcija pēc kompresora izslēgšanas.

## DRĪZINĀŠANAS INSTRUKCIJA:

Šai mašīnai ir divas kanalizācijas metodes: manuāla kanalizācija un nepārtraukta kanalizācija.

### 1. Manuāla kanalizācija - attēls F1.

Kad ierīce apstājas pēc ūdens piepildīšanas, vadības panelī redzat, ka mirgo kontrollampīņa "M". Izslēdziet ierīces strāvu un atvienojiet strāvas kontaktdakšu. Rūpīgi pārvietojiet mašīnu, lai neizšakstītos ūdens ūdens traukā korpusa apakšā. Novietojiet ūdens trauku zem ūdens izejas aiz korpusa. Atskrūvējiet dzesētāja drenāžas atveri (8) un atvienojiet ūdens kontaktdakšu, ūdens automātiski ieplūdis ūdens tvertnē. Pareizi turiet kanalizācijas vāku un ūdens aizbāzni. Drenāžas laikā ķermeņi var nedaudz noliekt atpakaļ. Ja ūdens trauks nespēj turēt visu ūdeni, pirms ūdens trauks ir piepildīts, pēc iespējas ātrāk piepildiet ūdens izvadu ar ūdens aizbāzni, lai ūdens neplūst uz grīdas vai paklāja. Kad ūdens ir izlādējies, pielieciet ūdens aizbāzni un pievelciet kanalizācijas vāku.

### 2. Nepārtraukta kanalizācija - opcija piemērojama TIKAI sausināšanas režīmam - parādīta F2 attēlā.

Noskrūvējiet kanalizācijas vāku un atvienojiet ūdens kontaktdakšu. Ievietojiet kanalizācijas cauruli (nav iekļauta komplektā) ūdens izplūdē. Pievienojiet kanalizācijas cauruli spainim.

## TĪRĪŠANA UN APKOPE

Tīrīšana: pirms tīrīšanas un apkopes izslēdziet mašīnu un atvienojiet kontaktdakšu.

### a) Mājokļa tīrīšana

Notīriet ar ierīces virsmu ar mitru, mīkstu drānu. Nelietojiet ķīmiskas vielas, piemēram, benzolu, spirtu, benzīnu, pretējā gadījumā tiks sabojāta ierīces virsma vai pat visa mašīna.

### b) EVA filtra tīrīšana

Ja filtra ekrāns ir aizsērējis ar putekļiem un ierīces efektivitāte ir samazināta, noteikti notīriet filtra ekrānu reizi divās nedēļās.

- Notīriet augšējo filtra ekrāna rāmi - G attēls.

- Atskrūvējiet aizmugurējā vāciņa vienu skrūvi un noņemiet EVA filtra sietu (5).

- Ielieciet filtru siltā ūdenī ar neitrālu mazgāšanas līdzekli (apmēram 40 °C / 104 °F) un pēc tīras skalošanas nosusiniet to ēnā.

## UZGLABĀŠANA

1. Noskrūvējiet kanalizācijas vāku, atvienojiet ūdens kontaktdakšu un izlejiet ūdeni ūdens traukā citos ūdens traukos vai tieši nolieciet korpusu, lai ūdeni izvadītu citos traukos.

2. Ieslēdziet ierīci, noregulējiet to uz maza ātruma ventilatora režīmu un uzturiet šo stāvokli, līdz kanalizācijas caurule (nav iekļauta komplektā) kļūst sausa, lai korpusa iekšpuse paliktu sausa un novērstu tās pelējumu. .

3. Izslēdziet ierīci, noņemiet kontaktdakšu no kontaktlīdždas, uzstādiet kontaktdakšu un kanalizācijas vāku.

4. Noņemiet gaisa izplūdes caurules elementus.

5. Pārklājiet gaisa kondicionētāju ar plastmasas maisiņu. Novietojiet gaisa kondicionētāju sausā vietā, turiet to bērniem nepieejamā vietā un veiciet putekļu kontroles pasākumus.

6. Izņemiet tālvadības pults baterijas un glabājiet tās pareizi.

## PROBLĒMU NOVĒRŠANA

Neuzlabojiet ierīci pats. Kvalificēts remonts anulē garantiju.

I problēma. Gaisa kondicionieris nedarbojas.

1. iemesls: nav elektrības. Tātad, ieslēdziet to pēc kontaktlīdždas ar elektrību.

2. iemesls: pārplūdes indikators parāda "FL". Tātad, izlejiet ūdeni.

3. iemesls: apkārtējā temperatūra ir par zemu vai par augstu. Tāpēc iesakiet ierīci izmantot temperatūrā 7-35 °C (44-95 °F).

4. iemesls: dzesēšanas režīmā istabas temperatūra ir zemāka par iestatīto. Tātad mainiet iestatīto temperatūru.

5. iemesls: sausajā režīmā apkārtējā temperatūra ir par zemu. Tātad ierīce jānovieto telpā, kuras apkārtējā temperatūra ir augstāka par 17 °C (62 °F).

II problēma. Dzesēšanas efekts nav labs.

1. iemesls: ir tieša saules gaisma. Tātad, velciet aizkaru.

2. iemesls: durvis vai logi ir atvērti; ir daudz cilvēku; vai dzesēšanas režīmā ir arī citi siltuma avoti. Tāpēc aizveriet durvis un logus un pievienojiet jaunu gaisa kondicionētāju.

3. iemesls: EVA filtrs ir netīrs. Tātad, notīriet to.

4. iemesls: gaisa ieplūde vai izplūde ir bloķēta. Tātad, notīriet šķēršļus.

III problēma: liels troksnis

Iemesls: ierīce nav novietota uz līdzenas virsmas. Tātad, novietojiet ierīci uz līdzenas un cietas vietas, lai samazinātu troksni.

IV problēma: Kompresors nedarbojas.

Iemesls: Sākas aizsardzība pret pārkaršanu. Tāpēc pagaidiet 3 minūtes, līdz temperatūra tiek pazemināta, un pēc tam restartējiet mašīnu.

V problēma: Tālvadības pults nedarbojas.

1. iemesls: attālums starp mašīnu un tālvadības pulti ir pārāk liels. Tāpēc ļaujiet tālvadības pultim pietuvoties ierīcei un pārliecinieties, vai tālvadības pults ir tieši vērstā pret signāla uztvērēju (I) vadības paneli.

2. iemesls: tālvadības pults nav saskaņota ar tālvadības pults uztvērēja virzienu. Tātad rīkojieties tāpat kā iepriekš.

3. iemesls: Baterijas ir izlādējušās. Tātad, nomainiet baterijas.

VI problēma. Parāda 'E1'.

Iemesls: cauruļvada temperatūras sensors nav normāls. Tāpēc, lūdzu, sazinieties ar pilnvarotu servisa organizāciju.

VII problēma. Parāda "E2"

Iemesls: Telpas temperatūras sensors ir nepareizs. Tāpēc, lūdzu, sazinieties ar pilnvarotu servisa organizāciju.

Piezīme: Ja rodas problēmas, kas nav uzskaitītas tabulā, vai ieteiktie risinājumi organizāciju.

#### TEHNISKIE DATI:

Dzesēšanas jauda BTU: 7000 BTU / stundā

Dzesēšanas jauda vatos: 2060W

Enerģijas patēriņš (dzesēšanai) W: 792 W

Skalums: <= 65dB

Gaisa plūsma: 300 m<sup>3</sup> / h

Enerģijas klase: A

Taimeris: 24 stundas

R290 dzesēšanas šķidruma svars: maks. 130 grami



Piesardzība, ugunsbīstamība.

NAV caurdurt un nedezināt.

Ņemiet vērā, ka dzesēšanas šķidrumam nedrīkst būt smakas.



Apkārtējās vides aizsardzība. Kartona iepakojumu, lūdzu, nododiet atsevišķi pārstrādei. Polietilēna maisinūs (PE) izmest plastmasas izstrādājumiem paredzētajos konteineros. Lietotās elektropreces nododiet attiecīgajos pieņemšanas punktos. Ierīcē satur bīstamas sastāvdaļas, kas var izraisīt draudus apkārtējai videi. Elektroierīce jānodod tā, lai ierobežotu tās atkārtotu izmantošanu. Ja ierīcē atrodas baterijas, izņemiet tās un nododiet pieņemšanas punktā atsevišķi. Produktu neizmest sadzīves atkritumu konteinerā!

## EESTI

### ÜLDISED OHUTUSTINGIMUSED

#### OLULISED OHUTUSJUHISED LUGEGE ETTEVAATUST JA HOIDKE TULEVIKKU

1. Enne seadme kasutamist lugege kasutusjuhendit ja järgige selles sisalduvaid juhiseid. Tootja ei vastuta kahjude eest, mis on põhjustatud seadme eesmärgipärasest kasutamisest või ebaõigest kasutamisest.
2. Seade on ette nähtud ainult koduseks kasutamiseks. Ärge kasutage muuks otstarbeks kui otstarbeks.
3. Seadme toiteallikat tuleks ühendada ainult maandatud 220 240 V ~ 50 Hz sagedusega. Tööohutuse suurendamiseks ei tohiks mitu vooluahelat üheaegselt ühendada.
4. Kui olete läheduses, kasutage seadet eriti ettevaatlikult. Ärge lubage lastel seadmega mängida, ärge lubage lastel ega inimestel, kes pole seadmega tuttavad, seda kasutada.
5. HOIATUS. Seda seadet võivad kasutada üle 8-aastased lapsed ja piiratud füüsilise, sensoorse või vaimse võimekusega inimesed või inimesed, kellel pole seadme kasutamise kohta kogemusi ega teadmisi, kui seda tehakse vastutava isiku järelevalve all. nende ohutuse tagamiseks või neile on antud teavet seadme ohutu kasutamise kohta ja nad on teadlikud selle kasutamisega seotud ohtudest. Lapsed ei tohiks varustusega mängida. Seadme puhastamist ja hooldamist tohivad teha ainult lapsed, välja arvatud juhul, kui nad on üle 8 aasta vanad ja neid toiminguid teostatakse järelevalve all.
6. Ühendage toitepistik alati lahti, hoides pärast kasutamist pistikupesast käega. ÄRGE tõmmake toitejuhtmest.

7. Ärge kastke kaablit, pistikut ja kogu seadet vette ega muusse vedelikku. Ärge jätke seadet atmosfääriolude (vihm, päike jne) kätte ega kasutage kõrge õhuniiskusega tingimustes (vannituba, niiske liikuv kodu).
8. Kontrollige perioodiliselt toitejuhtme seisukorda. Kui toitejuhe on kahjustatud, peaks selle ohu vältimiseks välja vahetama spetsialiseeritud remonditökojas.
9. Ärge kasutage seadet kahjustatud toitejuhtmega, kui see on maha kukkunud või muul viisil kahjustatud või kui see ei tööta korralikult. Ärge parandage seadet ise, kuna seal võib tekkida elektrilöögi oht. Viige kahjustatud seade kontrollimiseks või parandamiseks vastavasse teeninduskeskusesse. Kõiki remonditöid tohivad teha ainult selleks volitatud teeninduspunktid. Valesti tehtud remonditööd võivad kasutajale põhjustada tõsiseid ohte.
10. Asetage seade jahedale, kindlale pinnale, eemal kuumadest köögiseadmetest, nagu näiteks: elektripliit, gaasipõleti jne.
11. Veenduge, et miski ei blokeeri seadme õhu sisse- ja väljalaskeava
12. Kasutage seadet ainult tasasel pinnal, et vältida kondensaadi väljavoolamist
13. Täiendava kaitse tagamiseks on soovitatav paigaldada vooluahelasse jääkvoolu seade (RCD), mille nimijärgivool ei ületa 30mA. Küsige seda elektrikult.
14. Puhastage regulaarselt õhufiltrit. Puhastamise sagedus sõltub õhu puhtusest.
15. Pärast masina väljalülitamist oodake enne sisselülitamist vähemalt 5 minutit.
16. Ärge kasutage seadet päikesepaistelistes kohtades. Kui seade üle kuumeneb, lülitatakse ülekuumenemise kaitse seade sisse.
17. Tõhusa jahutuse tagamiseks tuleks seadme külgeinte ja seinu või mööbli või kardinate vahel hoida vähemalt 50 cm vahemaa.
18. Seadme piiratud jõudluse tõttu võib sihttemperatuuri mitte saavutada, kui sihttemperatuuri ja ümbritseva õhu temperatuuride erinevus on liiga suur.
19. Tulekahju, elektrilöögi või vigastuste ohu vähendamiseks kliimaseadme kasutamisel järgige järgmisi põhilisi ettevaatusabinõusid:
  - a) Ühendage 3 tihvtiga maandatud pistikupesaga.
  - b) Ärge eemaldage maandusharku.
  - c) Ärge kasutage adapterit.
  - d) Ärge kasutage pikendusjuhet.
  - e) Enne hooldust ühendage konditsioneer lahti.
  - f) Kliimaseadme teisaldamiseks ja paigaldamiseks kasutage kahte või enam inimest.
20. Sulatamise või puhastamise kiirendamiseks kasutage ainult tootja soovitatud vahendeid.
21. Seadet tuleks hoida ruumis, kus pole pidevalt töötavaid süüteallikaid, näiteks: lahtine tuli, gaasiseadmed või elektrikerised.

Seadme kirjeldus - pilt A

- |                                |                                |
|--------------------------------|--------------------------------|
| 1. Juhtpaneel                  | 2. Külma õhu väljalaskeava     |
| 3. Kaugjuhtimispuult (pilt E)  | 4. Transpordi käepide          |
| 5. Aurusti sisend EVA filtriga | 6. Õhu väljalasketoru          |
| 7. Ülemine jahuti tühendusava  | 8. Jahuti alumine tühendusava  |
| 9. Akna väljalaskeadapter      | 10. Õhu väljalasketoru liitmik |

Juhtpaneeli kirjeldus - pilt D.

- |              |                 |
|--------------|-----------------|
| A. Toitenupp | B. Režiimi nupp |
|--------------|-----------------|

- C. Taimer / temperatuuri alandamise nupp
- E. Unerežiimi nupud (D & F jahutusrežiimil vajutatakse koos)
- G. Taimerinupp
- I. Kaugjuhtimispuldi signaalide vastuvõtja
- K. Kuiva režiimi kontrolllamp
- M. Täisvee kontrolllamp
- O. Kontrolltule sisse- ja väljalülitamine
- Q. temperatuuri kontrolllamp
- D. Taimer / temperatuuri tõstmise nupp
- F. Ventilaaatori kiiruse nupp
- H. LED-ekraan
- J. Jahutusrežiimi kontrolltuli
- L. Ventilaaatori režiimi kontrolllamp
- N. Unerežiimi kontrolllamp
- P. Aja kontrolllamp

Kaugjuhtimispuult - pilt E

- A. Toitenupp
- C. Taimer / temperatuuri alandamise nupp
- E. Unerežiim
- G. Taimer nupp

- B. Režiimi nupp
- D. Taimer / temperatuuri tõstmise nupp
- F. Ventilaaatori kiiruse nupp

Juhtimispaneeli töö - pilt D

Masina sisse- ja väljalülitamiseks vajutage nuppu „A”, helisignaali mängib üks kord. Kontrolllamp „O” lülitab juhtpaneeli sisse.

Režiimi vahetamiseks jahutusrežiimi → ventilaaatori režiimi → õhukuivatusrežiimi vahel vajutage nuppu B.

Seadistustemperatuuri või aja muutmiseks vajutage nuppu D / C üles / alla, toimige järgmiselt:

- Temperatuuri seadistamise ajal vajutage nuppu üles või alla, et valida vajalik temperatuur (pole saadaval ventilaaatori või õhukuivatusrežiimis).
- Vajutage kellaaaja seadistamise ajal üles või üles nuppu, et valida vajalik aeg.

Ventilaaatori kiiruse valimiseks vajutage nuppu „F”:

- Vajutage jahutuse ja ventilaaatori režiimis nuppu F, et valida tuule kiirus kõrge või madala kiirusega. Liiga külmades oludes ei pruugi see töötada vastavalt seatud tuulekiirusele.
- Kuivatusrežiimis on nupu „F” vajutamine kehtetu ja ventilaaator valib sunniviisiliselt madala tuule kiiruse.

Puhkerežiimi valimiseks vajutage nuppu „E”:

- Puhkerežiimi sisselülitamiseks vajutage jahutusrežiimis mõlemad nupud „F” ja „D”, siis töötab seade energiasäästliku ja vaikse režiimi režiimis. Unerežiimi juhtlamp „N” lülitub juhtpaneelile sisse.

Vajutage nupule „G”, et valida tööperiood, kui vedelkristallekraan vilgub, vajutage ülesnuppu „D” või allannuppu „C”, et valida vajalik ajavahemik. Ajavahemiku vahemik 1-24 tundi ja seda saab ühe tunni võrra üles või alla reguleerida. Viikumine lõpeb varsti ja LED-ekraan taastub, et näidata eeldatavat ümbritseva õhu temperatuuri. Alustamise viivituse funktsioon:

- Sisselülituse viivituse seadistus:

Lülitage seade välja ja seejärel vajutage nuppu „G”, seejärel vajutage üles-nuppu „D” või alla-nuppu „C”, et valida vajalik ajaväärtus. Maksimaalne viivituse aeg on 24 tundi. Seade lülitatakse sisse pärast viivituse möödumist.

- väljalülituse viivituse seadistus:

Lülitage seade sisse ja seejärel vajutage nuppu „G”, seejärel vajutage üles-nuppu „D” või alla-nuppu „C”, et valida vajalik ajaväärtus. Maksimaalne väljalülituse viivituse aeg on 24 tundi. Pärast viivituse möödumist lülitatakse seade välja.

Kaugjuhtimispuldi töö - pilt E

Kaugjuhtimispuult edastab signaale süsteemi.

Nupp "A" - seade käivitatakse pärast selle sisselülitamist või peatatakse selle töötamise ajal, kui vajutate seda nuppu.

Nupp "B" - vajutage seda töörežiimi valimiseks: jahutusrežiim → kuivrežiim → ventilaaatori režiim.

Nupp "C" / "D" - vajutage toatemperatuuri ja taimer reguleerimiseks.

Nupp "E" - vajutage unerežiimi seadmiseks või tühistamiseks.

Nupp "F" - vajutage seda ventilaaatori kiiruse valimiseks järjest: madal / kõrge tuule kiirus.

Nupp "G" - vajutage, et seadistada tööaeg 1 kuni 24 tundi.

## Kaitseeadmed

### 1. Külmakaitsefunktsioon:

Jahutus-, õhukuivatus- või ökonoomse energiasäästu režiimis, kui väljalasketoru temperatuur on liiga madal, saab masin automaatselt kaitse oleku; kui väljalasketoru temperatuur tõuseb teatud temperatuurini, võib see automaatselt normaliseeruda.

### 2. Ülevoolu kaitsefunktsioon "M":

Kui vesi veepaagis ületab hoiatustaset, kostab masin automaatselt alarmi ja vilgub "FULL" märgutuli "M". Sel ajal tühjendage vesi vastavalt drenaažijuhistele. Pärast vee tühjendamist naaseb masin automaatselt algsesse olekusse.

### 3. Kompressori kaitsefunktsioon

Kompressori kasutusea pikendamiseks on sellel pärast kompressori väljalülitamist 3-minutilise viivitus käivitamise kaitsefunktsioon.

## LAHASTAMISJUHISED:

Sellel masinal on kaks äravoolumeetodit: käsitsi kuivendamine ja pidev äravool.

### 1. Käsitsi kanalisatsioon - pilt F1.

Kui seade peatub pärast vee täitumist, näete juhtpaneelil vilkurit M-märgutuli. Lülitage seadme toide välja ja eemaldage toitejuhe. Liigutage masinat ettevaatlikult, et mitte valada vett korpuse põhjas asuvasse veekannusse. Asetage veemahuti korpuse taha vee väljalaskeava alla. Keerake alumine jahuti tühjendusava (8) lahti ja tõmmake veepistik lahti, vesi voolab automaatselt veemahutisse. Hoidke äravoolukatet ja veepistikut korralikult. Drenaaži ajal saab keha kergelt tahapoole kallutada. Kui veemahuti ei suuda kogu vett ära hoida, täitke vee väljalaskeava võimalikult kiiresti veega, et vesi ei voolaks põrandale ega vaibale, enne kui veemahuti on täis. Kui vesi on tühjenenud, täitke veetoru ja keerake äravoolukate kinni.

### 2. Pidev drenaaž - võimalus AINULT õhuniisutusrežiimi jaoks - näidatud pildil F2.

Keerake äravoolukate lahti ja eemaldage veepistik. Pange äravoolutoru (komplektis ei sisaldu) vee väljalaskeavasse. Ühendage äravoolutoru ämbriga.

## PUHASTAMINE JA HOOLDUS

Puhastamine: enne puhastamist ja hooldust lülitage masin välja ja eemaldage pistik pistikupesast.

### a) Korpuse puhastamine

Puhastage seadme pinda märja pehme lapiga. Ärge kasutage kemikaale, näiteks benseeni, alkoholi, bensiini, vastasel juhul kahjustatakse seadme pinda või isegi kogu masinat.

### b) EVA filtri puhastamine

Kui filtriekraan on tolmuga ummistunud ja seadme efektiivsus on vähenenud, puhastage kindlasti filtriekraani iga kahe nädala tagant.

- Puhastage filtri ülemine raam - pilt G

- Keerake tagakaane üks kruvi lahti ja eemaldage EVA filtri võrk (5).

- Pange filter neutraalse puhastusvahendiga (umbes 40 °C / 104 °F) sooja vette ja kuivatage pärast puhta loputamist varjus.

## LADUSTAMINE

1. Keerake äravoolukate lahti, tõmmake veepistik välja ja tühjendage veevannil olev vesi teistesse veemahutitesse või kallutage korpus otse, et vesi muudesse mahutitesse saaks.

2. Lülitage seade sisse, reguleerige seda madala kiirusega ventilaaatori režiimile ja hoidke seda olekut seni, kuni äravoolutoru (ei kuulu komplekti) kuivab, et hoida korpuse sisemust kuivas olekus ja vältida selle hallituse tekkimist. .

3. Lülitage seade välja, eemaldage pistik pistikupesast, paigaldage pistik ja tühjendage kaas.

4. Eemaldage õhu väljalasketoru elemendid.

5. Katke kliimaseade kilekottiga. Pange kliimaseade kuiva kohta, hoidke seda lastele kättesaamatus kohas ja rakendage tolmu tõrjemeetmeid.

6. Eemaldage kaugjuhtimispuldi patareid ja hoidke neid korralikult.



Ärge parandage seadet ise. Kvalifitseeritud remont tühistab garantii.

I probleem: kliimaseade ei tööta.

Põhjus 1: elektrit pole. Niisiis, lülitage see sisse pärast elektri pistikupessa ühendamist.

Põhjus 2: ülevoolu indikaator näitab "FL". Niisiis, tühjendage vesi.

Põhjus 3: ümbritseva õhu temperatuur on liiga madal või liiga kõrge. Seega soovitage seadet kasutada temperatuuril 7–35 °C (44–95 °F).

Põhjus 4: jahutusrežiimis on ruumi temperatuur seatud temperatuurist madalam. Niisiis, muutke seatud temperatuuri.

Põhjus 5: kuivrežiimis on ümbritseva õhu temperatuur liiga madal. Niisiis, seade tuleks paigutada ruumi, mille keskkonna temperatuur on suurem kui 17 °C (62 °F).

II probleem: jahutav efekt pole hea.

Põhjus 1: seal on otsene päikesevalgus. Niisiis, tõmmake kardin.

Põhjus 2: ukсед või aknad on avatud; inimesi on palju; või jahutusrežiimis on ka muid soojusallikaid. Seega sulgege ukсед ja aknad ning lisage uus konditsioneer.

Põhjus 3: EVA filter on määrdunud. Niisiis, puhastage see.

Põhjus 4: õhu sisse- või väljalaskeava on blokeeritud. Niisiis, kustutage takistused.

III probleem: suur müra

Põhjus: seadet ei asetata tasasele pinnale. Niisiis, pange seade müra vähendamiseks tasasele ja kõvale kohale.

IV probleem: Kompessor ei tööta.

Põhjus: kaitse ülekuumenemise eest algab. Nii et oodake 3 minutit, kuni temperatuur on alanenud, ja taaskäivitage masin.

V probleem: kaugjuhtimispuult ei tööta.

Põhjus 1: masina ja kaugjuhtimispuuldi vaheline kaugus on liiga suur. Laske siis kaugjuhtimispuuldi seadme lähedale jõuda ja veenduge, et kaugjuhtimispuult oleks otse juhtpaneeli küljes signaali vastuvõtja (I) poole.

Põhjus 2: kaugjuhtimispuult ei ole kaugjuhtimispuuldi vastuvõtja suunaga joondatud. Tehke nii nagu ülalpool.

Põhjus 3: patareid on tühjad. Niisiis, vahetage patareid.

VI probleem: kuvatakse „E1”.

Põhjus: toru temperatuuriandur on ebanormaalne. Seetõttu pöörduge volitatud hooldusorganisatsiooni poole.

VII probleem: kuvatakse E2

Põhjus: toatemperatuuri andur on ebanormaalne. Seetõttu pöörduge volitatud hooldusorganisatsiooni poole.

Märkus. Kui ilmnevad tabelis loetlemata probleemid või soovitat professionaalse teeninduse organisatsiooniga.

#### TEHNILISED ANDMED:

Jahutusvõimsus BTU juures: 7000 BTU / tund

Jahutusvõimsus vattides: 2060W

Energiatarve (jahutamine) W: 792 W

Maht: <= 65 dB

Õhuvool: 300 m<sup>3</sup> / h

Energiaklass: A

Taimer: 24 tundi

Jahutusvedeliku R290 mass: max. 130 gramm

Hoolditse keskkonnakaitse eest..

Kartongist pakendid vii makulatuuri. Kilekotid (PE) viska kasutatud plastiku jaoks ettenähtud mahutitesse. Kasutatud seadmed vii selleks ettenähtud kogumispunktidesse, sest seadmes leiduvad ohtlikud elemendid võivad olla kahjulikud keskkonnale. Elektriseadmed tuleb anda nii ära, et seadet ei saaks enam uuesti kasutada. Kui seadmes on patareid, tuleb need välja võtta ja anda eraldi kogumispunkti.

Seadet ei tohi visata olmejäätmete konteineritesse!!



Ettevaatust, tuleoht.

MITTE läbistada ega põletada.

Pange tähele, et külmutusagens ei pruugi lõhna sisaldada.



## ROMÂNĂ

### CONDIȚII GENERALE DE SIGURANȚĂ

### INSTRUCȚIUNI DE SIGURANȚĂ IMPORTANTE CITIȚI ÎNCETĂRE ȘI SALVAȚI PENTRU VIITOR

1. Înainte de a utiliza dispozitivul, citiți manualul de operare și urmați instrucțiunile conținute

- de acesta. Producătorul nu este responsabil pentru daunele cauzate de utilizarea dispozitivului contrar scopului intenționat sau a funcționării necorespunzătoare a acestuia.
2. Aparatul este numai pentru uz casnic. Nu folosiți în alte scopuri care nu sunt destinate scopului său.
  3. Dispozitivul trebuie conectat numai la o priză de curent alternativ cu o masă de pământ 220 240V ~ 50Hz. Pentru a spori siguranța operațională, mai multe dispozitive electrice nu ar trebui conectate la un circuit de curent în același timp.
  4. Aveți precauție extremă atunci când utilizați dispozitivul când copiii sunt în apropiere. Nu permiteți copiilor să se joace cu dispozitivul, nu lăsați copiii sau persoanele necunoscute de dispozitiv să-l folosească.
  5. **AVERTIZARE:** Acest echipament poate fi utilizat de copii peste 8 ani și de persoane cu capacitate fizică, senzorială sau mentală limitată sau de persoane care nu au experiență sau cunoștințe despre echipament, dacă acest lucru este realizat sub supravegherea unei persoane responsabile pentru siguranța lor sau le-a fost oferită informații despre utilizarea în siguranță a dispozitivului și sunt conștienți de pericolele folosirii acestuia. Copiii nu ar trebui să se joace cu echipamentul. Curățarea și întreținerea dispozitivului nu trebuie să fie efectuată de către copii, cu excepția cazului în care au peste 8 ani și aceste activități sunt desfășurate sub supraveghere.
  6. Deconectați întotdeauna mufa de alimentare ținând priza cu mâna după utilizare. **NU** trageți cablul de alimentare.
  7. Nu scufundați cablul, mufa și întregul dispozitiv în apă sau în orice alt lichid. Nu expuneți dispozitivul la condiții atmosferice (ploaie, soare etc.) și nu folosiți în condiții de umiditate ridicată (băi, case mobile umede).
  8. Verificați periodic starea cablului de alimentare. În cazul în care cablul de alimentare este deteriorat, acesta trebuie înlocuit de un atelier de reparații de specialitate pentru a evita pericolul.
  9. Nu folosiți aparatul cu un cablu de alimentare deteriorat sau dacă a fost aruncat sau deteriorat în alt mod sau dacă nu funcționează corect. Nu reparați singur dispozitivul, deoarece există riscul de electrocutare. Duceți dispozitivul deteriorat la un centru de service adecvat pentru verificare sau reparare. Toate reparațiile pot fi efectuate numai de către punctele de service autorizate. Reparațiile efectuate incorect pot cauza pericol grav pentru utilizator.
  10. Așezați dispozitivul pe o suprafață rece, stabilă, departe de aparatele de bucătărie calde, cum ar fi: aragaz electric, arzător de gaz etc.
  11. Asigurați-vă că nimic nu blochează intrarea și ieșirea aerului dispozitivului
  12. Folosiți dispozitivul numai pe o suprafață plană pentru a preveni scurgerea condensului
  13. Pentru a oferi o protecție suplimentară, este recomandabil să instalați un dispozitiv de curent rezidual (RCD) în circuitul electric cu un curent rezidual nominal care să nu depășească 30mA. Întrebați un electrician pentru asta.
  14. Curățați regulat filtrul de aer. Frecvența curățării depinde de curățenia aerului.

15. După ce opriți mașina, așteptați cel puțin 5 minute înainte de a o porni din nou.
16. Nu folosiți dispozitivul în locuri însorite. Când dispozitivul se supraîncălzește, protecția de supraîncălzire va porni dispozitivul.
17. Pentru a asigura o răcire eficientă, trebuie să existe o distanță de cel puțin 50 cm între pereții laterali ai dispozitivului și peretele sau mobilierul sau perdelele.
18. Datorită performanței limitate a dispozitivului, dacă diferența dintre temperatura țintă și temperatura ambiantă este prea mare, este posibil ca temperatura țintă să nu fie atinsă.
19. Pentru a reduce riscul de incendiu, electrocutare sau vătămare la utilizarea aparatului de aer condiționat, respectați următoarele precauții de bază:
  - a) Conectați-vă la o priză împământată cu 3 pini.
  - b) Nu îndepărtați prona de împământare.
  - c) Nu folosiți adaptorul.
  - d) Nu folosiți un prelungitor.
  - e) Deconectați aparatul de aer condiționat înainte de întreținere.
  - f) Folosiți două sau mai multe persoane pentru a muta și instala aerul conditionat.
20. Nu folosiți agenți care accelerează procesul de decongelare sau curățare, altele decât cele recomandate de producător.
21. Dispozitivul trebuie depozitat într-o cameră fără surse de aprindere constantă, de exemplu: foc deschis, aparate cu gaz sau încălzitoare electrice.

Descrierea dispozitivului - Imagine A

- |   |  |
|---|--|
| 1. Panou de control                         | 2. Ieșire aer rece                             |
| 3. Telecomanda (imaginea E)                 | 4. Maner de transport                          |
| 5. Intrarea evaporatorului cu filtru EVA    | 6. Țeava de evacuare a aerului                 |
| 7. Gaura de evacuare a răcitorului superior | 8. Gaura de scurgere a răcitorului             |
| 9. Adaptor pentru evacuarea geamului        | 10. Conectorul conductei de evacuare a aerului |

Descrierea panoului de control - Imagine D.

- |  |  |
|--|--|
| A. Buton de alimentare   | B. Buton de mod                          |
| C. Buton Cronometru / Temperatură în jos                                     | D. Buton Cronometru / Temperatură în sus |
| E. Butoanele modelului de repaus (D & F apăsată împreună pe modul de răcire) | F. Butonul vitezei ventilatorului        |
| G. Buton cronometru  | H. Ecran LED                             |
| I. Receptor de semnal pentru telecomandă                                     | J. Lampa de control a modului rece       |
| K. Lampa de control în modul uscat   | L. Lampa de control în modul ventilator  |
| M. Lampa de control a apei complete  | N. Lampa de reglare a modului de repaus  |
| O. Lampa de control pornire / oprire   | P. Lampa de control a timpului           |
| Î, lampa de control a temperaturii   |  |

Telecomanda - Poza E

- |  |  |
|--|--|
| A. Buton de alimentare                   | B. Buton de mod                          |
| C. Buton Cronometru / Temperatură în jos | D. Buton Cronometru / Temperatură în sus |
| E. Modelul de repaus                     | F. Butonul de viteză a ventilatorului    |
| G. Buton cronometru                      |  |

Funcționarea PANELULUI DE CONTROL - imaginea D

Apăsați butonul „A” pentru a porni și opri aparatul, soneria va reda semnalul o singură dată. Lampa de control „O” se va aprinde pe panoul de control.

Apăsați butonul „B” pentru a comuta modul, între modul de răcire → modul ventilator → modul de dezumidificare.

Apăsați butonul „D / C” Sus / Jos pentru a schimba temperatura de setare sau ora de setare, acționați astfel:  
- În timp ce setați temperatura, apăsați butonul sus sau jos pentru a selecta temperatura dorită (nu este disponibil

în modul ventilator sau dezumidificare).

- În timp ce setați ora, apăsați butonul sus sau butonul jos pentru a selecta timpul necesar.

Apăsați butonul „F” pentru a selecta viteza ventilatorului:

- În modul răcire și ventilator, apăsați butonul „F” pentru a selecta funcționarea vitezei mari sau mici a vântului. În condiții prea reci, este posibil să nu funcționeze în funcție de viteza setată a vântului.

- În modul de dezumidificare, apăsarea butonului „F” nu este valabilă, iar ventilatorul va alege cu forță o funcționare cu viteză scăzută a vântului.

Apăsați butonul „E” pentru a selecta modul de repaus:

- În modul de răcire, apăsați ambele butoane „F” și „D” pentru a porni modul de repaus, apoi aparatul va funcționa la economisirea energiei și tipul liniștit. Lampa de control a modelului de repaus „N” se va aprinde pe panoul de control.

Apăsați butonul „G” pentru a selecta perioada de funcționare, când ecranul LCD clipește, apăsați butonul „D” sau butonul „C” în jos pentru a selecta intervalul de timp dorit. Setarea timpului este de 1-24 ore și poate fi ajustată în sus sau în jos cu o oră. Lumina intermitentă se va termina curând și ecranul LED va reveni pentru a afișa temperatura mediului preconizată.

Funcție de pornire cu întârziere:

- Setare întârziere pornire:

Opriti dispozitivul și apoi apăsați butonul „G”, apoi apăsați butonul „D” sau „C” pentru a selecta valoarea de timp dorită. Puterea maximă a timpului de întârziere este de 24 de ore. Dispozitivul va fi pornit după trecerea timpului de întârziere.

- Setare întârziere oprire:

Porniți dispozitivul, apoi apăsați butonul „G”, apoi apăsați butonul sus „D” sau butonul „C” pentru a selecta valoarea de timp dorită. Durata maximă de întârziere a puterii este de 24 de ore. Dispozitivul va fi oprit după trecerea timpului de întârziere.

Funcționarea telecomenzii - imaginea E

Telecomanda transmite semnale sistemului.

Butonul "A" - aparatul va fi pornit atunci când este pornit sau va fi oprit atunci când este în funcțiune, dacă apăsați acest buton.

Butonul "B" - apăsați-l pentru a selecta modul de operare: modul rece → modul uscat → modul ventilator.

Butonul "C" / "D" - apăsați pentru a regla temperatura camerei și cronometrul.

Butonul "E" - apăsați pentru a seta sau anula modul de repaus.

Butonul "F" - apăsați-l pentru a selecta succesiunea vitezei ventilatorului: viteză mică / mare a vântului.

Butonul "G" - apăsați pentru a seta timpul de operare de la 1 la 24 de ore.

## DISPOZITIVE DE PROTECȚIE

1. Funcția de protecție împotriva înghețului:

În modul de răcire, dezumidificare sau economie de energie economică, dacă temperatura conductei de echipament este prea mică, mașina va intra automat în starea de protecție; dacă temperatura conductei de echipament crește la o anumită temperatură, aceasta poate reveni automat la funcționarea normală.

2. Funcția de protecție a revarsării „M”:

Când apa din vasul de apă depășește nivelul de avertizare, aparatul va emite automat o alarmă, iar indicatorul „FULL” „M” va clipi. În acest moment, scurgeți apa conform instrucțiunilor de drenaj. După golirea apei, mașina va reveni automat la starea inițială.

3. Funcția de protecție a compresorului

Pentru a crește durata de funcționare a compresorului, acesta are o funcție de protecție de pornire de 3 minute după ce este oprit compresorul.

## INSTRUCȚIUNI DE DRAINAGE:

Această mașină are două metode de drenare: drenare manuală și drenare continuă.

### 1. Drenaj manual - imaginea F1.

Când dispozitivul se oprește după ce apa este plină, vedeți pe panoul de control lampa de control „M” clipește. Oprii dispozitivul și deconectați mufa de alimentare. Mișcați cu atenție mașina, pentru a nu vărsa apa în țigaia cu apă din partea inferioară a corpului. Așezați recipientul de apă sub evacuarea apei în spatele carcasei. Deșurubați orificiul de scurgere al răcitorului (8) și deconectați dopul de apă, apa va curge automat în recipientul de apă. Păstrați în mod corespunzător capacul de scurgere și dopul de apă. În timpul drenajului, corpul poate fi înclinat ușor înapoi. Dacă recipientul cu apă nu poate ține toată apa, înainte ca recipientul să fie plin, umpleți evacuarea de apă cu dopul de apă cât mai curând posibil pentru a împiedica apa să curgă pe podea sau pe covor. Când apa este evacuată, umpleți dopul de apă și strângeți capacul de scurgere.

### 2. Drenaj continuu - opțiune aplicabilă DOAR la modul de dezumidificare - afișat pe imaginea F2.

Deșurubați capacul de scurgere și deconectați dopul de apă. Puneți conducta de scurgere (nu este inclusă în kit) în evacuarea apei. Conectați conducta de scurgere la găleată.

## CURĂȚARE & ÎNTREȚINERE

Curățare: înainte de curățare și întreținere, oprii mașina și deconectați fișa.

### a) Curățarea locuințelor

Curățați cu suprafața dispozitivului cu o cârpă moale umedă. Nu folosiți substanțe chimice, cum ar fi benzenul, alcoolul, benzina, în caz contrar, suprafața dispozitivului va fi deteriorată sau chiar întreaga mașină va fi deteriorată.

### b) curățare filtru EVA

Dacă ecranul filtrului este înfundat cu praf și eficiența dispozitivului este redusă, asigurați-vă că curățați ecranul filtrului o dată la două săptămâni.

- Curățați rama ecranului filtrului superior - poza G.

- Desfaceți un șurub în capacul din spate și îndepărtați plasa de filtrare EVA (5).

- Introduceți filtrul în apă caldă cu detergent neutru (aproximativ 40 °C / 104 °F) și uscați-l la umbră după clătirea curată.

## DEPOZITARE

1. Deșurubați capacul de scurgere, deconectați dopul de apă și descărcați apa din vasul de apă în alte recipiente de apă sau înclinați direct carcasa pentru a descărca apa în alte containere.

2. Porniți dispozitivul, reglați-l la modul ventilator cu viteză mică și mențineți această stare până când conducta de scurgere (nu este inclusă în kit) devine uscată, astfel încât să păstrați interiorul carcasei într-o stare uscată și să împiedicați mușcăreala acestuia .

3. Oprii dispozitivul, scoateți fișa din priză, instalați ștecherul și acoperiți golirea.

4. Scoateți elementele conductelor de evacuare a aerului.

5. Acoperiți aerul condiționat cu o pungă de plastic. Puneți aerul condiționat într-un loc uscat, păstrați-l la îndemâna copiilor și luați măsuri de control al prafului.

6. Scoateți bateriile telecomenzii și păstrați-le corect.

## DEPANARE

Nu reparați singur dispozitivul. Reparația calificată va anula garanția.

Problema I: Aerul condiționat nu funcționează.

Motivul 1: Nu există energie electrică. Așadar, porniți-l după conectarea la o priză cu electricitate.

Motivul 2: Indicatorul de overflow afișează „FL”. Deci, descărcați apa.

Motivul 3: Temperatura ambientă este prea scăzută sau prea mare. Așadar, recomandă să utilizați dispozitivul la temperatura de 7-35 °C (44-95 °F).

Motivul 4: În modul de răcire, temperatura camerei este mai mică decât temperatura setată. Deci, schimbați temperatura setată.

Motivul 5: În modul uscat, temperatura mediului este prea scăzută. Așadar, dispozitivul trebuie plasat într-o cameră cu o temperatură ambientală mai mare de 17 °C (62 °F).

Problema II: Efectul de răcire nu este bun.

Motivul 1: Există lumina directă a soarelui. Deci, trage perdeaua.

Motivul 2: Ușile sau ferestrele sunt deschise; Este multa lume; sau în regim de răcire, există alte surse de căldură. Deci, închideți ușile și ferestrele și adăugați aer condiționat nou.

Motivul 3: Filtrul EVA este murdar. Deci, curățați-l.

Motivul 4: Intrarea sau ieșirea aerului este blocată. Deci, obstrucții clare.

Problema III: Zgomot mare

Motiv: dispozitivul nu este plasat pe o suprafață plană. Așadar, puneți dispozitivul pe un loc plat și greu pentru a reduce zgomotul.

Problema IV: Compresorul nu funcționează.

Motiv: Protecția la supraîncălzire începe. Deci, așteptați 3 minute până când temperatura este scăzută, apoi reporniți mașina.

Problema V.: Telecomanda nu funcționează.

Motivul 1: Distanța dintre mașină și telecomandă este prea departe. Așadar, lăsați telecomanda să se apropie de dispozitiv și asigurați-vă că telecomanda este orientată direct spre receptorul de semnal (I) de pe panoul de control.

Motivul 2: Telecomanda nu este aliniată cu direcția receptorului telecomenzii. Deci, faceți așa cum s-a spus mai sus.

Motivul 3: Bateriile sunt epuizate. Deci, înlocuiți bateriile.

Problema VI: Afișează „E1”.

Motiv: Senzorul de temperatură al conductei este anormal. Prin urmare, vă rugăm să contactați o organizație de service autorizată.

Problema VII: Afișează „E2”

Motiv: Senzorul de temperatură a camerei este anormal. Deci, vă rugăm să contactați organizația de service autorizată.

Notă: Dacă apar probleme care nu sunt enumerate în tabel sau soluțiile recomandate nu funcționează, vă rugăm să contactați organizația de servicii profesionale.

#### DATE TEHNICE:

Capacitate de răcire la BTU: 7000 BTU / oră

Capacitate de răcire în wați: 2060W

Consumul de energie (răcire) W: 792 W

Volum: <= 65dB

Debit de aer: 300 m<sup>3</sup> / h

Clasa energetică: A

Cronometru: 24 de ore

Greutatea lichidului de răcire R290: max. 130 grame



Atenție, risc de incendiu.

NU străpungeți și nu ardeți.

Rețineți că agentul frigorific nu poate conține miros.



Din grija pentru mediul înconjurător. Ambalajele din carton vă rugăm să le transmiteți la centrele de maculatură. Sacii din polietilenă (PE) trebuie aruncați în recipientele pentru materialele plastice. Dispozitivul uzat trebuie transmis la punctul corespunzător de depozitare, deoarece componentele periculoase care se găsesc în dispozitiv pot fi foarte periculoase pentru mediul înconjurător. Dispozitivul electric trebuie transmis în așa fel încât să se limiteze utilizarea lui repetată. Dacă în dispozitiv se găsesc baterii acestea trebuie scoase și transmise către punctul de depozitare a acestora, separat.

## BOSANSKI

### OPĆI UVJETI SIGURNOSTI

#### VAŽNE SIGURNOSNE UPUTE PROČITAJTE UPOZORENJE I UŠTEDITE BUDUĆNOST

1. Prije upotrebe uređaja, pročitajte korisnički priručnik i slijedite upute sadržane u njemu. Proizvođač ne odgovara za štetu nastalu upotrebom uređaja suprotno njegovoj predviđenoj namjeni ili nepravilnom radu.
2. Uređaj je namenjen samo za kućnu upotrebu. Ne koristite za druge svrhe koje nisu prema njegovoj predviđenoj namjeni.
3. Uređaj treba priključiti na izmjeničnu utičnicu samo uzemljenim 220 240V ~ 50Hz. Da bi

se povećala operativna sigurnost, više električnih uređaja ne smije istovremeno biti povezano na jedan strujni krug.

4. Budite izuzetno oprezni kada koristite uređaj kada su djeca u blizini. Ne dozvolite djeci da se igraju s uređajem, ne dozvolite djeci ili osobama koje nisu upoznate s uređajem da ga koriste.

5. UPOZORENJE: Ovu opremu mogu koristiti djeca starija od 8 godina i osobe ograničene fizičke, senzorne ili mentalne sposobnosti, ili ljudi koji nemaju iskustva ili znanje o opremi, ako se to radi pod nadzorom odgovorne osobe radi njihove sigurnosti ili su im odobreni podaci o sigurnoj upotrebi uređaja i svjesni su opasnosti korištenja. Deca se ne smeju igrati sa opremom. Čišćenje i održavanje uređaja ne smiju obavljati djeca, osim ako su starija od 8 godina i ove aktivnosti se izvode pod nadzorom.

6. Uvek isključite utikač držeći utičnicu rukom nakon upotrebe. NE povlačite kabl za napajanje.

7. Nemojte uranjati kabl, utikač i cijeli uređaj u vodu ili bilo koju drugu tečnost. Ne izlažite uređaj atmosferskim uvjetima (kiša, sunce itd.) I ne koristite u uvjetima visoke vlažnosti (kupaonice, vlažne mobilne kućice).

8. Povremeno provjeravajte stanje kabela za napajanje. Ako je kabl za napajanje oštećen, zamijenite ga specijalnom servisnom radionicom kako biste izbjegli opasnost.

9. Ne koristite uređaj s oštećenim kablom za napajanje ili ako je ispaao ili oštećen na bilo koji drugi način ili ako ne radi ispravno. Ne popravljajte uređaj sami jer postoji opasnost od električnog udara. Oštećeni uređaj odnesite u odgovarajući servisni centar radi provjere ili popravljanja. Sve popravke smiju obavljati samo ovlašteni servisi. Nepravilno izvedeni popravci mogu predstavljati ozbiljnu opasnost za korisnika.

10. Uređaj postavite na hladnu i stabilnu površinu, dalje od vrućih kuhinjskih uređaja kao što su: električni štednjak, plinski plamenik itd.

11. Pazite da ništa ne blokira dovod i izlaz zraka na uređaju

12. Koristite uređaj samo na ravnoj površini kako biste spriječili da se kondenzacija prolije

13. Da biste osigurali dodatnu zaštitu, preporučljivo je u električni krug instalirati zaostalu struju (RCD), nazivna zaostala struja koja ne prelazi 30mA. Pitajte za to električara.

14. Redovno čistite filter za vazduh. Učestalost čišćenja ovisi o čistoći zraka.

15. Nakon isključenja uređaja pričekajte najmanje 5 minuta prije nego što ga ponovo uključite.

16. Ne koristite uređaj na sunčanim mjestima. Kad se uređaj pregrijava, na njemu će se uključiti zaštita od pregrijavanja.

17. Da bi se osiguralo efikasno hlađenje, treba ostati razmak od najmanje 50 cm između bočnih zidova uređaja i zida, namještaja ili zavjesa.

18. Zbog ograničenih performansi uređaja, ako je razlika između ciljne temperature i temperature okoline prevelika, ciljna temperatura možda neće biti dosegnuta.

19. Da biste smanjili rizik od požara, strujnog udara ili povreda prilikom upotrebe klima uređaja, pridržavajte se sledećih osnovnih mera predostrožnosti:

a) Spojite na uzemljenu utičnicu s 3 pina.

b) Ne uklanjajte uzemljenje.

c) Nemojte koristiti adapter.

d) Ne koristite produžni kabel.

e) Isključite klima uređaj prije servisiranja.

f) Koristite dvije ili više osoba za pomicanje i instaliranje klima uređaja.

20. Ne koristite sredstva koja ubrzavaju proces odmrzavanja ili čišćenja drugačija od onih koje je preporučio proizvođač.

21. Uređaj treba skladištiti u prostoriji bez stalno aktivnih izvora paljenja, na primjer: otvorene vatre, plinskih uređaja ili električnih grijača.

Opis uređaja - Slika A

- |                                    |                                       |
|------------------------------------|---------------------------------------|
| 1. Upravljačka ploča               | 2. Odvod hladnog zraka                |
| 3. Daljinski upravljač (slika E)   | 4. Transportna ručica                 |
| 5. Ulaz isparivača sa EVA filterom | 6. Izduvna cijev za zrak              |
| 7. Gornji otvor za odvod hladnjaka | 8. Otvor za odvod hladnjaka dole      |
| 9. Prozorski ispušni otvor         | 10. Priključak ispušne cijevi za zrak |

Opis upravljačke ploče - Slika D.

- |   |   |
|---|---|
| A. Taster za napajanje  | B. Dugme za način rada                        |
| C. Dugme za isključivanje vremena / temperature                       | D. Dugme za podešavanje vremena / temperature |
| E. Dugmi modela spavanja (D & F pritisnuti zajedno u režimu hlađenja) | F. Dugme za brzinu ventilatora                |
| G. Dugme tajmera  | H. LED ekran                                  |
| I. Signalni receptor za daljinsko upravljanje                         | J. Kontrolna lampica hladnog načina rada      |
| K. Kontrolna lampica na suvom režimu                                  | L. Kontrolna lampica režima ventilatora       |
| M. Potpuna lampica za kontrolu vode                                   | N. Kontrolna lampica načina mirovanja         |
| O. Kontrolna lampica za uključivanje / isključivanje                  | P. Kontrolna lampica vremena                  |
| Q. Lampica za kontrolu temperature                                    |   |

Daljinski upravljač - Slika E

- |   |   |
|---|---|
| A. Taster za napajanje                          | B. Dugme za način rada                        |
| C. Dugme za isključivanje vremena / temperature | D. Dugme za podešavanje vremena / temperature |
| E. Sleep model                                  | F. Dugme za brzinu ventilatora                |
| G. Dugme tajmera                                |   |

Upravljanje PANEL-om - slika D

Pritisnite tipku „A“ da biste uključili i isključili mašinu, zvučni signal će jednom reproducirati signal. Kontrolna lampica "O" upalit će se na upravljačkoj ploči.

Pritisnite tipku „B“ za prebacivanje između režima hlađenja → režim ventilatora → režim odvlaživanja.

Pritisnite tipku „D / C“ gore / dolje za promjenu temperature podešavanja ili vremena podešavanja, postupite na sljedeći način:

- Dok postavljate temperaturu, pritisnite tipku za gornje i dolje odabir željene temperature (nije dostupno u režimu ventilatora ili odvlaživanja).

- Dok postavljate vrijeme, pritisnite tipku za gore ili dolje za odabir željenog vremena.

Pritisnite tipku „F“ za odabir brzine ventilatora:

- U režimu hlađenja i ventilatora, pritisnite dugme „F“ da biste izabrali rad sa visokom ili niskom brzinom vetra. U previše hladnim uvjetima možda se neće odvijati u skladu s postavljenom brzinom vjetra.

- U režimu odvlaživanja vlage, pritisak na dugme "F" je nevažeci, a ventilator će silom izabrati rad sa niskom brzinom vetra.

Pritisnite tipku "E" za odabir načina mirovanja:

- U režimu hlađenja pritisnite oba tastera „F“ i „D“ da biste uključili stanje mirovanja, a zatim će jedinica raditi na uštedi energije i tihog tipa. Kontrolna lampica „N“ stanja mirovanja uključit će se na upravljačkoj ploči.



Pritisnite tipku „G“ za odabir perioda rada, kada LCD zaslon treperi, pritisnite tipku gore „D“ ili tipku za dolje „C“ za odabir željenog vremenskog raspona. Vremensko podešavanje vremena 1-24 sata i može se podesiti gore ili dolje za jedan sat. Treperenje će brzo prestati i LED ekran će se vratiti kako bi pokazao očekivanu temperaturu okoline.

Funkcija odgode pokretanja:

- podešavanje odlaganja uključivanja:

Isključite uređaj, a zatim pritisnite tipku "G", zatim pritisnite tipku gore "D" ili tipku za dolje "C" za odabir potrebne vrijednosti vremena. Maksimalna snaga na kašnjenju je 24 sata. Uređaj će se uključiti nakon isteka vremena odgode.

- podešavanje kašnjenja isključenog napajanja:

Uključite uređaj, a zatim pritisnite dugme "G", zatim pritisnite dugme "D" ili dugme "C" da biste odabrali potrebnu vrednost vremena. Maksimalno vrijeme odgode isključivanja je 24 sata. Uređaj će se isključiti nakon isteka vremena odgode.

Rad DALJINSKI UPRAVLJAČ - slika E

Daljinski regulator šalje signale sistemu.

Taster "A" - aparat će se pokrenuti kada se napaja ili će se zaustaviti kada radi, ako pritisnete ovo dugme.

Dugme "B" - pritisnite ga za odabir režima rada: hladni režim → suhi režim → režim ventilatora.

Dugme "C" / "D" - pritisnite da podesite temperaturu u sobi i tajmer.

Taster "E" - pritisnite da biste postavili ili otkazali režim spavanja.

Taster "F" - pritisnite ga da biste odabrali brzinu ventilatora u slijedu: niska / velika brzina vjetra.

Taster "G" - pritisnite da podesite vrijeme rada od 1 do 24 sata.

UREĐAJI ZA ZAŠTITU

1. Funkcija zaštite od smrzavanja:

U načinu hlađenja, odvlaživanja ili uštede energije, ako je temperatura ispušne cijevi preniska, stroj će automatski ući u zaštitni status; ako temperatura ispušne cijevi poraste na određenu temperaturu, može se automatski vratiti u normalan rad.

2. Funkcija zaštite od prelijevanja „M“:

Kad voda u posudi za vodu pređe nivo upozorenja, mašina će automatski oglasiti alarm, a treptala će „FULL“ indikatorska lampica „M“. U ovom trenutku isпустite vodu prema uputstvima za drenažu. Nakon ispražnjenja vode, stroj će se automatski vratiti u prvobitno stanje.

3. Funkcija zaštite kompresora

Da bi se povećao radni vijek kompresora, on ima funkciju zaštite od 3 minute odgađanja pokretanja nakon isključivanja kompresora.

UPUTE ZA DRŽAVU:

Ova mašina ima dvije metode drenaže: ručnu drenažu i kontinuiranu drenažu.

1. Ručna odvodnja - slika F1.

Kad se uređaj zaustavi nakon što se voda napuni, na kontrolnoj tabli vidite da treperi kontrolna lampica „M“.

Isključite napajanje uređaja i iskopčajte utikač iz napajanja. Pažljivo pomerite mašinu, da ne bi prosuli vodu u posudu za vodu na dnu tela. Postavite posudu za vodu ispod otvora za vodu iza kućišta. Odvijte otvor za odvod dolje hladnjaka (8) i odvojite utikač iz vode, voda će automatski teći u spremnik za vodu. Držite poklopac za odvod i vodni utikač pravilno. Tokom drenaže tijelo se može blago nagnuti prema natrag. Ako spremnik za vodu ne može zadržati svu vodu, prije nego što je spremnik za vodu napunjen, što je prije moguće napunite utičnicu vodom da se spriječi dotok vode na pod ili u tepih. Kad se voda isprazni, napunite čep za vodu i zategnite poklopac za odvod.

2. Kontinuirana odvodnjavanje - opcija primenljiva SAMO na način odvlaživanja - prikazana na slici F2.

Odvijte poklopac za odvod i iskopčajte utikač iz vode. Postavite odvodnu cijev (nije u kompletu) u otvor za vodu.

Priključite odvodnu cijev na kantu.

ČIŠĆENJE I ODRŽAVANJE

Čišćenje: prije čišćenja i održavanja isključite stroj i iskopčajte utikač.

a) Čišćenje kućišta

Očistite površinom uređaja vlažnom mekom krpom. Ne koristite hemikalije, poput benzena, alkohola, benzina, u protivnom će se površina uređaja oštetiti ili čak cijela mašina biti oštećena.

#### b) Čišćenje EVA filtera

Ako je zaslon filtra začepljen prašinom, a učinkovitost uređaja je smanjena, budite sigurni da očistite filterski zaslon jednom u dvije sedmice.

- Očistite gornji okvir ekrana filtra - slika G.

- Otpustite jedan vijak na stražnjem poklopcu i uklonite EVA mrežicu filtera (5).

- Stavite filter u toplu vodu s neutralnim deterdžentom (oko 40 °C / 104 °F) i osušite ga u hladu nakon što ste ga isprali čistim.

#### SKLADIŠTENJE

1. Odvijte poklopac za odvod, iskopčajte utikač iz vode i ispraznite vodu u posudu za vodu u druge posude za vodu ili direktno nagnite kućište da biste vodu izbacili u druge posude.

2. Uključite uređaj, podesite ga na način rada ventilatora male brzine i održavajte to stanje sve dok odvodna cijev (nije u kompletu) ne postane suha, kako bi unutrašnjost kućišta bila suha i spriječila da plijesni. .

3. Isključite uređaj, izvadite utikač iz utičnice, umetnite utikač i poklopac za pražnjenje.

4. Uklonite elemente izduvne cijevi za zrak.

5. Pokrijte klima uređaj plastičnom kesom. Klimatizaciju stavite na suvo mesto, držite je van dohvata dece i poduzmite mere za kontrolu prašine.

6. Izvadite baterije daljinskog upravljača i pravilno ih držite.

#### RJEŠAVANJE RJEŠAVANJA

Ne popravljajte uređaj sami. Kvalifikovani popravak poništava garanciju.

Problem I.: Klima ne radi.

Razlog 1: Nema struje. Dakle, uključite ga nakon što ga priključite u utičnicu sa strujom.

Razlog 2: Indikator prelijevanja prikazuje "FL". Dakle, ispustite vodu.

Razlog 3: Temperatura okoline je preniska ili previsoka. Stoga, preporučujemo da uređaj koristite na temperaturi od 7-35 °C (44-95 °F).

Razlog 4: U načinu hlađenja, sobna temperatura je niža od postavljene. Dakle, promijenite postavljenu temperaturu.

Razlog 5: U suhom režimu je temperatura okoline preniska. Dakle, uređaj treba smjestiti u prostoriju sa sobnom temperaturom većom od 17 °C (62 °F).

Problem II.: Učinak hlađenja nije dobar.

Razlog 1: Postoji direktno sunčevo svjetlo. Dakle, povucite zavjesu.

Razlog 2: Vrata ili prozori su otvoreni; puno je ljudi; ili u načinu hlađenja postoje drugi izvori toplote. Dakle, zatvorite vrata i prozore, te dodajte novi klima uređaj.

Razlog 3: EVA filter je prljav. Dakle, očistite ga.

Razlog 4: Ulaz ili izlaz zraka je blokiran. Dakle, jasne opstrukcije.

III problem: veliki šum

Razlog: Uređaj nije postavljen na ravnu površinu. Stoga uređaj postavite na ravno i tvrdo mjesto da smanjuje buku.

Problem IV.: Kompresor ne radi.

Razlog: Počinje zaštitna od pregrijavanja. Dakle, pričekajte 3 minute dok se temperatura ne spusti, a zatim ponovno pokrenite mašinu.

Problem V.: Daljinski upravljač ne radi.

Razlog 1: Udaljenost između mašine i daljinskog upravljača je prevelika. Dakle, pustite daljinski upravljač da se približi uređaju i provjerite je li daljinski upravljač direktno okrenut signalnom receptoru (I) na upravljačkoj ploči.

Razlog 2: Daljinski upravljač nije usklađen sa smjerom prijemnika daljinskog upravljača. Dakle, napravite kao gore.

Razlog 3: Baterije su iscrpljene. Dakle, zamijenite baterije.

Problem VI.: Prikazuje "E1".

Razlog: Senzor temperature cijevi je nenormalan. Stoga se obratite ovlaštenoj servisnoj organizaciji.

Problem VII.: Prikazuje "E2"

Razlog: Senzor sobne temperature je nenormalan. Zato se obratite ovlašćenoj servisnoj organizaciji.

Napomena: Ako se problemi koji nisu navedeni u tablici pojave ili preporučena rješenja ne funkcionišu, obratite se profesionalnoj servisnoj organizaciji.

#### TEHNIČKI PODACI:

Kapacitet hlađenja na BTU: 7000 BTU / sat

Kapacitet hlađenja u vatima: 2060W

Potrošnja energije (hlađenje) W: 792 W

Zapremina: <= 65dB

Protok zraka: 300 m<sup>3</sup> / h

Energetski razred: A

Tajmer: 24 sata

Težina R290 rashladne tečnosti: max. 130 grama



Brinuci za okoliš. Molimo Vas da kartonska pakovanja odnesete u otkup otpadnog papira. Polietilenske džakove (PE) bacajte u kontejner za plastiku. Iskorišćen uređaj treba odneti na odgovarajuću deponiju, jer opasni sastojci koji se u njemu nalaze, mogu biti opasni za okoliš. Električni uređaj treba odneti na način, koji ograničava njegovu ponovnu upotrebu i korištenje. Ako se u uređaju nalaze baterije, treba ih izvaditi i odvojeno predati na deponiju. Uređaj se ne smije bacati u kontejner za komunalni otpad!!



Oprez, opasnost od požara  
NE bušite i ne palite.

Imajte na umu da rashladno sredstvo ne sadrži miris.

## MAGYAR

### ÁLTALÁNOS BIZTONSÁGI FELTÉTELEK

### FONTOS BIZTONSÁGI UTASÍTÁSOK FIGYELMESEN OLVASSA EL ÉS TÖRVÉNYE JÖVŐBEN

1. A készülék használata előtt olvassa el a használati útmutatót, és kövesse az abban található utasításokat. A gyártó nem felel a kárért, amelyet az eszköz rendeltetésszerű használatának vagy nem megfelelő működésének okozott.
2. A készülék csak otthoni használatra készült. Ne használja más célra, amely nem a rendeltetésszerű.
3. A készüléket csak földelt 220 240 V ~ 50 Hz feszültségű hálózati aljzathoz szabad csatlakoztatni. Az üzembiztonság növelése érdekében több elektromos készüléket nem szabad egyszerre csatlakoztatni egy áramkörhöz.
4. Nagyon óvatosan járjon el az eszköz használatakor, ha a közelben vannak gyermekek. Ne engedje, hogy gyermekek játszanak az eszközzel, ne engedjék, hogy gyermekek vagy a készüléket ismeretlen emberek használják.
5. FIGYELMEZTETÉS: Ezt a készüléket 8 évesnél idősebb gyermekek és korlátozott fizikai, érzékszervi vagy mentális képességekkel rendelkező személyek, vagy azok a személyek használhatják, akiknek nincs tapasztalata vagy ismerete a berendezésről, ha ezt egy felelős személy felügyelete alatt végzik. biztonságuk érdekében, vagy információkat kaptak nekik az eszköz biztonságos használatáról, és tisztában vannak annak használatának veszélyeivel. A gyermekek nem játszhatnak a felszereléssel. Az eszköz tisztítását és karbantartását csak gyermekek végezhetik, kivéve ha 8 évesnél idősebbek, és ezeket a tevékenységeket felügyelet mellett végzik el.
6. Használat után mindig húzza ki a hálózati csatlakozót az aljzat kezével. NE húzza be a tápkábelt.
7. Ne merítse a kábelt, a dugót és az egész készüléket vízbe vagy más folyadékba. Ne tegye ki a készüléket légköri körülményeknek (eső, nap, stb.), illetve ne használja magas páratartalom esetén (fürdőszoba, nedves mobilházak).

8. Rendszeresen ellenőrizze a tápkábel állapotát. Ha a tápkábel sérült, akkor a veszély elkerülése érdekében szakszervizben kell cserélni.
9. Ne használja a készüléket sérült tápkábellel, ha leesett vagy egyéb módon megsérült, vagy nem működik megfelelően. Ne javítsa saját kezűleg a készüléket, mert fennáll az áramütés veszélye. Vigye a sérült készüléket megfelelő szervizközpontba ellenőrzés vagy javítás céljából. Minden javítást csak hivatalos szerviz végezhet. A helytelenül elvégzett javítások súlyos veszélyt jelenthetnek a felhasználó számára.
10. Helyezze a készüléket hűvös, stabil felületre, távol a forró konyhai készülékektől, például: elektromos tűzhely, gázégő stb.
11. Ellenőrizze, hogy semmi nem akadályozza-e a készülék levegő be- és kimenetet
12. A készüléket csak sík felületen használja, hogy megakadályozza a kondenzvíz kiömlését
13. A kiegészítő védelem érdekében tanácsos az áramkörbe beépíteni olyan maradékáram-eszközt (RCD), amelynek névleges maradékáram nem haladja meg a 30 mA-t. Kérdezzen egy villanyszerelőtől.
14. Rendszeresen tisztítsa meg a légszűrőt. A tisztítás gyakorisága a levegő tisztaságától függ.
15. A gép kikapcsolása után várjon legalább 5 percet, mielőtt újra bekapcsolja.
16. Ne használja a készüléket napos helyeken. Amikor a készülék túlmeleged, a túlmelegedés elleni védelem bekapcsol.
17. A hatékony hűtés érdekében legalább 50 cm távolságot kell tartani a készülék oldalfalai és a fal, a bútor vagy a függöny között.
18. Az eszköz korlátozott teljesítménye miatt, ha a célhőmérséklet és a környezeti hőmérséklet közötti különbség túl nagy, előfordulhat, hogy a célhőmérsékletet nem éri el.
19. A légkondicionáló használatakor a tűz, áramütés vagy sérülés kockázatának csökkentése érdekében tartsa be a következő alapvető óvintézkedéseket:
  - a) Csatlakoztasson egy földelt aljzathoz 3 érintkezővel.
  - b) Ne vegye le a földelő karot.
  - c) Ne használja az adaptert.
  - d) Ne használjon hosszabbítót.
  - e) Szervizelés előtt húzza ki a légkondicionálót.
  - f) Használjon két vagy több embert a légkondicionáló mozgatásához és felszereléséhez.
20. A leolvasztás vagy tisztítás felgyorsítását célzó szereket csak a gyártó által ajánlott módon használjon.
21. Az eszközt olyan helyiségben kell tárolni, ahol nem működnek állandóan működő gyújtóforrások, például: nyílt tűz, gázkészülékek vagy elektromos fűtőberendezések.

Készülék leírása - A kép

- |  |                                       |
|--|---------------------------------------|
| 1. Vezérlőpult                               | 2. Hideg levegő kimenet               |
| 3. Távirányító (E kép)                       | 4. Szállítás fogantyúja               |
| 5. Párologtató bemeneti nyílás EVA szűrővel. | 6. Levegő kipufogócső                 |
| 7. A felső hűtőcsatorna-lyuk                 | 8. A hűtőcsatorna-levezető lyuk       |
| 9. Ablak kipufogó adapter                    | 10. A levegő kipufogócső csatlakozója |

Vezérlőpult leírása - D. kép

- |                    |                  |
|--------------------|------------------|
| A. Bekapcsoló gomb | B. Üzem mód gomb |
|--------------------|------------------|

C. Időzítő / hőmérséklet le gomb  
E. Alvó modell gombok (D & F hűtés üzemmódban együtt nyomva)  
G. Időzítő gomb  
I. A távirányító jelfogadója  
K. Száraz üzemmódú ellenőrző lámpa  
M. Teljes víz ellenőrző lámpa  
O. A be- és kikapcsoló ellenőrző lámpa  
Q. hőmérséklet-ellenőrző lámpa

D. Időzítő / hőmérséklet fel gomb  
F. Ventilátor sebesség gomb  
H. LED képernyő  
J. Hűvös üzemmódú ellenőrző lámpa  
L. Ventilátor üzemmód ellenőrző lámpa  
N. Alvó üzemmód ellenőrző lámpa  
P. Idő ellenőrző lámpa

Távirányító - E kép

A. Bekapcsoló gomb  
C. Időzítő / hőmérséklet le gomb  
E. Alvó modell  
G. Időzítő gomb

B. Üzemmód gomb  
D. Időzítő / hőmérséklet fel gomb  
F. Ventilátor sebesség gomb

A KEZELŐPANEL működése - D. kép

Nyomja meg az „A” gombot a készülék be- és kikapcsolásához. A hangjelzés egyszer játssza le a jelet. Az „O” jelzőlámpa bekapcsolja a központot.

Nyomja meg a „B” gombot az üzemmód átváltásához a hűtési mód → ventilátor üzemmód → páráatlanító mód között.

Nyomja meg a „D / C” gombot fel / le a beállítási hőmérséklet vagy a beállítási idő megváltoztatásához, az alábbiak szerint járjon el:

- A hőmérséklet beállítása közben nyomja meg a fel vagy le gombot a kívánt hőmérséklet kiválasztásához (nem áll rendelkezésre ventilátor vagy páramentesítő üzemmódban).
- Az idő beállítása közben nyomja meg a fel vagy le gombot a kívánt idő kiválasztásához.

Nyomja meg az „F” gombot a ventilátor sebességének kiválasztásához:

- Hűtés és ventilátor üzemmódban nyomja meg az „F” gombot a magas vagy alacsony szélesebbességű üzemmód kiválasztásához. Túl hideg körülmények között előfordulhat, hogy a beállított szélesebbességnek megfelelően nem fut.
- Páramentesítés üzemmódban az „F” gomb megnyomása érvénytelen, és a ventilátor erőszakosan választja az alacsony szélesebbességű működést.

Nyomja meg az „E” gombot az alvó üzemmód kiválasztásához:

- Hűtési üzemmódban nyomja meg mindkét „F” és „D” gombot az alvó üzemmód bekapcsolásához, majd az egység Energiatakarékos és csendes típusú üzemmódban működik. Az „N” alvásmodell ellenőrző lámpa bekapcsolja a központot.

Nyomja meg a „G” gombot a működési időszak kiválasztásához, amikor az LCD képernyő villog, nyomja meg a felfelé lévő „D” vagy a „C” gombot a kívánt időtartomány kiválasztásához. Időbeállítási tartomány: 1-24 óra, és egy órával fel vagy le lehet állítani. A villogás hamarosan véget ér, és a LED képernyő visszatér a várható környezeti hőmérséklet megjelenítéséhez.

Késleltetett indítási funkció:

- Bekapcsolási késleltetés beállítása:

Kapcsolja ki a készüléket, majd nyomja meg a „G” gombot, majd nyomja meg a felfelé mutató „D” vagy lefelé mutató „C” a kívánt időérték kiválasztásához. A késleltetés maximális bekapcsolási ideje 24 óra. Az eszköz a késleltetési idő letelte után bekapcsol.

- Kikapcsolás késleltetés beállítása:

Kapcsolja be a készüléket, majd nyomja meg a „G” gombot, majd nyomja meg a felfelé mutató „D” vagy lefelé mutató „C” a kívánt időérték kiválasztásához. A maximális kikapcsolási késleltetési idő 24 óra. Az eszköz a késleltetési idő letelte után kikapcsol.

TÁVvezérlő működése - E kép

A távirányító jeleket továbbít a rendszerre.

- "A" gomb - a készülék bekapcsol, ha feszültség alatt áll, vagy működés közben leáll, ha ezt a gombot megnyomja.
- "B" gomb - nyomja meg ezt az üzemmód kiválasztásához: hűvös üzemmód → száraz üzemmód → ventilátor üzemmód.
- "C" / "D" gomb - nyomja meg a gombot a szobahőmérséklet és az időzítő beállításához.
- "E" gomb - nyomja meg az alvó üzemmód beállításához vagy visszavonásához.
- "F" gomb - nyomja meg a ventilátor sebességének sorrendjének kiválasztásához: alacsony / magas szélesség.
- "G" gomb - nyomja meg, hogy a működési időt 1 és 24 óra között állítsa.

## VÉDELMI ESZKÖZÖK

### 1. Fagyvédelmi funkció:

Hűtés, szárítás vagy energiatakarékos üzemmódban, ha a kipufogócső hőmérséklete túl alacsony, a gép automatikusan védelmi állapotba kerül; Ha a kipufogócső hőmérséklete egy bizonyos hőmérsékletre emelkedik, akkor automatikusan visszatér a normál működéshez.

### 2. Az „M” túlcserélésvédő funkció:

Amikor a víz a víztartályban meghaladja a figyelmeztetési szintet, a gép automatikusan riasztást ad, és a „FULL” jelzőfény „M” villogni kezd. Ekkor engedje le a vizet a vízelvezetési utasítások szerint. A víz ürítése után a gép automatikusan visszatér az eredeti állapotba.

### 3. A kompresszor védelmi funkciója

A kompresszor élettartamának növelése érdekében a kompresszor kikapcsolása után 3 perces késleltetési indítási védelmi funkcióval rendelkezik.

## SZERELÉSI ÚTMUTATÓ:

Ez a gép két vízelvezetési módszerrel rendelkezik: kézi és folyamatos vízelvezetés.

### 1. Kézi vízelvezetés - F1 kép.

Amikor a készülék leáll, miután a víz megtelt, akkor a kezelőpanelen az "M" jelzőfény villog. Kapcsolja ki a készüléket és húzza ki a hálózati csatlakozót. Óvatosan mozgassa a gépet, hogy ne ömljön ki a víz a test alján lévő víztartályba. Helyezze a víztartályt a ház mögött lévő kimeneti nyílás alá. Csavarja le a hűtő leeresztőnyílását (8) és húzza ki a vízdugaszt, a víz automatikusan befolyik a víztartályba. Tartsa megfelelően a vízelvezetőt és a vízcsonkcsatlakozót. A vízelvezetés során a testet kissé hátra lehet dönteni. Ha a víztartály nem képes az összes vizet eltartani, akkor a víztartály megtelik, mielőtt a víztartály megtelik, és a lehető leghamarabb töltse be a vízkivezetést a vízdugóval, hogy megakadályozza a víz áramlását a padlóra vagy a szőnyegre. Amikor a víz kifolyik, töltse be a dugót és húzza meg a vízelvezető fedelet.

### 2. Folyamatos vízelvezetés - CSAK szárítás üzemmódban alkalmazható opció - látható az F2 képen.

Csavarja le a vízelvezető fedelet, és húzza ki a vízdugaszt. Helyezze a lefolyócsövet (a készlet nem tartalmazza) a vízkivezető nyílásba. Csatlakoztassa a vízelvezető csövet a vödörhez.

## TISZTÍTÁS ÉS KARBANTARTÁS

Tisztítás: tisztítás és karbantartás előtt kapcsolja ki a készüléket, és húzza ki a csatlakozódugót.

### a) A ház tisztítása

Tisztítsa meg a készülék felületét nedves, puha ruhával. Ne használjon vegyszereket, például benzolt, alkoholt, benzint, különben a készülék felülete megsérül, vagy akár az egész gép is megsérülhet.

### b) EVA szűrőtisztítás

Ha a szűrőszűrő por eltömődött, és az eszköz hatékonysága csökken, akkor minden héten tisztítsa meg a szűrőképernyőt.

- Tisztítsa meg a szűrő felső részének keretét - G. kép

- Lazítson meg egy csavart a hátlapon, és távolítsa el az EVA szűrő hálóját (5).

- Helyezze a szűrőt semleges mosószerrel (kb. 40 °C / 104 °C) meleg vízbe, és a tiszta öblítés után szárítsa meg az árnyékban.

## TÁROLÁS

1. Csavarja le a vízelvezető fedelet, húzza ki a vízcsonkcsatlakozót, és engedje ki a víztartályban lévő vizet más víztartályokba, vagy döntse közvetlenül a házat, hogy a víz más tartályokba kerüljön.

2. Kapcsolja be a készüléket, állítsa alacsony fordulatszámú ventilátor üzemmódba, és tartsa ezt az állapotot mindaddig, amíg a vízvezető cső (nem tartozék a készletbe) kiszárad, hogy a ház belseje száraz állapotban maradjon, és megakadályozzák, hogy az megfodródjon. .
3. Kapcsolja ki az eszközt, vegye ki a dugót az aljzathból, helyezze be a dugót és a leeresztő fedelet.
4. Távolítsa el a levegő kipufogócső elemeit.
5. Fedje le a légkondicionálót műanyag zacskóval. Helyezze a légkondicionálót száraz helyre, tartsa gyermekektől elzárva, és tegye meg a porvédő intézkedéseket.
6. Vegye ki a távirányító elemeit és tartsa megfelelően.

## HIBAELHÁRÍTÁS

A készüléket ne javítsa saját maga. A minősített javítás érvényteleníti a jótállást.

I. probléma: A légkondicionáló nem működik.

1. ok: Nincs áram. Tehát kapcsolja be, miután csatlakoztatta egy elektromos aljzathoz.
2. ok: A túlcordulás-jelző "FL" -et jelenít meg. Tehát engedje le a vizet.
3. ok: A környezeti hőmérséklet túl alacsony vagy túl magas. Ezért javasoljuk, hogy a készüléket 7-35 °C (44-95 °F) hőmérsékleten használja.
4. ok: Hűtés módban a helyiség hőmérséklete alacsonyabb, mint a beállított hőmérséklet. Tehát változtassa meg a beállított hőmérsékletet.
5. ok: Száraz üzemmódban a környezeti hőmérséklet túl alacsony. Tehát a készüléket olyan helyiségben kell elhelyezni, amelynek környezeti hőmérséklete meghaladja a 17 °C (62 °F) hőmérsékletet.

II. Probléma: A hűtési hatás nem jó.

1. ok: Közvetlen napfény van. Tehát húzza a függönyt.
2. ok: Az ajtók vagy ablakok nyitva vannak; sok ember van; vagy hűtés módban vannak más hőforrások. Tehát csukja be az ajtókat és az ablakokat, és adjon hozzá új légkondicionálót.
3. ok: Az EVA szűrő piszkos. Szóval, tisztítsa meg.
4. ok: A levegő be- vagy kimenete el van zárva. Tehát törölje az akadályokat.

III. Probléma: Nagy zaj

Ok: A készüléket nem sima felületre kell helyezni. Tehát helyezze a készüléket egy sima és kemény helyre a zaj csökkentése érdekében.

IV. Probléma: A kompresszor nem működik.

Ok: Elindul a túlmelegedés elleni védelem. Tehát várjon 3 percig, amíg a hőmérséklet le nem csökken, majd indítsa újra a gépet.

V. probléma: A távirányító nem működik.

1. ok: A gép és a távirányító közötti távolság túl nagy. Tehát hagyja, hogy a távirányító közel kerüljön az eszközhöz, és ügyeljen arra, hogy a távirányító közvetlenül a kezelőpanelen lévő (I) jel-vevő felé nézzen.
2. ok: A távirányító nem igazodik a távirányító vevő irányához. Tehát tegye a fentiek szerint.
3. ok: Az elemek kimerültek. Tehát cserélje ki az elemeket.

VI. Probléma: Az „E1” kijelzést jeleníti meg.

Ok: A cső hőmérséklet-érzékelője kóros. Ezért kérjük, vegye fel a kapcsolatot egy hivatalos szervizzel.

VII. Probléma: Az „E2” felirat jelenik meg

Ok: A szobahőmérséklet-érzékelő rendellenes. Tehát vegye fel a kapcsolatot a hivatalos szervizzel.

Megjegyzés: Ha a táblázatban fel nem sorolt problémák merülnek fel, vagy az ajánlott megoldások nem működnek, vegye fel a kapcsolatot a szakszervizzel.

## MŰSZAKI ADATOK:

Hűtőteljesítmény BTU-nál: 7000 BTU / óra

Hűtési teljesítmény wattban: 2060W

Energiafogyasztás (hűtés) W: 792 W

Térfogat: <= 65dB

Légáram: 300 m3 / h

Energiaosztály: A

Időzítő: 24 óra

R290 hűtőközeg tömege: max. 130 gramm

A környezet védelme érdekében kérjük külön karton dobozok és műanyag zsákokat és dobja őket a megfelelő hulladék közé. Használt készüléket kell eljuttatni a kijelölt gyűjtőhelyekre miatt veszélyes elemek alkatrészeket, amelyek hatással lehetnek a környezetre. Ne dobja a készüléket a közös



Vigyázat, tűzveszély.

NE átszúrja vagy égesse.

Vegye figyelembe, hogy a hűtőközeg nem tartalmazhat szagokat.



## YLEISET TURVALLISUUSOLOSUHTEET

## TÄRKEITÄ TURVAOHJEITA LUE HUOLELLISESTI JA SÄILYTTÄ TULEVAISUUTTA

1. Lue käyttöohjeet ja noudata niiden ohjeita ennen laitteen käyttöä. Valmistaja ei ole vastuussa vahingoista, jotka aiheutuvat laitteen käyttötarkoituksen vastaisesta käytöstä tai virheellisestä käytöstä.
2. Laite on tarkoitettu vain kotikäyttöön. Älä käytä muihin tarkoituksiin, jotka eivät ole sen käyttötarkoitukseen.
3. Laite saa kytkeä vain pistorasiaan, jonka maadoitus on 220 240 V ~ 50 Hz. Käyttöturvallisuuden lisäämiseksi useita sähkölaitteita ei tule kytkeä samaan virtapiiriin.
4. Ole erityisen varovainen käyttäessäsi laitetta, kun lapset ovat lähellä. Älä anna lasten leikkiä laitteen kanssa, älä anna lasten tai muiden tuntemattomien käyttää sitä.
5. VAROITUS: Tätä laitetta voivat käyttää yli 8-vuotiaat lapset ja henkilöt, joilla on rajoitetut fyysiset, aisti- tai henkiset kyvyt tai ihmiset, joilla ei ole kokemusta tai tietoa laitteista, jos tämä tehdään vastuussa olevan henkilön valvonnassa. heidän turvallisuutensa vuoksi tai heille on annettu tietoja laitteen turvallisesta käytöstä ja he ovat tietoisia laitteen käytön vaaroista. Lasten ei tulisi leikkiä laitteilla. Laitetta ei saa puhdistaa ja huoltaa, elleivät lapset ole yli 8-vuotiaita ja nämä toimet suoritetaan valvonnassa.
6. Irrota virtajohto aina pitämällä pistorasiaa kädellä käytön jälkeen. ÄLÄ vedä virtajohtoa.
7. Älä upota kaapelia, pistoketta ja koko laitetta veteen tai muuhun nesteeseen. Älä altista laitetta ilmasto-olosuhteille (sade, aurinko jne.) Tai käytä korkean kosteuden olosuhteissa (kylpyhuoneet, kosteat asuntovaunut).
8. Tarkista säännöllisesti virtajohdon kunto. Jos virtajohto on vaurioitunut, se on vaihdettava erikoistuneeseen korjaamoon vaaran välttämiseksi.
9. Älä käytä laitetta vaurioituneen virtajohdon kanssa tai jos se on pudonnut tai vaurioitunut jollakin muulla tavalla tai jos se ei toimi oikein. Älä korjaa laitetta itse, koska siinä on sähköiskun vaara. Vie vaurioitunut laite asianmukaiseen huoltokeskukseen tarkistamista tai korjaamista varten. Kaikki korjaukset saa suorittaa vain valtuutetut huoltoliikkeet. Väärin suoritettavat korjaukset voivat aiheuttaa vakavan vaaran käyttäjälle.
10. Sijoita laite viileälle, vakaalle alustalle, pois kuumista keittiövälineistä, kuten sähköliesi, kaasupoltin jne.
11. Varmista, että mikään ei estä laitteen ilmanottoa ja poistoa
12. Käytä laitetta vain tasaisella pinnalla estämään kondenssiveden valuminen
13. Lisäsuojauksen tarjoamiseksi on suositeltavaa asentaa sähkövirtapiiriin jäännösvirtalaite (RCD), jonka nimellisvirtavirta ei ylitä 30mA. Pyydä sitä sähköasentajalta.
14. Puhdista ilmansuodatin säännöllisesti. Puhdistuksen tiheys riippuu ilman puhtaudesta.
15. Kun olet sammuttanut koneen, odota vähintään 5 minuuttia ennen kuin kytket sen takaisin päälle.
16. Älä käytä laitetta aurinkoisissa paikoissa. Kun laite ylikuumenee, ylikuumenemissuoja kytkee laitteen päälle.
17. Tehokkaan jäähdytyksen varmistamiseksi laitteen sivuseinämien ja seinän,



huonekalujen tai verhojen välillä on pidettävä vähintään 50 cm: n etäisyys.

18. Laitteen rajallisen suorituskyvyn vuoksi, jos tavoitelämpötilan ja ympäristön lämpötilan välinen ero on liian suuri, tavoitelämpötilaa ei ehkä saavuteta.

19. Tulipalo-, sähköisku- tai loukkaantumisriskin vähentämiseksi ilmastointilaitetta käytettäessä noudata seuraavia perusvarotoimia:

- a) Kytke maadoitettuun pistorasiaan 3 tapilla.
- b) Älä poista maadoituskärkiä.
- c) Älä käytä sovitinta.
- d) Älä käytä jatkojohtoa.
- e) Irrota ilmastointilaitte ennen huoltoa.
- f) Siirrä ja asenna ilmastointilaitte kahdella tai useammalla henkilöllä.

20. Älä käytä muita kuin valmistajan suosittelemia aineita, jotka nopeuttavat sulatus- tai puhdistusprosessia.

21. Laitetta tulisi varastoida huoneessa, jossa ei ole jatkuvasti toimivia syytyslähteitä, esimerkiksi: avotuli, kaasulaitteet tai sähkölämmittimet.

Laitteen kuvaus - Kuva A

- |   |                                    |
|---|------------------------------------|
| 1. Ohjauspaneeli                            | 2. Kylmän ilman poistoaukko        |
| 3. Kaukosäädin (kuva E)                     | 4. Kuljetuskahva                   |
| 5. Höyrystimen sisääntulo EVA-suodattimella | 6. Ilmanpoistoputki                |
| 7. Yläjäädyttimen tyhjennysaukko            | 8. Jäädyttimen tyhjennysaukko alas |
| 9. Ikkunoiden pakoputken sovitin            | 10. Ilmanpoistoputken liitin       |

Ohjauspaneelin kuvaus - Kuva D.

- |  |                                      |
|--|--------------------------------------|
| A. Virtapainike  | B. Tilapainike                       |
| C. Ajastin / Lämpötila alas -painike                                 | D. Ajastin / Lämpötila ylös -painike |
| E. Sleep-mallin painikkeet (D & F painetaan yhdessä jäädytystilassa) | F. Puhaltimen nopeuspainike          |
| G. Ajastinpainike  | H. LED-näyttö                        |
| I. Kaukosäätimen signaalinvastaanotin                                | J. Jäädytystilan hallintalamppu      |
| K. Kuivatilan säätölamppu  | L. Tuulettimen tilan valvontalamppu  |
| M. Täysvesisäätimen merkivalo  | N. Lepotilan valvontalamppu          |
| O. Kytke virta päälle / pois päältä                                  | P. Ajanvalo                          |
| Q. lämpötilansäätölamppu   |                                      |

Kaukosäädin - Kuva E

- |                                      |                                      |
|--------------------------------------|--------------------------------------|
| A. Virtapainike                      | B. Tilapainike                       |
| C. Ajastin / Lämpötila alas -painike | D. Ajastin / Lämpötila ylös -painike |
| E. Lepomalli                         | F. Tuulettimen nopeuspainike         |
| G. Ajastinpainike                    |                                      |

OHJAUSPANEELI toiminta - kuva D

Paina painiketta "A" laitteen kytkemiseksi päälle ja pois päältä. Summeri soittaa signaalin kerran. Ohjauslamppu "O" syttyy ohjauspaneeliin.

Paina painiketta "B" vaihtaaksesi tilaa jäädytystilan → tuulettimen tilan → ilmankuivauksen tilan välillä.

Paina painiketta "D / C" ylös / alas muuttaaksesi asetustilaa tai asetusaikaa, toimi seuraavasti:

- Lämpötilaa asettaessasi, paina painiketta ylös- tai alas-painiketta valitaksesi halutun lämpötilan (ei saatavana tuuletin- tai ilmankuivaustilassa).

- Valitse asetetun ajan kuluessa aika ylös- tai alas-painikkeella.

Valitse puhaltimen nopeus painamalla painiketta "F":

- Valitse jäädytys- ja puhallustilassa painike "F" valitaksesi korkean tai matalan tuulen nopeuden. Liian kylmissä olosuhteissa se ei välttämättä aja asetetun tuulen nopeuden mukaan.

- Kosteudenpoistotilassa painikkeen "F" painaminen on virheellinen, ja tuuletin valitsee väkisin tuulen nopeuden.

Valitse lepotila painamalla painiketta "E":

- Kytke lepotila päälle jäähdystytilassa molemmat painikkeet "F" ja "D", jolloin yksikkö toimii energiansäästö- ja hiljaisen tyyppisenä. Unimallimallin hallintalamppu "N" syttyy ohjauspaneeliin.

Valitse toimintajakso painikkeella "G". Kun LCD-näyttö vilkkuu, valitse ylöspainike "D" tai alaspainike "C" halutun ajanjakson valitsemiseksi. Aika-asetusalue 1 - 24 tuntia ja sitä voidaan säätää yhdellä tunnilla. Vilkkuminen lopettaa pian ja LED-näyttö palaa odottamaan ympäristön lämpötilaan.

Viive käynnistystoiminto:

- Virta päälle -viiveasetus:

Sammuta laite ja paina sitten painiketta "G", paina seuraavaksi ylös-painiketta "D" tai alas-painiketta "C" halutun aika-arvon valitsemiseksi. Maksimi virtaviive on 24 tuntia. Laite kytketään päälle viiveajan kuluttua.

- Virta pois päältä -viiveasetus:

Kytke laite päälle ja paina sitten painiketta "G", paina seuraavaksi ylös-painiketta "D" tai alas-painiketta "C" halutun aika-arvon valitsemiseksi. Suurin virtakatkaisuviive on 24 tuntia. Laite kytketään pois päältä viiveajan kuluttua.

Kauko-ohjaimen toiminta - kuva E

Kaukosäädin lähettää signaaleja järjestelmään.

Painike "A" - laite käynnistetään, kun siihen kytketään virta, tai se pysähtyy, kun se toimii, jos painat tätä painiketta.

Painike "B" - paina sitä valitaksesi käyttötavan: viileä tila → kuiva tila → tuulettimen tila.

Painike "C" / "D" - paina säätääksesi huoneen lämpötilaa ja ajastinta.

Painike "E" - paina asettaaksesi tai peruuttaaksesi lepotilan.

Painike "F" - paina sitä valitaksesi puhaltimen nopeuden järjestyksessä: matala / korkea tuulen nopeus.

Painike "G" - paina asettaaksesi toiminta-ajan 1 - 24 tuntiin.

## SUOJAUSLAITTEET

1. Jäätymissuojatoiminto:

Jäähdytys-, ilmankuivaus- tai taloudellisessa virransäästötilassa, jos pakoputken lämpötila on liian matala, kone siirtyy automaattisesti suojaustilaan; Jos pakoputken lämpötila nousee tiettyyn lämpötilaan, se voi palata automaattisesti normaaliin toimintaan.

2. Ylivuodonsuojaustoiminto "M":

Kun vesi vesialtaassa ylittää varoitustason, kone soittaa automaattisesti hälytyksen ja "FULL" -merkkivalo "M" vilkkuu. Tyhjennä vesi tällä hetkellä viemäröintiohjeiden mukaisesti. Kun vesi on tyhjennetty, kone palaa automaattisesti alkuperäiseen tilaansa.

3. Kompressorin suojatoiminto

Kompressorin käyttöä pidentämiseksi siinä on 3 minuutin viive käynnistysuojaustoiminto kompressorin sammuttamisen jälkeen.

## VAIHTO-OHJEET:

Tällä koneella on kaksi tyhjennysmenetelmää: manuaalinen ja jatkuva tyhjennys.

1. Manuaalinen viemäröinti - kuva F1.

Kun laite pysähtyy, kun vesi on täynnä, näet ohjauspaneelissa "M" -valo vilkkuu. Sammuta laitteen virta ja irrota virtajohto pistorasiasta. Siirrä konetta varovasti, jotta vesi ei vuoda vettä rungon pohjassa olevaan astiaan. Aseta vesisäiliö kotelon takana olevan vedenpoistoaukon alle. Kierrä alas jäähdyttimen tyhjennysreikä (8) ja irrota vesitulppa, vesi valuu automaattisesti vesisäiliöön. Pidä viemäriverho ja vesipistoke kunnolla. Viemärin aikana runkoa voidaan kallistaa hieman taaksepäin. Jos vesisäiliö ei pysty pitämään kaikkea vettä, täytä vesisäiliö ennen vesisäiliön täyttymistä niin pian kuin mahdollista, jotta vesi ei virtaa lattialle tai matolle. Kun vesi on tyhjentynyt, täytä vesipistoke ja kiristä tyhjennyskansi.

2. Jatkuva vedenpoisto - vaihtoehto käytettäväksi VAIN ilmankuivatustilaan - esitetty kuvassa F2.

Kierrä tyhjennyskansi irti ja irrota vesipistoke. Aseta tyhjennysputki (ei sisälly pakkaukseen) veden poistoaukkoon.

Kytke tyhjennysputki kauhaan.

## PUHDISTUS JA HUOLTO

Puhdistus: Sammuta kone ennen puhdistamista ja huoltoa ja irrota pistoke pistorasiasta.

### a) Kotelon puhdistus

Puhdista laitteen pinta märällä pehmeällä liinalla. Älä käytä kemikaaleja, kuten bentseeniä, alkoholia, bensiiniä, muuten laitteen pinta vaurioituu tai koko kone vaurioituu.

### b) EVA-suodattimen puhdistus

Jos suodattimen näyttö on tukkeutunut pölyltä ja laitteen teho on heikentynyt, puhdista suodattimen näyttö joka toinen viikko.

- Puhdista suodattimen yläruutu - kuva G.

- Löysää yksi takakannen ruuvi ja poista EVA-suodattimen verkko (5).

- Laita suodatin lämpimään veteen, jossa on neutraalia pesuainetta (noin 40 °C / 104 °F), ja kuivaa suodattimen jälkeen varjossa.

## VARASTOINTI

1. Kierrä tyhjennyskansi irti, irrota vesipistoke ja tyhjennä vesisäiliössä oleva vesi muihin vesisäiliöihin tai kallista koteloa suoraan, jotta vesi pääsee muihin säiliöihin.
2. Kytke laite päälle, säädä se hitaaseen puhallintoimintoon ja ylläpitä tätä tilaa, kunnes tyhjennysputki (ei sisällä pakkaukseen) tulee kuivaksi, jotta kotelon sisäosa pysyisi kuivassa tilassa ja estäisi sen muodostumista. .
3. Sammuta laite, poista pistoke pistorasiasta, asenna pistoke ja tyhjennyskansi.
4. Irrota ilmanpoistoputken elementit.
5. Peitä ilmastointi muovipussilla. Aseta ilmastointi kuivaan paikkaan, pidä se lasten ulottumattomissa ja tee pölyn torjuntaa.
6. Poista kaukosäätimen paristot ja pidä ne kunnolla.

## ONGELMIEN KARTTOITTAMINEN

Älä korjaa laitetta itse. Pätevä korjaus mitätöi takuun.

Ongelma I: Ilmastointilaite ei toimi.

Syy 1: Ei ole sähköä. Joten, kytke se päälle, kun olet kytkenyt sen sähköpistorasiaan.

Syy 2: Ylivuotoilmaisain näyttää "FL". Joten, tyhjennä vesi.

Syy 3: Ympäristön lämpötila on liian matala tai liian korkea. Joten suosittele laitteen käyttämistä lämpötilassa 7–35 °C (44–95 °F).

Syy 4: Jäähdytystilassa huoneen lämpötila on alhaisempi kuin asetettu lämpötila. Joten vaihda asetettua lämpötilaa.

Syy 5: Kuivassa tilassa ympäristön lämpötila on liian matala. Joten laite tulisi sijoittaa huoneeseen, jonka ympäristön lämpötila on yli 17 °C (62 °F).

Ongelma II: Jäähdytysvaikutus ei ole hyvä.

Syy 1: Auringonvalo on suora. Joten vedä verho.

Syy 2: Ovet tai ikkunat ovat auki; ihmisiä on paljon; tai jäähdytystilassa on muita lämmönlähteitä. Sulje ovet ja ikkunat ja lisää uusi ilmastointilaite.

Syy 3: EVA-suodatin on likainen. Joten, puhdista se.

Syy 4: Ilman tulo- tai poistoaukko on tukossa. Joten, poista esteet.

Tehtävä III: Suuri melu

Syy: Laitetta ei ole asetettu tasaiselle alustalle. Joten aseta laite tasaiselle ja kovalle paikalle melun vähentämiseksi.

Ongelma IV: Kompessori ei toimi.

Syy: Ylikuumenemissuoja alkaa. Joten odota 3 minuuttia, kunnes lämpötila laskee, ja käynnistä kone sitten uudelleen.

Ongelma V: Kaukosäädin ei toimi.

Syy 1: Etäisyys koneen ja kaukosäätimen välillä on liian pitkä. Joten anna kaukosäätimen päästä lähelle laitetta ja varmista, että kaukosäädin osoittaa suoraan signaalin vastaanottimeen (I) ohjauspaneelissa.

Syy 2: Kaukosäädin ei ole kohdistettu kaukosäätimen vastaanottimen suuntaan. Joten tee kuten yllä.

Syy 3: Paristot ovat tyhjäät. Joten vaihda paristot.

Tehtävä VI: Näyttää 'E1'.

Syy: Putken lämpötila-anturi on epänormaali. Ota siis yhteyttä valtuutettuun huolto-organisaatioon.

Tehtävä VII: Näyttää 'E2'

Syy: Huoneenlämpötila-anturi on epänormaali. Ota siis yhteyttä valtuutettuun huolto-organisaatioon.

Huomaa: Jos ilmenee ongelmia, joita ei ole lueteltu taulukossa tai suositellut ratkaisut eivät toimi, ota yhteyttä valtuutettuun huolto-organisaatioon.

#### TEKNISET TIEDOT:

Jäähdytysteho nopeudella BTU: 7000 BTU / tunti

Jäähdytysteho watteina: 2060W

Energiankulutus (jäähdytys) W: 792 W

Melutaso: <= 65 dB

Ilmavirta: 300 m3 / h

Energialuokka: A

Ajastin: 24 tuntia

Jäähdytysnesteen R290 paino: enintään 130 grammaa



Varo, tulipalon vaara.

ÄLÄ lävistä tai polta.

Huomaa, että kylmäaine ei saa sisältää hajua.



Suojellaksesi ympäristöäsi: hävitä pahvilaatikot ja muovipussit ja kierrätä ne niille tarkoitetuissa jätteenkeräilyssä. Käytetyt koneet tulee toimittaa niihin erioituneisiin keräyspisteisiin ympäristölle vaarallisten aineiden takia. Älä hävitä laitteita sekajätteessä.

### РУССКИЙ

## ОБЩИЕ УСЛОВИЯ БЕЗОПАСНОСТИ

### ВАЖНЫЕ ИНСТРУКЦИИ ПО БЕЗОПАСНОСТИ ВНИМАТЕЛЬНО ПРОЧТИТЕ И СОХРАНИТЕ НА БУДУЩЕЕ

1. Перед использованием устройства прочитайте инструкцию по эксплуатации и следуйте инструкциям, содержащимся в нем. Производитель не несет ответственности за ущерб, вызванный использованием устройства вопреки его назначению или неправильной эксплуатации.
2. Устройство предназначено только для домашнего использования. Не используйте для других целей, которые не по назначению.
3. Устройство должно быть подключено только к розетке переменного тока с заземлением 220 240 В ~ 50 Гц. Для повышения эксплуатационной безопасности, несколько электрических устройств не должны быть подключены к одной цепи тока одновременно.
4. Будьте предельно осторожны при использовании устройства, когда рядом находятся дети. Не позволяйте детям играть с устройством, не позволяйте детям или людям, незнакомым с устройством, использовать его.
5. ПРЕДУПРЕЖДЕНИЕ. Данное оборудование могут использовать дети старше 8 лет и люди с ограниченными физическими, сенсорными или умственными способностями или люди, которые не имеют опыта или знаний об оборудовании, если это делается под наблюдением ответственного лица. для их безопасности или были предоставлены им информацию о безопасном использовании устройства и знают об опасностях его использования. Дети не должны играть с оборудованием. Чистка и техническое обслуживание устройства не должны выполняться детьми, за исключением случаев, когда им исполнилось 8 лет, и эти действия выполняются под наблюдением.

6. Всегда отсоединяйте штепсельную вилку, придерживая розетку рукой после использования. НЕ тяните за шнур питания.
7. Не погружайте кабель, вилку и все устройство в воду или любую другую жидкость. Не подвергайте устройство воздействию атмосферных условий (дождь, солнце и т. Д.) И не используйте его в условиях повышенной влажности (ванные комнаты, влажные дома на колесах).
8. Периодически проверяйте состояние шнура питания. Если шнур питания поврежден, его следует заменить в специализированной ремонтной мастерской, чтобы избежать опасности.
9. Не используйте прибор с поврежденным шнуром питания, если он упал или поврежден каким-либо иным образом или он не работает должным образом. Не ремонтируйте устройство самостоятельно, так как существует риск поражения электрическим током. Доставьте поврежденное устройство в соответствующий сервисный центр для проверки или ремонта. Все ремонтные работы могут выполняться только авторизованными сервисными центрами. Неправильно выполненный ремонт может представлять серьезную опасность для пользователя.
10. Поместите устройство на прохладную, устойчивую поверхность, вдали от горячих кухонных приборов, таких как: электрическая плита, газовая горелка и т. Д.
11. Убедитесь, что ничто не блокирует вход и выход воздуха устройства
12. Используйте устройство только на ровной поверхности, чтобы предотвратить выпадение конденсата.
13. Для обеспечения дополнительной защиты рекомендуется установить устройство защитного отключения (УЗО) в электрической цепи с номинальным током не более 30 мА. Спросите электрика для этого.
14. Регулярно очищайте воздушный фильтр. Частота очистки зависит от чистоты воздуха.
15. После выключения машины подождите не менее 5 минут, прежде чем снова включить его.
16. Не используйте устройство в солнечных местах. Когда устройство перегревается, защита от перегрева включает устройство.
17. Чтобы обеспечить эффективное охлаждение, расстояние между боковыми стенками устройства и стеной, мебелью или шторами должно быть не менее 50 см.
18. Из-за ограниченной производительности устройства, если разница между целевой температурой и температурой окружающей среды слишком велика, заданная температура может быть не достигнута.
19. Чтобы снизить риск возгорания, поражения электрическим током или травмы при использовании кондиционера, соблюдайте следующие основные меры предосторожности:
  - а) Подключите к заземленной розетке с 3 контактами.
  - б) Не удаляйте заземляющий контакт.
  - в) Не используйте адаптер.

г) Не используйте удлинитель.

е) Отключите кондиционер перед обслуживанием.

ф) Для перемещения и установки кондиционера используйте двух или более человек.

20. Не используйте средства, ускоряющие процесс размораживания или очистки, кроме тех, которые рекомендованы производителем.

21. Устройство следует хранить в помещении без постоянно работающих источников возгорания, например: открытого огня, газовых приборов или электрических обогревателей.

Описание устройства - Изображение А

- |   |  |
|---|--|
| 1. Панель управления                            | 2. Выход холодного воздуха             |
| 3. Пульт дистанционного управления (рисунок Е)  | 4. Ручка для транспортировки           |
| 5. Впускное отверстие испарителя с фильтром EVA | 6. Выпускная труба                     |
| 7. Верхнее сливное отверстие охладителя         | 8. Нижнее сливное отверстие охладителя |
| 9. Окно выхлопного адаптера                     | 10. Соединитель воздуховыпускной трубы |

Описание панели управления - рисунок D.

- |   |   |
|---|---|
| А. Кнопка питания   | В. Кнопка режима                          |
| С. Кнопка таймера / понижения температуры                         | Д. Кнопка таймера / понижения температуры |
| Е. Кнопки спящей модели (D & F нажаты вместе в режиме охлаждения) | Ф. Кнопка скорости вентилятора            |
| Г. Кнопка таймера   | Н. Светодиодный экран                     |
| І. Приемник сигнала для пульта дистанционного управления          | Л. Индикатор режима охлаждения            |
| К. Контрольная лампа режима осушки                                | М. Контрольная лампа режима вентилятора   |
| М. Контрольная лампа полной воды                                  | Н. Контрольная лампа режима сна           |
| О. Включение / выключение контрольной лампы                       | Р. Контрольная лампа времени              |
| Q. лампа контроля температуры                                     |   |

Пульт дистанционного управления - Изображение Е

- |   |   |
|---|---|
| А. Кнопка питания                         | В. Кнопка режима                          |
| С. Кнопка таймера / понижения температуры | Д. Кнопка таймера / понижения температуры |
| Е. Спящая модель                          | Ф. Кнопка скорости вентилятора            |
| Г. кнопка таймера                         |   |

Работа панели управления - рисунок D

Нажмите кнопку «А» для включения и выключения машины, зуммер подаст сигнал один раз. Контрольная лампа «О» включит контрольную панель.

Нажмите кнопку «В» для переключения режима между режимом охлаждения → режим вентилятора → режим осушения.

Нажмите кнопку «D / C» вверх / вниз, чтобы изменить температуру или время установки, действуйте следующим образом:

- При настройке температуры нажимайте кнопку «вверх» или «вниз», чтобы выбрать необходимую температуру (недоступно в режиме вентилятора или осушения).

- При настройке времени нажимайте кнопку «вверх» или «вниз», чтобы выбрать нужное время.

Нажмите кнопку «F», чтобы выбрать скорость вентилятора:

- В режиме охлаждения и вентилятора нажмите кнопку «F», чтобы выбрать режим высокой или низкой скорости ветра. В слишком холодных условиях он может не работать в соответствии с установленной скоростью ветра.

- В режиме осушения нажатие кнопки «F» недействительно, и вентилятор принудительно выберет режим работы на низкой скорости ветра.

Нажмите кнопку «E», чтобы выбрать спящий режим:

- В режиме охлаждения нажмите обе кнопки «F» и «D», чтобы включить спящий режим, после чего устройство будет работать на энергоберегающем и тихом типе. На контрольной панели загорится контрольная лампа «N».

Нажмите кнопку «G», чтобы выбрать период работы, когда ЖК-дисплей мигает, нажмите кнопку «D» вверх или кнопку «C», чтобы выбрать необходимый диапазон времени. Диапазон установки времени 1-24 часа и может быть увеличен или уменьшен на один час. Мигание скоро закончится, и светодиодный экран вернется, чтобы показать ожидаемую температуру окружающей среды.

Функция задержки запуска:

- Задержка включения питания:

Выключите устройство и затем нажмите кнопку «G», затем нажмите кнопку «D» вверх или кнопку «C» вниз, чтобы выбрать нужное значение времени. Максимальное время задержки включения питания составляет 24 часа. Устройство будет включено по истечении времени задержки.

- Задержка выключения питания:

Включите устройство и затем нажмите кнопку «G», затем нажмите кнопку «D» вверх или вниз, чтобы выбрать требуемое время. Максимальное время задержки отключения питания составляет 24 часа. Устройство будет выключено по истечении времени задержки.

**ДИСТАНЦИОННОЕ УПРАВЛЕНИЕ** - изображение E

Пульт дистанционного управления передает сигналы в систему.

Кнопка «A» - прибор будет запущен, когда он находится под напряжением, или будет остановлен, когда он работает, если вы нажмете эту кнопку.

Кнопка «B» - нажмите для выбора режима работы: режим охлаждения → режим сушки → режим вентилятора.

Кнопка «C» / «D» - нажмите для регулировки температуры в помещении и таймера.

Кнопка «E» - нажмите для установки или отмены спящего режима.

Кнопка «F» - нажмите эту кнопку, чтобы последовательно выбрать скорость вентилятора: низкая / высокая скорость ветра.

Кнопка «G» - нажмите для установки времени работы от 1 до 24 часов.

**УСТРОЙСТВА ЗАЩИТЫ**

1. Функция защиты от замерзания:

В режиме охлаждения, осушения или экономичного энергосбережения, если температура выхлопной трубы слишком низкая, машина автоматически перейдет в состояние защиты; если температура выхлопной трубы поднимается до определенной температуры, она может автоматически вернуться к нормальной работе.

2. Функция защиты от переполнения «M»:

Когда уровень воды в поддоне превышает уровень предупреждения, машина автоматически подает звуковой сигнал, и мигает индикатор «FULL» «M». В это время слейте воду в соответствии с инструкциями по дренажу. После слива воды машина автоматически вернется в исходное состояние.

3. Защитная функция компрессора

Чтобы увеличить срок службы компрессора, он имеет функцию защиты загрузки с 3-минутной задержкой после выключения компрессора.

**ДРЕНАЖНЫЕ ИНСТРУКЦИИ:**

Эта машина имеет два метода дренажа: ручной дренаж и непрерывный дренаж.

1. Ручной дренаж - рисунок F1.

Когда устройство останавливается после того, как вода заполнена, вы видите на контрольной панели контрольную лампу «M». Выключите питание устройства и выньте вилку из розетки. Перемещайте машину осторожно, чтобы не пролить воду в поддон для воды на дне корпуса. Поместите емкость для воды ниже выпускного отверстия для воды за корпусом. Откройте сливное отверстие охладителя (8) и отсоедините пробку для воды, вода автоматически попадет в емкость для воды. Держите крышку дренажа и пробку для воды должным образом. Во время дренажа тело можно слегка наклонить назад. Если емкость для воды не может вместить всю воду, перед тем, как емкость для воды заполнится, как можно скорее заполните отверстие для воды пробкой для воды, чтобы вода не стекала на пол или ковер. Когда вода будет слита, закройте пробку для воды и закройте сливную крышку.

2. Непрерывный дренаж - опция применима ТОЛЬКО к режиму осушения - показана на рисунке F2.

Откройте крышку сливного отверстия и отсоедините пробку для воды. Установите дренажную трубу (не входит в комплект) в выпускное отверстие для воды. Подсоедините дренажную трубу к ведру.

**ОЧИСТКА И ОБСЛУЖИВАНИЕ**

Очистка: перед чисткой и техническим обслуживанием выключите машину и выньте вилку из розетки.

а) Чистка жилья

Протрите поверхность прибора влажной мягкой тканью. Не используйте химические вещества, такие как бензол, спирт, бензин, в противном случае поверхность устройства будет повреждена или даже вся машина будет повреждена.

б) очистка фильтра EVA

Если экран фильтра забит пылью и эффективность устройства снижена, обязательно очищайте экран фильтра раз в две недели.

- Очистите верхнюю раму фильтра - рисунок G.

- Ослабьте один винт на задней крышке и снимите сетку фильтра EVA (5).

- Поместите фильтр в теплую воду с нейтральным моющим средством (около 40 104/104 °F) и высушите его в тени после промывки.

**МЕСТО ХРАНЕНИЯ**

1. Откройте крышку сливного отверстия, отсоедините пробку для воды и слейте воду в поддон для воды в другие емкости для воды или наклоните корпус, чтобы слить воду в другие емкости.

2. Включите устройство, настройте его на режим низкоскоростного вентилятора и поддерживайте это состояние до тех пор, пока

дренажная труба (не входит в комплект) станет сухой, чтобы внутренняя часть корпуса находилась в сухом состоянии и не допускала плесени. ,

3. Выключите устройство, выньте вилку из розетки, установите пробку и крышку сливного отверстия.

4. Снимите элементы выхлопной трубы.

5. Накройте кондиционер полиэтиленовым пакетом. Разместите кондиционер в сухом месте, держите его в недоступном для детей месте и примите меры по защите от пыли.

6. Извлеките батарейки из пульта дистанционного управления и храните их надлежащим образом.

## ПОИСК НЕИСПРАВНОСТЕЙ

Не ремонтируйте устройство самостоятельно. Квалифицированный ремонт приведет к аннулированию гарантии.

Проблема I.: Кондиционер не работает.

Причина 1: нет электричества. Итак, включите его после подключения к электрической розетке.

Причина 2: индикатор переполнения отображает «FL». Итак, слейте воду.

Причина 3: температура окружающей среды слишком низкая или слишком высокая. Итак, рекомендуем использовать прибор при температуре 7-35 °C (44-95 °F).

Причина 4: в режиме охлаждения комнатная температура ниже заданной температуры. Итак, измените заданную температуру.

Причина 5: в сухом режиме температура окружающей среды слишком низкая. Таким образом, устройство следует размещать в помещении с температурой окружающей среды более 17 °C (62 °F).

Проблема II.: Охлаждающий эффект не хороший.

Причина 1: есть прямая солнечный свет Итак, потяните занавес.

Причина 2: двери или окна открыты; Здесь много людей; или в режиме охлаждения есть другие источники тепла. Итак, закройте двери и окна и добавьте новый кондиционер.

Причина 3: фильтр EVA загрязнен. Итак, почисти это.

Причина 4: впуск или выпуск воздуха заблокирован. Итак, четкие препятствия.

Проблема III.: Большой шум

Причина: устройство не размещено на плоской поверхности. Итак, положите устройство на ровное и жесткое место, чтобы уменьшить шум.

Проблема IV.: Компрессор не работает.

Причина: защита от перегрева начинается. Итак, подождите 3 минуты, пока температура не понизится, а затем перезапустите машину.

Проблема V.: Пульт дистанционного управления не работает.

Причина 1: расстояние между машиной и пультом дистанционного управления слишком велико. Итак, позвольте пульту дистанционного управления приблизиться к устройству и убедитесь, что пульт дистанционного управления направлен прямо к приемнику сигнала (I) на панели управления.

Причина 2: пульт дистанционного управления не выровнен с направлением приемника пульта дистанционного управления. Итак, делайте как выше.

Причина 3: батареи разряжены. Итак, замените батареи.

Проблема VI.: Отображается «E1».

Причина: датчик температуры трубы неисправен. Поэтому, пожалуйста, свяжитесь с авторизованной сервисной организацией.

Проблема VII.: Отображает «E2»

Причина: датчик комнатной температуры неисправен. Поэтому, пожалуйста, свяжитесь с авторизованной сервисной организацией.

Примечание. Если возникают проблемы, не указанные в таблице, или рекомендуемые решения не работают, обратитесь в авторизованную сервисную организацию.

## ТЕХНИЧЕСКИЕ ДАННЫЕ:

Холодопроизводительность в БТЕ: 7000 БТЕ / час

Холодопроизводительность в ваттах: 2060 Вт

Энергопотребление (охлаждение) Вт: 792 Вт

Уровень шума: <= 65 дБ

Расход воздуха: 300 м<sup>3</sup> / час

Энергетический класс: A

Таймер: 24 часа

Вес охлаждающей жидкости R290: максимум 130 грамм



Осторожно, опасность пожара.

НЕ прокалывать и не сжигать.

Помните, что хладагент не может содержать запах.



Забываясь об окружающей среде.. Упаковку из картона передайте, пожалуйста, на макулатуру. Полиэтиленовые мешки (PE) выкидать в резервуар для пластмассы. Изношенное устройство надо передать в соответствующую точку хранения, так как находящиеся в устройстве опасные составляющие могут являться угрозой для окружающей среды. Электрическое устройство надо передать таким образом, чтобы ограничить его повторное употребление и использование. Если в устройстве находятся батареи, их надо вынуть и передать в точку хранения отдельно. Устройство не выкидать в резервуар для коммунальных отходов!



**CONDIZIONI GENERALI DI SICUREZZA****IMPORTANTI ISTRUZIONI DI SICUREZZA LEGGERE ATTENTAMENTE E SALVARE PER IL FUTURO**

1. Prima di utilizzare il dispositivo, leggere il manuale operativo e seguire le istruzioni in esso contenute. Il produttore non è responsabile per danni causati dall'uso del dispositivo contrario allo scopo previsto o al funzionamento improprio.
2. Il dispositivo è solo per uso domestico. Non utilizzare per altri scopi diversi da quelli previsti.
3. Il dispositivo deve essere collegato solo a una presa CA con una messa a terra da 220 240 V ~ 50 Hz. Per aumentare la sicurezza operativa, più dispositivi elettrici non devono essere collegati contemporaneamente a un circuito di corrente.
4. Usare estrema cautela quando si usa il dispositivo quando i bambini sono nelle vicinanze. Non consentire ai bambini di giocare con il dispositivo, non consentire ai bambini o alle persone che non hanno familiarità con il dispositivo di usarlo.
5. **AVVERTENZA:** questa apparecchiatura può essere utilizzata da bambini di età superiore a 8 anni e persone con capacità fisiche, sensoriali o mentali limitate o persone che non hanno esperienza o conoscenza dell'attrezzatura, se ciò viene fatto sotto la supervisione di una persona responsabile per la loro sicurezza o hanno ricevuto loro informazioni sull'uso sicuro del dispositivo e sono consapevoli dei pericoli connessi all'uso. I bambini non devono giocare con l'attrezzatura. La pulizia e la manutenzione del dispositivo non devono essere eseguite da bambini, a meno che non abbiano più di 8 anni e queste attività siano svolte sotto controllo.
6. Scollegare sempre la spina di alimentazione tenendo la presa con la mano dopo l'uso. **NON** tirare il cavo di alimentazione.
7. Non immergere il cavo, la spina e l'intero dispositivo in acqua o altri liquidi. Non esporre il dispositivo a condizioni atmosferiche (pioggia, sole, ecc.) O utilizzare in condizioni di elevata umidità (bagni, case mobili umide).
8. Controllare periodicamente le condizioni del cavo di alimentazione. Se il cavo di alimentazione è danneggiato, deve essere sostituito da un'officina specializzata per evitare pericoli.
9. Non utilizzare l'apparecchio con un cavo di alimentazione danneggiato o se è stato fatto cadere o danneggiato in altro modo o se non funziona correttamente. Non riparare il dispositivo da soli, poiché esiste il rischio di scosse elettriche. Portare il dispositivo danneggiato in un centro di assistenza adeguato per il controllo o la riparazione. Tutte le riparazioni possono essere eseguite solo da punti di assistenza autorizzati. Le riparazioni eseguite in modo errato possono causare gravi pericoli per l'utente.
10. Collocare il dispositivo su una superficie fresca e stabile, lontano da elettrodomestici da cucina caldi come: fornelli elettrici, bruciatori a gas, ecc.
11. Assicurarsi che nulla blocchi l'entrata e l'uscita dell'aria del dispositivo
12. Utilizzare il dispositivo solo su una superficie piana per evitare la fuoriuscita della condensa

13. Per fornire una protezione aggiuntiva, si consiglia di installare un dispositivo a corrente residua (RCD) nel circuito elettrico con una corrente residua nominale non superiore a 30 mA. Chiedi a un elettricista per questo.
14. Pulire regolarmente il filtro dell'aria. La frequenza della pulizia dipende dalla pulizia dell'aria.
15. Dopo aver spento la macchina, attendere almeno 5 minuti prima di riaccenderla.
16. Non utilizzare il dispositivo in luoghi soleggiati. Quando il dispositivo si surriscalda, la protezione da surriscaldamento attiva il dispositivo.
17. Per garantire un raffreddamento efficace, è necessario mantenere una distanza di almeno 50 cm tra le pareti laterali del dispositivo e la parete, i mobili o le tende.
18. A causa delle prestazioni limitate del dispositivo, se la differenza tra la temperatura target e la temperatura ambiente è troppo elevata, la temperatura target potrebbe non essere raggiunta.
19. Per ridurre il rischio di incendi, scosse elettriche o lesioni durante l'uso del condizionatore d'aria, osservare le seguenti precauzioni di base:
  - a) Collegare a una presa con messa a terra con 3 pin.
  - b) Non rimuovere il polo di messa a terra.
  - c) Non utilizzare l'adattatore.
  - d) Non utilizzare una prolunga.
  - e) Scollegare il condizionatore d'aria prima della manutenzione.
  - f) Utilizzare due o più persone per spostare e installare il condizionatore d'aria.
20. Non utilizzare agenti che accelerano il processo di scongelamento o pulizia diversi da quelli raccomandati dal produttore.
21. Il dispositivo deve essere conservato in una stanza senza fonti di accensione costantemente funzionanti, ad esempio fuoco aperto, apparecchi a gas o stufe elettriche.

Descrizione del dispositivo - Figura A

- |  |   |
|--|---|
| 1. Pannello di controllo                     | 2. Uscita aria fredda                             |
| 3. Telecomando (figura E)                    | 4. Maniglia di trasporto                          |
| 5. Ingresso evaporatore con filtro EVA       | 6. Tubo di scarico dell'aria                      |
| 7. Foro di drenaggio del radiatore superiore | 8. Foro di drenaggio del radiatore verso il basso |
| 9. Adattatore di scarico della finestra      | 10. Connettore del tubo di scarico dell'aria      |

Descrizione del pannello di controllo - Figura D.

- |  |   |
|--|---|
| A. Pulsante di accensione  | B. Pulsante modalità                      |
| C. Pulsante timer / temperatura su   | D. Pulsante timer / temperatura giù       |
| E. Pulsanti modello sleep (D & F premuti insieme in modalità raffreddamento) | F. Pulsante velocità ventilatore          |
| G. Pulsante timer  | H. Schermo LED                            |
| I. Ricevitore di segnale per telecomando                                     | J. Spia di controllo modalità fredda      |
| K. Spia controllo modalità a secco   | L. Spia controllo modalità ventilatore    |
| M. Lampada controllo acqua completa  | N. Lampada controllo modalità sospensione |
| O. La spia di controllo accensione / spegnimento                             | P. Spia controllo tempo                   |
| Q. spia di controllo della temperatura                                       |   |

Telecomando - Immagine E

- |                           |                      |
|---------------------------|----------------------|
| A. Pulsante di accensione | B. Pulsante modalità |
|---------------------------|----------------------|

C. Pulsante timer / temperatura su  
E. Modello sonno  
G. Pulsante timer

D. Pulsante timer / temperatura su  
F. Pulsante velocità ventilatore

#### Funzionamento del PANNELLO DI CONTROLLO - figura D

Premere il pulsante "A" per accendere e spegnere la macchina, il buzzer riprodurrà il segnale una volta. La spia di controllo "O" si accenderà sul pannello di controllo.

Premere il pulsante "B" per cambiare modalità, tra modalità raffreddamento → modalità ventola → modalità deumidificazione.

Premere il pulsante "D / C" Su / Giù per modificare la temperatura o il tempo di impostazione, operare come segue:

- Durante l'impostazione della temperatura, premere il pulsante su o giù per selezionare la temperatura richiesta (non disponibile in modalità ventilatore o deumidificazione).

- Durante l'impostazione dell'ora, premere il pulsante su o giù per selezionare l'ora desiderata.

Premere il pulsante "F" per selezionare la velocità della ventola:

- In modalità raffreddamento e ventola, premere il pulsante "F" per selezionare il funzionamento con velocità del vento alta o bassa. In condizioni troppo fredde, potrebbe non funzionare in base alla velocità del vento impostata.

- In modalità deumidificazione, la pressione del pulsante "F" non è valida e il ventilatore sceglierà forzatamente il funzionamento a bassa velocità del vento.

Premere il pulsante "E" per selezionare la modalità di sospensione:

- Nella modalità di raffreddamento, premere entrambi i pulsanti "F" e "D" per attivare la modalità di sospensione, quindi l'unità funzionerà con il tipo di risparmio energetico e silenzioso. La spia di controllo del modello di sonno "N" accenderà il pannello di controllo.

Premere il pulsante "G" per selezionare il periodo di funzionamento, quando lo schermo LCD lampeggia, premere il pulsante su "D" o il pulsante giù "C" per selezionare l'intervallo di tempo richiesto. L'intervallo di impostazione dell'ora è compreso tra 1 e 24 ore e può essere regolato su o giù di un'ora. Il lampeggiamento terminerà presto e lo schermo a LED tornerà a mostrare la temperatura ambiente prevista.

Funzione di avvio ritardato:

- Impostazione ritardo accensione:

Spegnere il dispositivo e quindi premere il pulsante "G", quindi premere il pulsante su "D" o il pulsante giù "C" per selezionare il valore di tempo richiesto. Il tempo massimo di ritardo all'accensione è di 24 ore. Il dispositivo verrà acceso dopo che è trascorso il tempo di ritardo.

- Impostazione ritardo spegnimento:

Accendere il dispositivo e quindi premere il pulsante "G", quindi premere il pulsante su "D" o il pulsante giù "C" per selezionare il valore di tempo richiesto. Il tempo massimo di ritardo allo spegnimento è di 24 ore. Il dispositivo verrà spento dopo che è trascorso il tempo di ritardo.

#### Funzionamento del TELECOMANDO - figura E

Il telecomando trasmette segnali al sistema.

Pulsante "A" - l'apparecchio verrà avviato quando è sotto tensione o verrà arrestato quando è in funzione, se si preme questo pulsante.

Pulsante "B": premerlo per selezionare la modalità operativa: modalità fredda → modalità asciutta → modalità ventola.

Pulsante "C" / "D" - premere per regolare la temperatura ambiente e il timer.

Pulsante "E" - premere per impostare o annullare la modalità di sospensione.

Pulsante "F" - premerlo per selezionare la velocità della ventola in sequenza: bassa / alta velocità del vento.

Pulsante "G" - premere per impostare il tempo di funzionamento da 1 a 24 ore.

## DISPOSITIVI DI PROTEZIONE

### 1. Funzione di protezione antigelo:

In modalità di raffreddamento, deumidificazione o risparmio energetico, se la temperatura del tubo di scarico è troppo bassa, la macchina entrerà automaticamente nello stato di protezione; se la temperatura del tubo di scarico sale a una certa temperatura, può tornare automaticamente al normale funzionamento.

### 2. Funzione di protezione da troppo pieno "M":

Quando l'acqua nella vaschetta dell'acqua supera il livello di avviso, la macchina emetterà automaticamente un allarme e la spia "FULL" "M" lampeggerà. In questo momento, scaricare l'acqua secondo le istruzioni di drenaggio. Dopo aver svuotato l'acqua, la macchina tornerà automaticamente allo stato originale.

### 3. Funzione di protezione del compressore

Per aumentare la durata del compressore, ha una funzione di protezione dell'avvio ritardato di 3 minuti dopo lo spegnimento del compressore.

## ISTRUZIONI DI DRENAGGIO:

Questa macchina ha due metodi di drenaggio: drenaggio manuale e drenaggio continuo.

### 1. Drenaggio manuale - foto F1.

Quando il dispositivo si arresta dopo che l'acqua è piena, sul pannello di controllo viene visualizzata la spia "M" che lampeggia. Spegnerne il dispositivo e scollegare la spina di alimentazione. Spostare la macchina con cura, in modo da non rovesciare l'acqua nella bacinella sul fondo del corpo. Posizionare il contenitore dell'acqua sotto l'uscita dell'acqua dietro l'alloggiamento. Svitare il foro di drenaggio dello scambiatore di calore verso il basso (8) e scollegare il tappo dell'acqua, l'acqua scorrerà automaticamente nel contenitore dell'acqua. Conservare correttamente il coperchio di drenaggio e il tappo dell'acqua. Durante il drenaggio, il corpo può essere inclinato leggermente all'indietro. Se il contenitore dell'acqua non può contenere tutta l'acqua, prima che il contenitore dell'acqua sia pieno, riempire al più presto l'uscita dell'acqua con il tappo dell'acqua per evitare che l'acqua scorra sul pavimento o sul tappeto. Quando l'acqua viene scaricata, riempire il tappo dell'acqua e serrare il coperchio di drenaggio.

### 2. Drenaggio continuo - opzione applicabile SOLO alla modalità di deumidificazione - mostrato nella figura F2.

Svitare il coperchio di drenaggio e scollegare il tappo dell'acqua. Posizionare il tubo di drenaggio (non incluso nel kit) nell'uscita dell'acqua. Collegare il tubo di drenaggio al secchio.

## PULIZIA E MANUTENZIONE

Pulizia: prima della pulizia e della manutenzione, spegnere la macchina e scollegare la spina.

### a) Pulizia dell'alloggiamento

Pulire con la superficie del dispositivo con un panno morbido bagnato. Non usare prodotti chimici come benzene, alcool, benzina, altrimenti la superficie del dispositivo verrà danneggiata o anche l'intera macchina verrà danneggiata.

### b) Pulizia del filtro EVA

Se lo schermo del filtro è ostruito dalla polvere e l'efficacia del dispositivo è ridotta, assicurarsi di pulire lo schermo del filtro una volta ogni due settimane.

- Pulire la cornice dello schermo del filtro superiore - figura G.

- Allentare una vite nel coperchio posteriore e rimuovere la rete del filtro EVA (5).

- Mettere il filtro in acqua calda con detergente neutro (circa 40 °C / 104 °F) e asciugarlo all'ombra dopo averlo sciacquato.

## CONSERVAZIONE

1. Svitare il coperchio di drenaggio, scollegare il tappo dell'acqua e scaricare l'acqua nella vaschetta dell'acqua in altri contenitori dell'acqua o inclinare direttamente l'alloggiamento per scaricare l'acqua in altri contenitori.

2. Accendere il dispositivo, regolarlo in modalità ventola a bassa velocità e mantenere questo stato fino a quando il tubo di drenaggio (non incluso nel kit) diventa asciutto, in modo da mantenere l'interno dell'alloggiamento in uno stato asciutto e impedirne l'ammuffimento .

3. Spegnerne il dispositivo, rimuovere la spina dalla presa, installare la spina e il coperchio di scarico.

4. Rimuovere gli elementi del tubo di scarico dell'aria.

5. Coprire l'aria condizionata con un sacchetto di plastica. Mettere l'aria condizionata in un luogo asciutto, tenerlo

fuori dalla portata dei bambini e adottare misure di controllo della polvere.

6. Rimuovere le batterie del telecomando e conservarle correttamente.

## RISOLUZIONE DEI PROBLEMI

Non riparare il dispositivo da soli. La riparazione qualificata annullerà la garanzia.

Problema I.: L'aria condizionata non funziona.

Motivo 1: non c'è elettricità. Quindi, accendilo dopo averlo collegato a una presa elettrica.

Motivo 2: l'indicatore di overflow visualizza "FL". Quindi, scarica l'acqua.

Motivo 3: la temperatura ambiente è troppo bassa o troppo alta. Pertanto, si consiglia di utilizzare il dispositivo alla temperatura di 7-35 °C (44-95 °F).

Motivo 4: in modalità raffreddamento, la temperatura ambiente è inferiore alla temperatura impostata. Quindi, modificare la temperatura impostata.

Motivo 5: in modalità a secco, la temperatura ambiente è troppo bassa. Pertanto, il dispositivo deve essere collocato in una stanza con una temperatura ambiente superiore a 17 °C (62 °F).

Problema II.: l'effetto di raffreddamento non è buono.

Motivo 1: c'è luce solare diretta. Quindi, tira la tenda.

Motivo 2: porte o finestre aperte; ci sono molte persone; o in modalità raffreddamento, ci sono altre fonti di calore. Quindi, chiudere porte e finestre e aggiungere un nuovo condizionatore d'aria.

Motivo 3: il filtro EVA è sporco. Quindi, puliscilo.

Motivo 4: l'ingresso o l'uscita dell'aria sono bloccati. Quindi, chiari ostacoli.

Problema III.: grande rumore

Motivo: il dispositivo non è posizionato su una superficie piana. Quindi, posizionare il dispositivo in un luogo piatto e duro per ridurre il rumore.

Problema IV.: il compressore non funziona.

Motivo: inizia la protezione da surriscaldamento. Quindi, attendere 3 minuti fino a quando la temperatura si abbassa, quindi riavviare la macchina.

Problema V.: Il telecomando non funziona.

Motivo 1: la distanza tra la macchina e il telecomando è troppo elevata. Quindi, lascia che il telecomando si avvicini al dispositivo e assicurati che il telecomando sia direttamente rivolto verso il ricevitore del segnale (I) sul pannello di controllo.

Motivo 2: il telecomando non è allineato con la direzione del ricevitore del telecomando. Quindi, fai come sopra.

Motivo 3: le batterie sono scariche. Quindi, sostituire le batterie.

Problema VI.: Visualizza 'E1'.

Motivo: il sensore di temperatura del tubo è anormale. Quindi, si prega di contattare un centro di assistenza autorizzato.

Problema VII.: Visualizza 'E2'

Motivo: il sensore della temperatura ambiente è anomalo. Quindi, si prega di contattare un centro di assistenza autorizzato.

Nota: se si verificano problemi non elencati nella tabella o le soluzioni consigliate non funzionano, contattare un centro di assistenza autorizzato.

## DATI TECNICI:

Capacità di raffreddamento a BTU: 7000 BTU / ora

Potenza frigorifera in watt: 2060 W.

Consumo energetico (raffreddamento) W: 792 W

Rumorosità: <= 65dB

Flusso d'aria: 300 m<sup>3</sup> / h

Classe energetica: A

Timer: 24 ore

Peso liquido refrigerante R290: massimo 130 grammi



Attenzione, rischio di incendio.

NON perforare o bruciare.

Tenere presente che il refrigerante potrebbe non contenere odori.



Prendiamoci cura dell'ambiente naturale. I contenitori in cartone dovrebbero essere portati all'apposito punto di raccolta. I sacchi in polietilene (PE) vanno buttati nel contenitore per la plastica. L'apparecchio fuori uso deve essere rottamato presso un centro di raccolta autorizzato, poiché contiene elementi pericolosi che potrebbero costituire una minaccia per l'ambiente. Il dispositivo elettrico deve essere consegnato in modo da limitare il suo riutilizzo. Se l'apparecchio contiene batterie, è necessario rimuoverle e smaltirle separatamente.

VAŽNE SIGURNOSNE UPUTE PROČITAJTE UPOZORENJE I SPREMITE SE ZA  
BUDUĆNOST

1. Prije upotrebe uređaja, pročitajte korisnički priručnik i slijedite upute sadržane u njemu. Proizvođač ne odgovara za štetu nastalu upotrebom uređaja suprotno njegovoj predviđenoj namjeni ili nepravilnom radu.
2. Uređaj je namijenjen samo kućnoj uporabi. Ne koristite za druge svrhe koje nisu prema njegovoj predviđenoj namjeni.
3. Uređaj treba spojiti samo na izmjeničnu utičnicu s uzemljenim 220 240V ~ 50Hz. Da bi se povećala operativna sigurnost, više električnih uređaja ne smije istovremeno biti povezano na jedan strujni krug.
4. Budite izuzetno oprezni kada koristite uređaj kada su djeca u blizini. Ne dopustite djeci da se igraju s uređajem, ne dopustite djeci ili osobama koje nisu upoznate s uređajem.
5. **UPOZORENJE:** Ovu opremu mogu koristiti djeca starija od 8 godina i osobe ograničene tjelesne, senzorne ili mentalne sposobnosti, ili ljudi koji nemaju iskustva ili znanje o uređaju, ako se to radi pod nadzorom odgovorne osobe radi njihove sigurnosti ili su im odobreni podaci o sigurnoj upotrebi uređaja i svjesni su opasnosti upotrebe uređaja. Djeca se ne bi trebala igrati s opremom. Čišćenje i održavanje uređaja ne smiju obavljati djeca, osim ako imaju više od 8 godina i ove aktivnosti se izvode pod nadzorom.
6. Uvijek isključite utikač držeći utičnicu rukom nakon uporabe. **NE** povlačite kabel za napajanje.
7. Ne uranjajte kabel, utikač i cijeli uređaj u vodu ili bilo koju drugu tekućinu. Ne izlažite uređaj atmosferskim uvjetima (kiša, sunce itd.) I ne koristite u uvjetima visoke vlage (kupaonice, vlažne mobilne kućice).
8. Povremeno provjeravajte stanje kabela za napajanje. Ako je mrežni kabel oštećen, zamijenite ga specijaliziranoj servisnoj službi kako biste izbjegli opasnost.
9. Ne koristite uređaj s oštećenim kablom za napajanje ili ako je ispao ili oštećen na bilo koji drugi način ili ako ne radi ispravno. Ne popravljajte uređaj sami jer postoji opasnost od električnog udara. Oštećeni uređaj odnesite u odgovarajući servisni centar radi provjere ili popravka. Sve popravke smiju obavljati samo ovlašteni servisi. Nepravilno izvedeni popravci mogu ozbiljno opasiti za korisnika.
10. Uređaj postavite na hladnu i stabilnu površinu, daleko od vrućih kuhinjskih uređaja kao što su: električni štednjak, plinski plamenik itd.
11. Pazite da ništa ne blokira dovod i izlaz zraka u uređaju
12. Koristite uređaj samo na ravnoj površini kako ne bi došlo do prolijevanja kondenzata
13. Da biste osigurali dodatnu zaštitu, preporučljivo je u električni krug instalirati zaostalu struju (RCD), nazivna zaostala struja koja ne prelazi 30mA. Pitajte za to električara.
14. Redovito čistite filter za zrak. Učestalost čišćenja ovisi o čistoći zraka.
15. Nakon isključivanja stroja pričekajte najmanje 5 minuta prije nego što ga ponovno uključite.

16. Ne koristite uređaj na sunčanim mjestima. Kad se uređaj pregrijava, uključit će se zaštita od pregrijavanja.
17. Da bi se osiguralo učinkovito hlađenje, treba se držati razmak od najmanje 50 cm između bočnih zidova uređaja i zida, namještaja ili zavjesa.
18. Zbog ograničenih performansi uređaja, ako je razlika između ciljne temperature i temperature okoline prevelika, ciljna temperatura možda neće biti dosegnuta.
19. Da biste smanjili rizik od požara, strujnog udara ili ozljeda kad koristite klima uređaj, pridržavajte se sljedećih osnovnih mjera opreza:
  - a) Spojite na uzemljenu utičnicu s 3 pina.
  - b) Ne uklanjajte uzemljenje.
  - c) Nemojte koristiti adapter.
  - d) Ne koristite produžni kabel.
  - e) Prije servisiranja isključite klima uređaj.
  - f) Koristite dvije ili više osoba za pomicanje i instaliranje klima uređaja.
20. Ne koristite sredstva koja ubrzavaju postupak odmrzavanja ili čišćenja, osim onih koja je preporučio proizvođač.
21. Uređaj treba skladištiti u prostoriji bez stalno aktivnih izvora paljenja, na primjer: otvorene vatre, plinskih uređaja ili električnih grijača.

Opis uređaja - Slika A

- |                                    |                                       |
|------------------------------------|---------------------------------------|
| 1. Upravljačka ploča               | 2. Odvod hladnog zraka                |
| 3. Daljinski upravljač (slika E)   | 4. Transportna ručica                 |
| 5. Ulaz isparivača s EVA filterom  | 6. Izduvna cijev za zrak              |
| 7. Gornji otvor za odvod hladnjaka | 8. Rupa za odvod hladnjaka dolje      |
| 9. Prozorski ispušni sustav        | 10. Priključak ispušne cijevi za zrak |

Opis upravljačke ploče - Slika D.

- |  |  |
|--|--|
| A. Tipka napajanja   | B. Tipka načina rada                           |
| C. Tipka za isključivanje vremena / temperature                        | D. Tipka za uključivanje vremena / temperature |
| E. Tipke stanja mirovanja (D & F pritisnute zajedno u načinu hlađenja) | F. Gumb za brzinu ventilatora                  |
| G. Tipka tajmera   | H. LED zaslon                                  |
| I. Signalni receptor za daljinsko upravljanje                          | J. Kontrolna lampica hladnog načina rada       |
| K. Kontrolna žarulja u suhom načinu rada                               | L. Kontrolna žarulja načina rada ventilatora   |
| M. Kontrolna lampica u punoj vodi                                      | N. Kontrolna svjetiljka načina mirovanja       |
| O. Kontrolna lampica za uključivanje / isključivanje                   | P. Kontrolna lampica vremena                   |
| Q. žarulja za kontrolu temperature                                     |  |

Daljinski upravljač - Slika E

- |   |  |
|---|--|
| A. Tipka napajanja                              | B. Tipka načina rada                           |
| C. Tipka za isključivanje vremena / temperature | D. Tipka za uključivanje vremena / temperature |
| E. Sleep model                                  | F. Gumb za brzinu ventilatora                  |
| G. Gumb za odbrojanje vremena                   |  |

Upravljanje pločom upravljanja - slika D

Pritisnite tipku "A" za uključivanje i isključivanje uređaja, a zvučni signal jednom će reproducirati signal. Upravljačka lampica "O" upalit će se na upravljačkoj ploči.

Pritisnite gumb "B" za prebacivanje između načina hlađenja → način rada ventilatora → način odvlaživanja.

Pritisnite tipku "D / C" gore / dolje za promjenu temperature podešavanja ili vremena podešavanja, postupite na sljedeći način:

- Tijekom podešavanja temperature pritisnite tipku gore ili dolje za odabir željene temperature (nije dostupno u načinu ventilatora ili odvlaživanja).

- Dok postavljate vrijeme, pritisnite tipku za gore ili dolje za odabir željenog vremena.

Pritisnite tipku „F“ za odabir brzine ventilatora:

- U načinu hlađenja i ventilatora, pritisnite tipku "F" za odabir rada s visokom ili niskom brzinom vjetra. U previše hladnim uvjetima možda neće raditi u skladu s postavljenom brzinom vjetra.

- U režimu odvlaživanja zraka pritiskom na tipku "F" nije moguće, a ventilator će silom izabrati rad niske brzine vjetra.

Pritisnite gumb "E" za odabir stanja mirovanja:

- U načinu hlađenja pritisnite obje tipke "F" i "D" kako biste uključili stanje mirovanja, a tada će jedinica raditi na uštedi energije i tihom tipu. Upravljačka lampica modela mirovanja "N" uključit će se na upravljačkoj ploči.

Pritisnite gumb "G" za odabir razdoblja rada, kad LCD zaslon treperi, pritisnite tipku gore "D" ili tipku za dolje "C" za odabir željenog vremenskog raspona. Vremensko podešavanje vremena je 1-24 sata, a može se podesiti gore ili dolje za jedan sat. Treptanje će brzo prestati i LED zaslon će se vratiti kako bi prikazao očekivanu temperaturu okoline.

Funkcija odgode pokretanja:

- postavka odgode za uključivanje:

Isključite uređaj, a zatim pritisnite tipku "G", a zatim pritisnite tipku gore "D" ili tipku za dolje "C" za odabir potrebne vrijednosti vremena. Maksimalna snaga na vremenu kašnjenja je 24 sata. Uređaj će se uključiti nakon isteka vremena odgode.

- podešavanje kašnjenja isključenog napajanja:

Uključite uređaj, a zatim pritisnite tipku "G", a zatim pritisnite tipku gore "D" ili tipku za dolje "C" za odabir potrebne vrijednosti vremena. Maksimalno vrijeme odgode isključenja je 24 sata. Uređaj će se isključiti nakon isteka vremena odgode.

Rad DALJINSKI UPRAVLJAČ - slika E

Daljinski upravljač odašilje signale sustavu.

Gumb "A" - aparat će se pokrenuti kada je pod naponom ili će biti zaustavljen kad radi, ako pritisnete ovu tipku.

Gumb "B" - pritisnite da biste odabrali način rada: hladni način rada → suhi način → ventilator.

Tipka "C" / "D" - pritisnite za podešavanje sobne temperature i odbrojavanja.

Gumb "E" - pritisnite da biste postavili ili otkazali način spavanja.

Gumb "F" - pritisnite ga za odabir brzine ventilatora u slijedu: niska / velika brzina vjetra.

Gumb "G" - pritisnite da biste podesili vrijeme rada od 1 do 24 sata.

UREĐAJI ZA ZAŠTITU

1. Funkcija zaštite od smrzavanja:

U načinu hlađenja, odvlaživanja ili uštede energije, ako je temperatura ispušne cijevi preniska, stroj će automatski ući u zaštitni status; ako temperatura ispušne cijevi poraste na određenu temperaturu, može se automatski vratiti u normalan rad.

2. Funkcija zaštite od preljeva "M":

Kad voda u posudi za vodu premašuje razinu upozorenja, uređaj će automatski oglasiti alarm, a trebat će svijetliti indikator "PUNO" "M". U ovom trenutku isпустite vodu prema uputama za drenažu. Nakon što se voda isprazni, stroj će se automatski vratiti u prvobitno stanje.

3. Funkcija zaštite kompresora

Da biste povećali radni vijek kompresora, on ima funkciju zaštite od 3 minute odgađanja pokretanja nakon isključivanja kompresora.

UPUTE ZA DRŽAVU:

Ovaj stroj ima dvije metode drenaže: ručnu i kontinuiranu drenažu.

1. Ručna odvodnja - slika F1.

Kad se uređaj zaustavi nakon što se voda napuni, na upravljačkoj ploči vidite kako treperi kontrolna lampica "M".



Isključite napajanje uređaja i iskopčajte utikač iz napajanja. Pažljivo pomičite stroj kako ne biste prosuli vodu u posudu s vodom po dnu tijela. Postavite spremnik za vodu ispod izlaza za vodu iza kućišta. Odvijte otvor za odvod dolje hladnjaka (8) i odvojite utikač iz vode, voda će automatski teći u spremnik za vodu. Držite poklopac za odvod i vodni utikač pravilno. Tijekom drenaže tijelo se može naginjati malo unatrag. Ako spremnik za vodu ne može zadržati svu vodu, prije nego što je spremnik za vodu napunjen, što je prije moguće, napunite utičnicu vodom da biste spriječili da voda istječe na pod ili u tepih. Kad se voda isprazni, napunite čep za vodu i zategnite poklopac za odvod.

2. Kontinuirana odvodnjavanje - opcija primjenjiva SAMO u režimu odvlaživanja zraka - prikazana na slici F2. Odvijte poklopac za odvod i iskopčajte utikač iz vode. Postavite odvodnu cijev (nije u kompletu) u otvor za vodu. Spojite odvodnu cijev na kantu.

## ČIŠĆENJE I ODRŽAVANJE

Čišćenje: prije čišćenja i održavanja isključite stroj i iskopčajte utikač.

### a) Čišćenje kućišta

Očistite površinom uređaja vlažnom mekom krpom. Ne koristite kemikalije, poput benzena, alkohola, benzina, u protivnom će se oštetiti površina uređaja ili čak cijeli stroj.

### b) Čišćenje EVA filtera

Ako je zaslon filtra začepljen prašinom, a učinkovitost uređaja je smanjena, budite sigurni da očistite filterski zaslon jednom svaka dva tjedna.

- Očistite gornji okvir zaslona filtra - slika G.

- Otpustite jedan vijak na stražnjem poklopcu i uklonite mrežicu filtera EVA (5).

- Stavite filter u toplu vodu s neutralnim deterdžentom (oko 40 °C / 104 °F) i osušite ga u hladu nakon čistog ispiranja.

## SKLADIŠTENJE

1. Odvijte poklopac za odvod, iskopčajte utikač iz vode i ispuštite vodu iz posude za vodu u druge posude za vodu ili izravno nagnite kućište da biste vodu izbacili u druge posude.

2. Uključite uređaj, podesite ga na način rada ventilatora male brzine i održavajte to stanje sve dok odvodna cijev (nije u kompletu) ne postane suha, kako bi unutrašnjost kućišta bila suha i spriječila plijesan. ,

3. Isključite uređaj, izvadite utikač iz utičnice, umetnite utikač i poklopac za odvod.

4. Uklonite elemente izduvne cijevi za zrak.

5. Pokrijte klima uređaj plastičnom vrećicom. Klimatizaciju stavite na suho mjesto, držite je izvan dohvata djece i poduzmite mjere kontrole prašine.

6. Uklonite baterije daljinskog upravljača i pravilno ih držite.

## RJEŠAVANJE PROBLEMA

Ne popravljajte uređaj sami. Kvalificirani popravak poništava jamstvo.

Problem I .: klima uređaj ne radi.

Razlog 1: Nema struje. Dakle, uključite ga nakon što ga spojite u utičnicu s električnom energijom.

Razlog 2: Indikator preljeva prikazuje "FL". Dakle, ispuštite vodu.

Razlog 3: Temperatura okoline je preniska ili previsoka. Dakle, preporučujemo da uređaj koristite na temperaturi od 7-35 °C (44-95 °F).

Razlog 4: U načinu hlađenja, sobna temperatura je niža od postavljene. Dakle, promijenite postavljenu temperaturu.

Razlog 5: U suhom načinu je temperatura okoline preniska. Dakle, uređaj treba smjestiti u prostoriju sa sobnom temperaturom većom od 17 °C (62 °F).

Problem II .: Učinak hlađenja nije dobar.

Razlog 1: Postoji izravna sunčeva svjetlost. Dakle, povucite zavjesu.

2. razlog: Vrata ili prozori su otvoreni; ima puno ljudi; ili u načinu hlađenja postoje drugi izvori topline. Dakle, zatvorite vrata i prozore, te dodajte novi klima uređaj.

3. razlog: EVA filter je prljav. Dakle, očistite.

Razlog 4: Ulaz ili izlaz zraka je blokiran. Dakle, jasne prepreke.

III problem: veliki šum

Razlog: Uređaj nije postavljen na ravnu površinu. Dakle, stavite uređaj na ravno i tvrdo mjesto kako biste smanjili buku.

Problem IV.: Kompresor ne radi.

Razlog: Počinje zaštita od pregrijavanja. Dakle, pričekajte 3 minute dok se temperatura ne spusti, a zatim ponovno pokrenite stroj.

Problem V.: Daljinski upravljač ne radi.

Razlog 1: Udaljenost stroja i daljinskog upravljača je prevelika. Dakle, pustite daljinski upravljač da se približi uređaju i provjerite je li daljinski upravljač izravno okrenut signalnom receptoru (I) na upravljačkoj ploči.

Razlog 2: Daljinski upravljač nije usklađen s smjerom prijavnika daljinskog upravljača. Dakle, napravite kao gore.

3. razlog: Baterije su iscrpljene. Dakle, zamijenite baterije.

Problem VI.: prikazuje "E1".

Razlog: Senzor temperature cijevi je nenormalan. Stoga se obratite ovlaštenoj servisnoj organizaciji.

Problem VII.: prikazuje "E2"

Razlog: Senzor sobne temperature je nenormalan. Stoga se obratite ovlaštenoj servisnoj organizaciji.

Napomena: Ako se problemi koji nisu navedeni u tablici pojave ili preporučena rješenja ne funkcioniraju, obratite se ovlaštenoj servisnoj organizaciji.

#### TEHNIČKI PODACI:

Kapacitet hlađenja na BTU: 7000 BTU / sat

Kapacitet hlađenja u vatima: 2060W

Potrošnja energije (hlađenje) W: 792 W

Razina buke: <= 65dB

Protok zraka: 300 m<sup>3</sup> / h

Energetski razred: A

Mjerač vremena: 24 sata

Težina R290 rashladne tekućine: maksimalno 130 grama



Oprez, opasnost od požara

NE bušiti i ne paliti.

Imajte na umu da rashladno sredstvo ne sadrži neugodan miris.



Vodimo brigu o prirodnom okolišu. Kartonsku ambalažu molimo prenijeti na otpadni papir. Polietilen (PE) vreće bacati u kontejner za plastiku. Istrošena oprema treba biti premještena na prikladno mjesto za pohranu, jer sadrže u uređaju opasne tvari mogu predstavljati opasnost za okoliš. Električni uređaj mora biti predat u takvom stanju da se smanji mogućnost njegove ponovne upotrebe. Ako vaš uređaj ima baterije, treba njih ukloniti i predati na mjesto za pohranu odvojeno.

## SLOVENŠČINA

### SPLOŠNI VARNOSTNI POGOJI

#### POMEMBNA VARNOSTNA NAVODILA PREVIDNO PREBERITE IN PRIPRAVITE SE ZA PRIHODNOST

1. Pred uporabo naprave preberite navodila za uporabo in sledite navodilom, ki jih vsebuje. Proizvajalec ne odgovarja za škodo, ki jo povzroči uporaba naprave v nasprotju s predvidenim namenom ali nepravilnim delovanjem.
2. Naprava je samo za domačo uporabo. Ne uporabljajte za druge namene, ki niso predvideni.
3. Napravo je treba priključiti na električno vtičnico le z ozemljenim 220 240 V ~ 50Hz. Za povečanje obratovalne varnosti več električnih naprav ne bi smelo biti priključeno na en tokovni tokokrog hkrati.
4. Bodite zelo previdni pri uporabi naprave, ko so otroci v bližini. Ne dovolite otrokom, da se igrajo z napravo, ne dovolite otrokom ali ljudem, ki jih naprava ne pozna, da jo uporabljajo.
5. OPOZORILO: To opremo lahko uporabljajo otroci, starejši od 8 let, in osebe z omejenimi telesnimi, senzoričnimi ali duševnimi sposobnostmi ali osebe, ki nimajo izkušenj ali znanja o opremi, če se to izvaja pod nadzorom odgovorne osebe. zaradi varnosti ali so jim bili

- odobreni podatki o varni uporabi naprave in se zavedajo nevarnosti uporabe. Otroci se ne smejo igrati z opremo. Čiščenja in vzdrževanja naprave ne smejo izvajati otroci, razen če so starejši od 8 let in se te dejavnosti izvajajo pod nadzorom.
6. Vedno odklopite napajalni kabel, tako da po uporabi držite vtičnico z roko. NE vlecite napajalnega kabla.
  7. Kabla, vtiča in celotne naprave ne potopite v vodo ali katero koli drugo tekočino. Naprave ne izpostavljajte atmosferskim razmeram (dež, sonce itd.) In ne uporabljajte v pogojih visoke vlažnosti (kopalnice, vlažne mobilne hišice).
  8. Občasno preverite stanje napajalnega kabla. Če je napajalni kabel poškodovan, ga zamenjajte s specializirano servisno delavnico, da se izognete nevarnosti.
  9. Naprave ne uporabljajte s poškodovanim napajalnim kablom ali če je padel ali poškodovan na kakršen koli drug način ali če ne deluje pravilno. Naprave ne popravljajte sami, saj obstaja nevarnost električnega udara. Poškodovano napravo odnesite v ustrezen servisni center, da preverite ali popravite. Vsa popravila smejo izvajati samo pooblašteni serviserji. Nepravilno opravljena popravila lahko za uporabnika resno ogrozijo.
  10. Napravo postavite na hladno in stabilno površino, stran od vročih kuhinjskih aparatov, kot so: električni štedilnik, plinski gorilnik itd.
  11. Prepričajte se, da nič ne blokira dovoda in izstopa zraka v napravi
  12. Napravo uporabljajte samo na ravni površini, da preprečite razlitje kondenzata
  13. Za dodatno zaščito je priporočljivo v električni tokokrog vgraditi napravo za preostali tok (RCD) z nazivno preostalo vrednostjo, ki ne presega 30 mA. Za to vprašajte električarja.
  14. Zračni filter redno čistite. Pogostost čiščenja je odvisna od čistoče zraka.
  15. Po izklopu stroja počakajte vsaj 5 minut, preden ga ponovno vklopite.
  16. Naprave ne uporabljajte na sončnih mestih. Ko se naprava pregreje, se vklopi zaščita pred pregrevanjem.
  17. Za zagotovitev učinkovitega hlajenja je treba med stranskimi stenami naprave in steno ali pohištvom ali zavesami držati vsaj 50 cm razdalje.
  18. Če je razlika med ciljno temperaturo in temperaturo okolice zaradi omejene zmogljivosti naprave prevelika, ciljne temperature morda ne bo mogoče doseči.
  19. Če želite zmanjšati tveganje požara, električnega udara ali poškodb pri uporabi klimatske naprave, upoštevajte naslednje osnovne previdnostne ukrepe:
    - a) Priključite na ozemljeno vtičnico s tremi zatiči.
    - b) Ne odstranjujte ozemljitvenega droga.
    - c) Ne uporabljajte adapterja.
    - d) Ne uporabljajte podaljševalnega kabla.
    - e) klimatsko napravo pred servisiranjem izključite.
    - f) Za premikanje in namestitvev klimatske naprave uporabite dve ali več oseb.
  20. Ne uporabljajte sredstev, ki pospešujejo postopek odtaljevanja ali čiščenja, razen tistih, ki jih priporoča proizvajalec.
  21. Napravo je treba hraniti v prostoru brez stalno delujočih virov vžiga, na primer: odprtega ognja, plinskih naprav ali električnih grelnikov.

Opis naprave - Slika A

1. Nadzorna plošča
2. Odvod hladnega zraka
3. Daljinski upravljalnik (slika E)
4. Transportni ročaj
5. Dovod uparjalnika z EVA filtrom
6. Izpušna cev za zrak
7. Zgomnja odprtina za odtok hladilnika
8. Dolina za odtok hladilnika navzdol
9. Prikluček za izpušne cevi
10. Prikluček izpušne cevi za zrak

Opis nadzorne plošče - Slika D.

- |   |  |
|---|--|
| A. Gumb za vklop  | B. Tipka načina                                |
| C. Gumb za izklop časa / temperature                                  | D. Tipka za nastavitve časovnika / temperature |
| E. Gumbi spalnega modela (D & F pritisnjeni skupaj v načinu hlajenja) | F. Gumb za hitrost ventilatorja                |
| G. Gumb Timer   | H. LED zaslon                                  |
| I. Signalni receptor za daljinski upravljalnik                        | J. Kontrolna svetilka hladilnega načina        |
| K. Krmilna svetilka v suhem načinu                                    | L. Nadzorna svetilka načina ventilatorja       |
| M. Kontrolna svetilka za polno vodo                                   | N. Kontrolna svetilka načina mirovanja         |
| O. Krmilna lučka za vklop / izklop                                    | P. Časovna lučka                               |
| V. Žarnica za nadzor temperature                                      |  |

Daljinski upravljalnik - Slika E

- |                                      |  |
|--------------------------------------|--|
| A. Gumb za vklop                     | B. Tipka načina                                |
| C. Gumb za izklop časa / temperature | D. Tipka za nastavitve časovnika / temperature |
| E. Model mirovanja                   | F. Gumb za hitrost ventilatorja                |
| G. Gumb timerja                      |  |

Delovanje krmilne plošče - slika D

Pritisnite tipko „A“, da vklopite in izklopite stroj. Zvonik enkrat predvaja signal. Kontrolna svetilka "O" se vklopi na nadzorni plošči.

Pritisnite gumb „B“ za preklon med načinom hlajenja → načinom ventilatorja → načinom razvlaževanja.

Pritisnite gumb "D / C" gor / dol, če želite spremeniti nastavitveno temperaturo ali čas nastavitve, delujte na naslednji način:

- Med nastavitvijo temperature s tipko gor ali dol izberite želeno temperaturo (ni na voljo v načinu ventilatorja ali razvlaževanja).
- Med nastavitvijo časa pritisnite gumb gor ali dol, da izberete želeni čas.

Pritisnite tipko „F“ za izbiro hitrosti ventilatorja:

- V načinu hlajenja in ventilatorja pritisnite gumb "F", da izberete delovanje visoke ali nizke hitrosti vetra. V preveč mrzlih razmerah morda ne bo delovala v skladu z nastavljenimi hitrostjo vetra.
- V načinu razvlaževanja vlage je pritisk na tipko F neveljaven, ventilator pa bo prisilno izbral delovanje nizke hitrosti vetra.

Pritisnite gumb "E" za izbiro načina mirovanja:

- V načinu hlajenja pritisnite obe tipki „F“ in „D“, da vklopite stanje mirovanja, potem bo enota delovala na varčevalni in tihi tip. Na nadzorni plošči se vklopi kontrolna svetilka zaslona »N«.

Pritisnite gumb "G" za izbiro obdobja delovanja, ko utripa LCD zaslon, pritisnite gumb "D" ali tipko "C" navzdol, da izberete želeno časovno obdobje. Čas nastavitve je 1-24 ure in ga lahko prilagodite navzgor ali navzdol za eno uro. Utripanje se bo kmalu končalo in LED zaslon se bo vrnil, da prikaže pričakovano temperaturo okolice.

Funkcija zakasnitve zagona:

- nastavitev zakasnitve ob vklopu:

Izklopite napravo in nato pritisnite gumb "G", nato pritisnite gumb "D" ali gumb "C" navzdol, da izberete želeno časovno vrednost. Najdaljša moč zakasnitve je 24 ur. Naprava se vklopi po preteku časa zamude.

- nastavitev zamika izklopa napajanja:

Vklopite napravo in nato pritisnite gumb "G", nato pritisnite gumb "D" ali gumb "C" navzdol, da izberete želeno časovno vrednost. Najdaljši čas zamude pri izklopu električne energije je 24 ur. Po preteku časa zamude se naprava izklopi.

## Delovanje DALJINSKEGA KONTROLA - slika E

Daljinski upravljalnik odda signale v sistem.

Gumb "A" - aparat se bo zagnal, ko je vklopljen, ali pa se bo ustavil, ko deluje, če pritisnete ta gumb.

Gumb "B" - pritisnite, da izberete način delovanja: hladen način → suhi način → način ventilatorja.

Gumb "C" / "D" - pritisnite, da prilagodite sobno temperaturo in časovnik.

Gumb "E" - pritisnite za nastavev ali preklic načina mirovanja.

Gumb "F" - pritisnite, da izberete hitrost ventilatorja v zaporedju: nizka / velika hitrost vetra.

Gumb "G" - pritisnite, da nastavite čas delovanja od 1 do 24 ur.

## ZAŠČITNE NAPRAVE

1. Funkcija zaščite pred zmrzaljo:

V načinu hlajenja, razvlaževanja ali varčevanja z energijo, če je temperatura izpušne cevi prenizka, bo stroj samodejno prejel zaščitno stanje; če se temperatura izpušne cevi dvigne na določeno temperaturo, se lahko samodejno vrne v normalno delovanje.

2. Funkcija zaščite pred prelivom "M":

Ko voda v vodni posodi preseže opozorilno raven, naprava samodejno sproži alarm in utripa indikator "POPOLNO" "M". V tem času izpustite vodo po navodilih za odvodnjavanje. Po izpraznitvi vode se stroj samodejno vrne v prvotno stanje.

3. Zaščitna funkcija kompresorja

Če želite podaljšati življenjsko dobo kompresorja, ima 3-minutno funkcijo zaščite pred zagonom po izklopu kompresorja.

## NAVODILA ZA ODSTRANITEV:

Ta stroj ima dva načina drenaže: ročno drenažo in neprekinjeno drenažo.

1. Ročna drenaža - slika F1.

Ko se naprava ustavi, ko je voda napolnjena, na nadzorni plošči vidite, da utripa kontrolna lučka „M“. Izklopite napajanje naprave in izklopite napajalni kabel. Stroj previdno premikajte, da ne bi razlili vode v posodo z vodo na dnu telesa. Posodo z vodo postavite pod odtok vode za ohišjem. Odvijte odprtino za odtok hladilnika navzdol (8) in izvlecite vtič iz vode, voda se bo samodejno pretakala v posodo z vodo. Odstavite pokrov za drenažo in vodni čep pravilno. Med drenažo se telo lahko nekoliko nagne nazaj. Če posoda za vodo ne more zadržati vse vode, preden je posoda z vodo napolnjena, čim prej napolnite odtok vode z vodnim čepom, da preprečite, da bi voda pritekla na tla ali preprogo. Ko se voda izprazni, napolnite vodni čep in privijte drenažni pokrov.

2. Neprekinjeno odvodnjavanje - možnost, ki se uporablja samo v načinu razvlaževanja zraka SAMO - prikazana na sliki F2.

Odvijte drenažni pokrov in izvlecite vtič iz vode. Odtočno cev (ki ni v kompletu) nastavite v odtok vode. Odtočno cev priključite na vedro.

## ČIŠČENJE IN VZDRŽEVANJE

Čiščenje: pred čiščenjem in vzdrževanjem izklopite stroj in izvlecite vtič.

a) Čiščenje ohišja

Očistite s površino naprave z mokro mehko krpo. Ne uporabljajte kemikalij, kot so benzen, alkohol, bencin, v nasprotnem primeru se poškoduje površina naprave ali celo celoten stroj.

b) Čiščenje filtra EVA

Če je zaslon filtra zamašen s prahom in je učinkovitost naprave zmanjšana, ne pozabite očistiti filtrirnega zaslona enkrat na dva tedna.

- Očistite zgornji okvir zaslona filtra - slika G.

- Odvijte en vijak na zadnjem pokrovu in odstranite mrežico EVA filtra (5).

- Filter vstavite v toplo vodo z nevtralnim detergentom (približno 40 °C / 104 °F) in ga po čiščenju izsušite v senci.

## SKLADIŠČENJE

1. Odvijte drenažni pokrov, izvlecite vtič iz vode in vodo v vodni ponvi izpustite v druge posode za vodo ali neposredno nagnite ohišje, da vodo izpustite v druge posode.

2. Napravo vklopite, prilagodite načinu ventilatorja z nizko hitrostjo in vzdržujte to stanje, dokler se odtočna cev (ki

- ni priložena kompletu) ne posuši, da ohranite notranjost ohišja v suhem stanju in preprečite, da bi plesen zavrela. .
3. Izklopite napravo, odstranite vtič iz vtičnice, namestite vtič in pokrov za odvajanje.
  4. Odstranite elemente izpušnih cevi za zrak.
  5. Klimatsko napravo pokrijte s plastično vrečko. Klimatsko napravo postavite na suh prostor, hranite jo izven dosega otrok in izvedite ukrepe za nadzor prahu.
  6. Odstranite baterije daljinskega upravljalnika in jih pravilno držite.

## ODPRAVLJANJE TEŽAV

Naprave ne popravljajte sami. Kvalificirano popravilo bo razveljavilo garancijo.

Problem I.: Klimatska naprava ne deluje.

Razlog 1: Električne energije ni. Torej, vklopite ga, ko ga priključite v vtičnico z električno energijo.

Razlog 2: Indikator preliva prikazuje "FL". Torej, izpustite vodo.

Razlog 3: Temperatura okolice je prenizka ali previsoka. Zato priporočamo, da napravo uporabljate pri temperaturi 7-35 35 (44-95 °F).

Razlog 4: V načinu hlajenja je sobna temperatura nižja od nastavljene temperature. Torej, spremenite nastavljeno temperaturo.

Razlog 5: V suhem načinu je temperatura okolice prenizka. Torej je treba napravo postaviti v prostor, kjer je temperatura okolja večja od 17 62 (62 °F).

Problem II: učinek hlajenja ni dober.

Razlog 1: Obstaja neposredna sončna svetloba. Torej, potegnite zaveso.

2. razlog: vrata ali okna so odprta; veliko je ljudi; ali v načinu hlajenja obstajajo drugi viri toplote. Torej, zaprite vrata in okna ter dodajte novo klimatsko napravo.

Razlog 3: Filter EVA je umazan. Torej, očistite ga.

Razlog 4: Dovod ali odvod zraka sta blokirana. Torej, jasne ovire.

Problem III: velik hrup

Razlog: Naprava ni postavljena na ravno površino. Napravo postavite na ravno in trdo mesto, da zmanjšate hrup.

Problem IV.: Kompressor ne deluje.

Razlog: Začne se zaščita pred pregrevanjem. Torej počakajte 3 minute, da se temperatura zniža, in nato ponovno zaženite stroj.

Težava V.: Daljinski upravljalnik ne deluje.

Razlog 1: Razdalja med strojem in daljinskim upravljalnikom je prevelika. Torej pustite daljinski upravljalnik blizu naprave in se prepričajte, da je daljinski upravljalnik neposredno obrnjen proti signalnemu receptorju (I) na nadzorni plošči.

Razlog 2: Daljinski upravljalnik ni usklajen s smerjo sprejemnika daljinskega upravljalnika. Torej, naredite kot zgoraj.

3. razlog: baterije so izčrpane. Torej, zamenjajte baterije.

Problem VI.: prikaže 'E1'.

Razlog: Senzor temperature cevi je nenormalen. Zato se obrnite na pooblaščen servisno organizacijo.

Problem VII.: prikaže 'E2'

Razlog: Senzor sobne temperature je nenormalen. Zato se obrnite na pooblaščen servisno organizacijo.

Opomba: Če se pojavijo težave, ki niso navedene v tabeli, ali priporočene rešitve ne delujejo, se obrnite na pooblaščen servisno organizacijo.

## TEHNIČNI PODATKI:

Kapaciteta hlajenja pri BTU: 7000 BTU / uro

Hladilna zmogljivost v vatih: 2060W

Poraba energije (hlajenje) W: 792 W

Raven hrupa: <= 65 dB

Pretok zraka: 300 m3 / h

Energetski razred: A

Časovnik: 24 ur

Teža hladilne tekočine R290: največ 130 gramov



Pozor, nevarnost požara  
NE prebijajte in ne gorjite.  
Bodite pozorni, da hladilno sredstvo morda ne vsebuje vonja.



Starostlivosť o životné prostredie. Kartónový obal odovzdajte do zberných surovín. Polyetylénové vrecká (PE) vyhodte do kontajnera na plast. Opatrený spotrebič odovzdajte na príslušný zberný dvor, nebezpečné látky spotrebiča môžu predstavovať riziko pre životné prostredie. Elektrosprebič odstráňte tak, aby nedochádzalo k jeho ďalšiemu použitiu. Ak sa v spotrebiči nachádzajú batérie, vyberte ich a odovzdajte ich na zberné miesto osobitne. Spotrebič nevyhadzujte do kontajnera na komunálny odpad!

## ČESKY

### OBEČNÉ BEZPEČNOSTNÍ PODMÍNKY

**DŮLEŽITÉ BEZPEČNOSTNÍ POKYNY PŘEČTĚTE SI** opatrně a uložte je pro budoucnost

1. Před použitím zařízení si přečtěte návod k obsluze a postupujte podle pokynů v něm obsažených. Výrobce neodpovídá za škody způsobené používáním zařízení v rozporu s jeho určeným účelem nebo nesprávným provozem.
2. Zařízení je určeno pouze pro domácí použití. Nepoužívejte k jiným účelům, než k zamýšlenému účelu.
3. Zařízení by mělo být připojeno pouze k síťové zásuvce s uzemněným 220 240 V ~ 50 Hz. Pro zvýšení provozní bezpečnosti by nemělo být současně připojeno více elektrických zařízení na jeden proudový obvod.
4. Při používání zařízení v blízkosti dětí buďte velmi opatrní. Nedovolte dětem, aby si se zařízením hrály, nedovolte dětem nebo osobám neznámým se zařízením, aby jej používaly.
5. **VAROVÁNÍ:** Toto zařízení mohou používat děti starší 8 let a lidé s omezenými fyzickými, smyslovými nebo mentálními schopnostmi nebo lidé, kteří nemají žádné zkušenosti nebo znalosti o vybavení, pokud se tak děje pod dohledem odpovědné osoby. z důvodu jejich bezpečnosti nebo jim byly poskytnuty informace o bezpečném používání zařízení a jsou si vědomy nebezpečí jeho používání. Děti by si s tímto zařízením neměly hrát. Čištění a údržbu zařízení by neměly provádět děti, pokud nejsou starší 8 let a tyto činnosti jsou prováděny pod dohledem.
6. Po použití vždy odpojte napájecí zástrčku tak, že budete držet zásuvku rukou. **NEDOTÝKEJTE** se napájecího kabelu.
7. Kabel, zástrčku a celé zařízení neponořujte do vody ani jiné kapaliny. Nevystavujte zařízení povětrnostním vlivům (děšť, slunce atd.) Ani je nepoužívejte v podmínkách vysoké vlhkosti (koupelny, vlhké mobilní domy).
8. Pravidelně kontrolujte stav napájecího kabelu. Pokud je napájecí kabel poškozen, měl by být vyměněn v odborném servisu, aby nedošlo k nebezpečí.
9. Nepoužívejte spotřebič s poškozeným napájecím kabelem nebo pokud spadl nebo je poškozen jiným způsobem nebo pokud nefunguje správně. Neopravujte zařízení sami, mohlo by dojít k úrazu elektrickým proudem. Poškozené zařízení odneste do příslušného servisního střediska ke kontrole nebo opravě. Veškeré opravy smí provádět pouze autorizovaný servis. Nesprávně provedené opravy mohou pro uživatele představovat vážné nebezpečí.
10. Umístěte zařízení na chladný, stabilní povrch, mimo horké kuchyňské spotřebiče, jako jsou elektrický sporák, plynový hořák atd.
11. Ujistěte se, že nic neblokuje přívod a odvod vzduchu ze zařízení
12. Používejte zařízení pouze na rovném povrchu, aby se zabránilo úniku kondenzátu
13. Pro zajištění dodatečné ochrany je vhodné do elektrického obvodu nainstalovat zařízení na proudový chránič (RCD) s jmenovitým zbytkovým proudem nepřesahujícím 30 mA.

Požádejte o to elektrikáře.

14. Pravidelně čistěte vzduchový filtr. Četnost čištění závisí na čistotě vzduchu.

15. Po vypnutí zařízení vyčkejte alespoň 5 minut, než jej znovu zapnete.

16. Nepoužívejte zařízení na slunných místech. Když se zařízení přehřeje, zapne se ochrana proti přehřátí.

17. Pro zajištění účinného chlazení by měla být mezi bočními stěnami zařízení a stěnou nebo nábytkem nebo závěsy dodržena vzdálenost nejméně 50 cm.

18. Vzhledem k omezenému výkonu zařízení, pokud je rozdíl mezi cílovou teplotou a okolní teplotou příliš velký, nemusí být cílové teploty dosaženo.

19. Abyste snížili riziko požáru, úrazu elektrickým proudem nebo zranění při používání klimatizace, dodržujte následující základní opatření:

a) Připojte k uzemněné zásuvce pomocí 3 pinů.

b) Neodstraňujte uzemňovací kolík.

c) Nepoužívejte adaptér.

d) Nepoužívejte prodlužovací kabel.

e) Před údržbou odpojte klimatizaci.

f) K přemísťování a instalaci klimatizace použijte dvě nebo více osob.

20. Nepoužívejte prostředky, které urychlují proces odmrazování nebo čištění, než ty, které doporučuje výrobce.

21. Zařízení by mělo být skladováno v místnosti bez stálých provozních zdrojů zapálení, například: otevřený oheň, plynové spotřebiče nebo elektrické ohřívače.

Popis zařízení - Obrázek A

1. Ovládací panel

3. Dálkový ovladač (obrázek E)

5. Vstup výparníku s filtrem EVA

7. Horní vypouštěcí otvor chladiče

9. Adaptér pro výfuk okna

2. Výstup studeného vzduchu

4. Transportní rukojeť

6. Výfuková trubka vzduchu

8. Spodní vypouštěcí otvor chladiče

10. Konektor potrubí pro odvod vzduchu

Popis ovládacího panelu - obrázek D.

A. Tlačítko napájení

C. Tlačítko pro snížení času / teploty

E. Tlačítka režimu spánku (D & F stisknutá společně v režimu chlazení)

G. Tlačítko časovače

I. Signální signál pro dálkový ovladač

K. Kontrolka režimu sušení

M. Kontrolka plné vody

O. Kontrolka zapnutí / vypnutí

Q. Kontrolka teploty

B. Tlačítko režimu

D. Tlačítko pro zvýšení času / teploty

F. Tlačítko rychlosti ventilátoru

H. Obrazovka LED

J. Kontrolka režimu chlazení

L. Kontrolka režimu ventilátoru

N. Kontrolka režimu spánku

P. Kontrolka času

Dálkový ovladač - obrázek E

A. Tlačítko napájení

C. Tlačítko pro snížení času / teploty

E. Režim spánku

G. Tlačítko časovače

B. Tlačítko režimu

D. Tlačítko pro zvýšení času / teploty

F. Tlačítko rychlosti ventilátoru

Provoz ovládacího panelu - obrázek D

Stisknutím tlačítka „A“ zapnete a vypnete stroj, bzučák jednou zazní signál. Na ovládacím panelu se rozsvítí kontrolka „O“.

Stisknutím tlačítka „B“ přepnete režim mezi režimem chlazení → režim ventilátoru → režim odvlhčování.



- Stisknutím tlačítka „D / C“ nahoru / dolů změníte nastavenou teplotu nebo čas nastavení, postupujte takto:
- Při nastavování teploty stiskněte tlačítko nahoru nebo dolů a vyberte požadovanou teplotu (není k dispozici v režimu ventilátoru nebo odvlhčování).
  - Při nastavování času stisknutím tlačítka nahoru nebo dolů vyberte požadovaný čas.

Stisknutím tlačítka „F“ vyberte rychlost ventilátoru:

- V režimu chlazení a ventilátoru stisknutím tlačítka „F“ vyberte režim vysoké nebo nízké rychlosti větru. V příliš chladných podmínkách nemusí fungovat podle nastavené rychlosti větru.
- V režimu odvlhčování je stisknutí tlačítka „F“ neplatné a ventilátor si násilně zvolí provoz s nízkou rychlostí větru.

Stisknutím tlačítka „E“ vyberte režim spánku:

- V režimu chlazení stiskněte obě tlačítka „F“ a „D“ pro zapnutí režimu spánku, pak jednotka bude pracovat na režimu úspory energie a tichého režimu. Kontrolka modelu spánku „N“ se rozsvítí na ovládacím panelu.

Stiskněte tlačítko „G“ pro výběr doby provozu, když LCD obrazovka bliká, stiskněte tlačítko nahoru „D“ nebo tlačítko dolů „C“ a vyberte požadovaný časový rozsah. Rozsah nastavení času 1-24 hodin a lze jej nastavit o jednu hodinu nahoru nebo dolů. Blikání brzy skončí a LED obrazovka se vrátí a zobrazí očekávanou teplotu okolí.

Funkce odloženého startu:

- Nastavení zpoždění zapnutí:

Vypněte zařízení a poté stiskněte tlačítko „G“, poté stiskněte tlačítko nahoru „D“ nebo tlačítko „C“ a zvolte požadovanou časovou hodnotu. Maximální doba zpoždění napájení je 24 hodin. Zařízení se zapne po uplynutí doby zpoždění.

- Nastavení zpoždění vypnutí:

Zapněte zařízení a poté stiskněte tlačítko „G“, poté stiskněte tlačítko nahoru „D“ nebo tlačítko „C“ a zvolte požadovanou časovou hodnotu. Maximální doba zpoždění vypnutí je 24 hodin. Po uplynutí doby zpoždění se zařízení vypne.

Provoz dálkového ovladače - obrázek E

Dálkový ovladač přenáší signály do systému.

Tlačítko „A“ - spotřebič se spustí, když je pod napětím, nebo se zastaví, když je v provozu, pokud stisknete toto tlačítko.

Tlačítko „B“ - stiskem zvolíte provozní režim: chladný režim → suchý režim → režim ventilátoru.

Tlačítko „C“ / „D“ - stisknutím nastavíte pokojovou teplotu a časovač.

Tlačítko „E“ - stisknutím nastavíte nebo zrušíte režim spánku.

Tlačítko „F“ - stisknutím tohoto tlačítka zvolíte sekvenční rychlost ventilátoru: nízká / vysoká rychlost větru.

Tlačítko „G“ - stisknutím nastavíte dobu provozu od 1 do 24 hodin.

## OCHRANNÉ ZAŘÍZENÍ

1. Funkce protimrazové ochrany:

V režimu chlazení, odvlhčování nebo úsporného režimu, pokud je teplota výfukového potrubí příliš nízká, stroj automaticky přejde do stavu ochrany; pokud teplota výfukového potrubí stoupne na určitou teplotu, může se automaticky vrátit k normálnímu provozu.

2. Funkce ochrany proti přetečení „M“:

Když voda ve vodní pánvi překročí varovnou úroveň, přístroj automaticky vydá poplach a kontrolka „FULL“ začne blikat „M“. V tuto chvíli vypusťte vodu podle pokynů pro odvodnění. Po vyprázdnění vody se stroj automaticky vrátí do původního stavu.

3. Ochranná funkce kompresoru

Pro zvýšení životnosti kompresoru má po vypnutí kompresoru funkci ochrany proti zavádění po dobu 3 minut.

## POKYNY PRO ODSTRAŇOVÁNÍ:

Tento stroj má dvě metody drenáže: ruční drenáž a kontinuální drenáž.

1. Ruční drenáž - obrázek F1.

Když se zařízení po naplnění vody zastaví, na ovládacím panelu se rozsvítí kontrolka „M“. Vypněte napájení zařízení a odpojte napájecí zástrčku. Pohybuje strojem opatrně, aby se voda nevysypala do vodní nádoby na dně těla. Umístěte nádobu na vodu pod výtok vody za kryt. Odšroubujte vypouštěcí otvor chladiče (8) a odpojte vodní zátku, voda automaticky vytéká do vodní nádrže. Udržujte drenážní kryt a zátku správně. Během drenáže může být tělo nakloněno mírně dozadu. Pokud nádoba na vodu nemůže zadržet veškerou vodu, než je nádoba na vodu plná, co nejdříve uzavřete výtok vody zátkou na vodu, abyste zabránili vytékání vody na podlahu nebo na koberec. Když je voda vypouštěna, uzavřete uzávěr vody a utáhněte drenážní kryt.

2. Průběžné odvodnění - možnost použitelná POUZE pro režim odvlhčování - viz obrázek F2.

Odšroubujte odtokový kryt a odpojte vodní zátku. Odtokovou trubku (není součástí soupravy) vložte do výstupu vody. Připojte drenážní potrubí k vědru.

## ČIŠTĚNÍ A ÚDRŽBA

Čištění: Před čištěním a údržbou stroj vypněte a vytáhněte zástrčku ze zásuvky.

### a) Čištění krytu

Vyčistěte povrch přístroje vlhkým měkkým hadříkem. Nepoužívejte chemikálie, jako je benzen, alkohol, benzín, jinak dojde k poškození povrchu zařízení nebo poškození celého zařízení.

### b) Čištění filtru EVA

Pokud je filtrační síto zaneseno prachem a účinnost zařízení je snížena, vyčistěte filtrační síto jednou za dva týdny.

- Vyčistěte horní část obrazovky filtru - obrázek G.

- Povolte jeden šroub v zadním krytu a vyjměte sítku filtru EVA (5).

- Vložte filtr do teplé vody s neutrálním čisticím prostředkem (asi 40 °C / 104 °F) a po opláchnutí jej ve stínu vysušte.

## ÚLOŽNÝ PROSTOR

1. Odšroubujte odtokový kryt, odpojte vodní zátku a vypustte vodu z vodní nádoby do jiných nádob na vodu nebo přímo nakloňte kryt a vypustte vodu do jiných nádob.

2. Zapněte zařízení, upravte jej na režim nízkých otáček ventilátoru a udržujte tento stav, dokud nebude drenážní trubka (není součástí soupravy) suchá, aby se vnitřní část krytu udržovala v suchém stavu a aby se zabránilo plísním .

3. Vypněte zařízení, vytáhněte zástrčku ze zásuvky, nainstalujte zástrčku a vypouštěcí kryt.

4. Odstraňte prvky potrubí pro odvod vzduchu.

5. Přikryjte klimatizaci plastovým sáčkem. Umístěte klimatizaci na suchém místě, chraňte ji mimo dosah dětí a proveďte opatření proti prachu.

6. Vyjměte baterie z dálkového ovladače a řádně je uschovejte.

## ŘEŠENÍ PROBLÉMŮ

Neopravujte zařízení sami. Kvalifikovanou opravou se záruka ruší.

Problém I .: Klimatizace nefunguje.

Důvod 1: Není elektrina. Takže ji po připojení k elektrické zásuvce zapněte.

Důvod 2: Indikátor přetečení zobrazuje „FL“. Takže vypustte vodu.

Důvod 3: Okolní teplota je příliš nízká nebo příliš vysoká. Doporučujeme proto zařízení používat při teplotě 7-35 °C (44-95 °F).

Důvod 4: V režimu chlazení je pokojová teplota nižší než nastavená teplota. Změňte tedy nastavenou teplotu.

Důvod 5: V suchém režimu je okolní teplota příliš nízká. Zařízení by proto mělo být umístěno v místnosti s okolní teplotou vyšší než 17 °C (62 °F).

Problém II .: Chladicí účinek není dobrý.

Důvod 1: Existuje přímé sluneční světlo. Takže zatáhněte za oponu.

Důvod 2: Dveře nebo okna jsou otevřená; existuje spousta lidí; nebo v režimu chlazení jsou jiné zdroje tepla.

Zavřete tedy dveře a okna a přidejte novou klimatizaci.

Důvod 3: Filtr EVA je znečištěný. Takže to vyčistěte.

Důvod 4: Vstup nebo výstup vzduchu je blokován. Takže jasné překážky.

Problém III .: Velký hluk

Důvod: Zařízení není umístěno na rovném povrchu. Umístěte zařízení na rovné a tvrdé místo, aby se snížil hluk.

Problém IV.: Kompresor nefunguje.

Důvod: Ochrana proti přehřátí začíná. Počkejte 3 minuty, až se teplota sníží, a poté stroj restartujte.

Problém V.: Dálkové ovládání nefunguje.

Důvod 1: Vzdálenost mezi strojem a dálkovým ovládáním je příliš velká. Nechte dálkový ovladač přiblížit se k zařízení a ujistěte se, že dálkový ovladač směřuje přímo k signálnímu receptoru (I) na ovládacím panelu.

Důvod 2: Dálkové ovládání není vyrovnáno se směrem přijímače dálkového ovládání. Takže, jak je uvedeno výše.

Důvod 3: Baterie jsou vybité. Vyměňte tedy baterie.

Problém VI.: Zobrazuje „E1“.

Důvod: Snímač teploty potrubí je neobvyklý. Obrat'te se prosím na autorizovanou servisní organizaci.

Problém VII.: Zobrazuje „E2“

Důvod: Snímač pokojové teploty je neobvyklý. Obrat'te se prosím na autorizovanou servisní organizaci.

Poznámka: Pokud se vyskytnou problémy neuvedené v tabulce nebo doporučená řešení nefungují, obrat'te se na autorizovanou servisní organizaci.

#### TECHNICKÁ DATA:

Chladicí kapacita na BTU: 7000 BTU / hod

Chladicí výkon ve wattech: 2060 W

Spotřeba energie (chlazení) W: 792 W

Hlučnost: <= 65 dB

Průtok vzduchu: 300 m<sup>3</sup> / h

Energetická třída: A

Časovač: 24 hodin

Hmotnost chladicího média R290: maximálně 130 gramů



Pozor, nebezpečí požáru.

NEPROPOUŠTĚTE ani nespalujte.

Uvědomte si, že chladivo nemusí obsahovat zápach.



Staráme se o životní prostředí. Papírové obaly odevzdávejte do sběrných surovin. Polyetylenová balení (PE) vhažujte do odpadkových košů na plasty. Použité zařízení odevzdávejte do sběrného dvoru, protože se v něm mohou nacházet části, které jsou pro životní prostředí škodlivé nebo nebezpečné. Elektrospotřebiče odevzdávejte v takové podobě, aby bylo znemožněno jejich další použití. Pokud se v zařízení nacházejí baterie, vyjměte je a odevzdejte zvlášť.

## DANSKI

### GENERELLE SIKKERHEDSBETINGELSER

#### VIGTIGE SIKKERHEDSINSTRUKTIONER LÆS PERSONLIG OG SPAR FOR FREMTID

1. Før du bruger enheden, skal du læse betjeningsvejledningen og følge instruktionerne i den. Producenten er ikke ansvarlig for skader forårsaget af brug af enheden i modsætning til dets tilsigtede formål eller forkert betjening.
2. Enheden er kun til hjemmebrug. Brug ikke til andre formål, der ikke er beregnet til dets tilsigtede formål.
3. Enheden skal kun tilsluttes en stikkontakt med et jordet 220 240V ~ 50Hz. For at øge driftssikkerheden skal flere elektriske enheder ikke tilsluttes et strømkredsløb på samme tid.
4. Vær meget forsigtig, når du bruger enheden, når børn er i nærheden. Lad ikke børn lege med enheden, lad ikke børn eller personer, der ikke kender enheden, bruge den.
5. ADVARSEL: Dette udstyr kan bruges af børn over 8 år og personer med begrænset fysisk, sensorisk eller mental evne, eller personer, der ikke har erfaring eller viden om udstyret, hvis dette sker under opsyn af en ansvarlig person for deres sikkerhed eller har fået dem oplysninger om sikker brug af enheden og er opmærksomme på farerne ved at bruge det. Børn bør ikke lege med udstyret. Rengøring og vedligeholdelse af enheden bør ikke udføres af børn, medmindre de er over 8 år gamle, og disse aktiviteter udføres under opsyn.

6. Frakobl altid strømstikket ved at holde stikket med hånden efter brug. Træk IKKE i netledningen.
7. Sænk ikke kablet, stikket og hele enheden i vand eller anden væske. Udsæt ikke enheden for atmosfæriske forhold (regn, sol osv.) Eller brug under forhold med høj luftfugtighed (badeværelser, fugtige mobilhomes).
8. Kontroller periodisk strømkablets tilstand. Hvis strømkablet er beskadiget, skal det udskiftes af et specialværksted for at undgå fare.
9. Brug ikke apparatet med et beskadiget strømkabel, eller hvis det er faldet eller beskadiget på anden måde, eller hvis det ikke fungerer korrekt. Reparer ikke enheden selv, da der er risiko for elektrisk stød. Tag den beskadigede enhed til et passende servicecenter for kontrol eller reparation. Alle reparationer må kun udføres af autoriserede servicepunkter. Forkert udførte reparationer kan medføre alvorlig fare for brugeren.
10. Placer enheden på en kølig, stabil overflade væk fra varme køkkenapparater som: elektrisk komfur, gasbrænder osv.
11. Sørg for, at intet blokerer enhedens luftindtag og udløb
12. Brug kun enheden på en plan overflade for at forhindre, at kondensen spilder ud
13. For at yde yderligere beskyttelse tilrådes det at installere en reststrømsenhed (RCD) i det elektriske kredsløb med en nominal reststrøm på ikke over 30 mA. Spørg en elektriker til dette.
14. Rengør luftfilteret regelmæssigt. Rengøringshyppigheden afhænger af luftens renhed.
15. Efter at have slukket for maskinen, skal du vente mindst 5 minutter, før du tænder den igen.
16. Brug ikke enheden solrige steder. Når enheden overophedes, tændes overophedningsbeskyttelsen enheden.
17. For at sikre effektiv afkøling skal der holdes en afstand på mindst 50cm mellem enhedens sidevægge og væggen eller møbler eller gardiner.
18. På grund af enhedens begrænsede ydeevne, hvis forskellen mellem måltemperaturen og omgivelsestemperaturen er for stor, er måske ikke måltemperaturen nået.
19. For at reducere risikoen for brand, elektrisk stød eller personskade, når du bruger klimaanlægget, skal du følge følgende grundlæggende forholdsregler:
  - a) Tilslut til et jordet stikkontakt med 3 stifter.
  - b) Fjern ikke jordforbindelsesstangen.
  - c) Brug ikke adapteren.
  - d) Brug ikke en forlængerledning.
  - e) Frakobl klimaanlægget før service.
  - f) Brug to eller flere personer til at flytte og installere klimaanlægget.
20. Brug ikke andre midler, der fremskynder afrimnings- eller rengøringsprocessen, bortset fra dem, der er anbefalet af producenten.
21. Enheden skal opbevares i et rum uden konstant drift af antændelseskilder, for eksempel: åben ild, gasapparater eller elektriske opvarmere.

3. Fjernbetjening (billede E)
5. Fordamperindgang med EVA-filter
7. Øvre køler afløbshul
9. Vinduesudstødningsadapter

4. Transporthåndtag
6. Luftudstødningsrør
8. Nedkøler drænhul
10. Tilslutning af luftudstødningsrør

#### Betjeningspanel Beskrivelse - Billede D.

- |  |                                   |
|--|-----------------------------------|
| A. Tænd / sluk-knap  | B. Mode-knap                      |
| C. Timer / temperatur ned-knap                                   | D. Timer / temperatur op-knap     |
| E. Knapper til sleep-model (D & F trykket sammen i køletilstand) | F. Blæserhastighedsknap           |
| G. Timerknap   | H. LED-skærm                      |
| I. Signalreceptor til fjernbetjening                             | J. Cool tilstand kontrol lampe    |
| K. Kontrollampe for tør tilstand                                 | L. Ventilator kontrollampe        |
| M. Komplet vandkontrollampe                                      | N. Kontrollampe for dvaletilstand |
| O. Kontrollampen til tænd / sluk                                 | P. Tidsreguleringslampe           |
| Q. temperaturreguleringslampe                                    |                                   |

#### Fjernbetjening - Billede E

- |                                |                               |
|--------------------------------|-------------------------------|
| A. Tænd / sluk-knap            | B. Mode-knap                  |
| C. Timer / temperatur ned-knap | D. Timer / temperatur op-knap |
| E. Sleep model                 | F. Ventilatorhastighedsknap   |
| G. Timer-knap                  |                               |

#### Betjening af betjeningspanel - billede D

Tryk på knappen "A" for at tænde og slukke for maskinen, summeren afspiller signal én gang. Kontrollampen "O" tændes for kontrolpanelet.

Tryk på knappen "B" for at skifte tilstand mellem køletilstand → ventilatortilstand → affugtningstilstand.

Tryk på knappen "D / C" Op / Ned for at ændre indstillingstemperatur eller indstillingstid, skal du arbejde som følger:

- Indstil temperatur, skal du trykke på knappen op eller ned for at vælge den ønskede temperatur (ikke tilgængelig i ventilator eller affugtningstilstand).
- Mens du indstiller tid, skal du trykke på op- eller ned-knappen for at vælge den ønskede tid.

Tryk på knappen „F“ for at vælge blæserhastighed:

- I køle- og ventilatortilstand skal du trykke på knappen "F" for at vælge høj eller lav vindhastighedsdrift. Under for kolde forhold kører det muligvis ikke i henhold til den indstillede vindhastighed.
- I affugtningstilstand er tryk på knappen "F" ugyldig, og blæseren vælger med kraft med lav vindhastighed.

Tryk på knappen "E" for at vælge Dvaletilstand:

- I køletilstand, tryk på begge knapper "F" og "D" for at tænde dvaletilstanden, så fungerer enheden på energibesparende og stille type. Sovemodellens kontrollampe "N" tændes for kontrolpanelet.

Tryk på knappen "G" for at vælge driftsperiode, når LCD-skærmen blinker, tryk på knappen "D" eller ned-knappen "C" for at vælge det krævede tidsinterval. Tidsindstillingsområde 1-24 timer og kan justeres op eller ned med en time. Den blinkende slutter snart, og LED-skærmen vender tilbage for at vise den forventede omgivelsestemperatur.

Forsink startfunktion:

- Indstilling af tændingsforsinkelse:

Sluk for enheden, og tryk derefter på knappen "G", tryk derefter op-knappen "D" eller ned-knappen "C" for at vælge den ønskede tidsværdi. Den maksimale strømforsinkelse er 24 timer. Enheden tændes, når forsinkelsestiden er gået.

- Indstilling af sluk for slukning:

Tænd for enheden, og tryk derefter på knappen "G", tryk derefter op-knappen "D" eller ned-knappen "C" for at vælge den ønskede tidsværdi. Den maksimale forsinkelse er slukket 24 timer. Enheden slukkes, når forsinkelsestiden er gået.

## Fjernbetjening - billede E

Fjernbetjeningen sender signaler til systemet.

Knap "A" - apparatet startes, når det er tændt eller stoppes, når det er i drift, hvis du trykker på denne knap.

Knap "B" - tryk på den for at vælge driftsfunktion: kølig tilstand → tør tilstand → ventilatortilstand.

Knap "C" / "D" - tryk for at justere stuetemperaturen og timeren.

Knap "E" - tryk for at indstille eller annullere dvaletilstand.

Knap "F" - tryk på den for at vælge blæserhastighed i rækkefølge: lav / høj vindhastighed.

Knap "G" - tryk for at indstille driftstiden fra 1 til 24 timer.

## BESKYTTELSESANORDNINGER

### 1. Frostbeskyttelsesfunktion:

Ved afkøling, affugtning eller økonomisk strømbesparende tilstand, hvis temperaturen på udstødningsrøret er for lavt, går maskinen automatisk i beskyttelsesstatus; hvis temperaturen på udstødningsrøret stiger til en bestemt temperatur, kan det automatisk vende tilbage til normal drift.

### 2. Overflowbeskyttelsesfunktion "M":

Når vand i vandpanden overskrider advarselsniveauet, lyder maskinen automatisk en alarm, og indikatorlampen "FULL" blinker "M". Tøm på dette tidspunkt vandet i henhold til dræningsinstruktioner. Når vandet er tømt, vender maskinen automatisk tilbage til den oprindelige tilstand.

### 3. Beskyttelsesfunktion af kompressoren

For at øge kompressorens levetid har den en beskyttelsesfunktion på 3 minutter med forsinkelse af start, når kompressoren er slukket.

## DRINAGEINSTRUKTIONER:

Denne maskine har to dræningsmetoder: manuel dræning og kontinuerlig dræning.

### 1. Manuel dræning - billede F1.

Når enheden stopper, når vandet er fyldt, ser du på kontrolpanelet, at "M" -kontrollampen blinker. Sluk for enhedens strøm, og tag stikket ud af stikkontakten. Flyt maskinen omhyggeligt, så man ikke spilder vandet i vandpanden i bunden af kroppen. Placer vandbeholderen under vandudløbet bag huset. Skru det nedkøler drænhul (8) ud, og tag vandstikket ud, vandet strømmer automatisk ind i vandbeholderen.

Opbevar dræningsdækslet og vandstikket korrekt. Under dræning kan kroppen vippes let bagud. Hvis vandbeholderen ikke kan rumme alt vandet, inden vandbeholderen er fuld, skal du fylde vandudløbet med vandstikket så hurtigt som muligt for at forhindre vand i at strømme til gulvet eller tæppet. Når vandet tømmes, skal du fylde vandstikket, og spænd dræningsdækslet.

### 2. Kontinuerlig dræning - mulighed kun for affugtningstilstand - vist på billede F2.

Skru af dræningsdækslet, og tag vandstikket ud. Sæt dræningsrøret (ikke inkluderet i kittet) i vandudløbet. Tilslut dræningsrøret til spanden.

## RENGØRING OG VEDLIGEHOLDELSE

Rengøring: Før rengøring og vedligeholdelse, skal du slukke for maskinen og tage stikket ud af stikket.

### a) Rengøring af boliger

Rengør med enhedens overflade med en våd, blød klud. Brug ikke kemikalier, såsom benzen, alkohol, benzin, ellers vil enhedens overflade blive beskadiget, eller endda hele maskinen vil blive beskadiget.

### b) Rengøring af EVA-filter

Hvis filterskærmen er tilstoppet med støv, og enhedens effektivitet reduceres, skal du sørge for at rengøre filterskærmen en gang hver anden uge.

- Rengør den øverste filterskærmsramme - billede G.

- Løsn en skrue i bagdækslet, og fjern EVA-filteret (5).

- Sæt filteret i varmt vand med neutralt rengøringsmiddel (ca. 40 °C / 104 °F) og tør det i skyggen efter skylning.

## OPBEVARING

1. Skru dræningsdækslet af, tag vandstikket ud, og aflad vandet i vandpanden i andre vandbeholdere, eller vip huset direkte for at tømme vandet i andre containere.

2. Tænd for enheden, juster den til lavhastighedsventilatortilstand, og oprethold denne tilstand, indtil dræningsrøret (ikke inkluderet i kittet) bliver tørt, så husets inderside holdes i tør tilstand og forhindrer, at det mildner .

3. Sluk for enheden, tag stikket ud af stikkontakten, sæt stikket og drænet til.

4. Fjern udstødningsrørelementerne.

5. Dæk klimaanlægget med en plastikpose. Placer aircondition på et tørt sted, hold det utilgængeligt for børn og tag støvkontrolforanstaltninger.

6. Fjern batterierne på fjernbetjeningen, og opbevar dem korrekt.

## FEJLFINDING

Reparer ikke enheden selv. Kvalificeret reparation annullerer garantien.

Problem I.: Klimaenlægget fungerer ikke.

Årsag 1: Der er ingen elektricitet. Så tænd den, når du har tilsluttet den til en stikkontakt med elektricitet.

Årsag 2: Overløbsindikatoren viser "FL". Så udledes vandet.

Årsag 3: Den omgivende temperatur er for lav eller for høj. Så anbefaler du at bruge enheden i ved temperaturen 7-35 °C (44-95 °F).

Årsag 4: I køletilstand er stuetemperaturen lavere end den indstillede temperatur. Så ændre den indstillede temperatur.

Årsag 5: I tør tilstand er omgivelsestemperaturen for lav. Så enheden skal placeres i et rum med en omgivelsestemperatur på over 62 °F.

Problem II.: Køleeffekten er ikke god.

Årsag 1: Der er direkte sollys. Så træk gardinet.

Årsag 2: Døre eller vinduer er åbne; der er mange mennesker; eller i køletilstand er der andre varmekilder. Så luk døre og vinduer, og tålføj nyt klimaenlæg.

Årsag 3: EVA-filteret er beskidt. Så rengør det.

Årsag 4: Luftindtaget eller -udløbet er blokeret. Så klare forhindringer.

Problem III.: Stor støj

Årsag: Enheden er ikke placeret på en plan overflade. Så sæt enheden på et fladt og hårdt sted for at reducere støj.

Problem IV.: Kompressor fungerer ikke.

Årsag: Beskyttelse mod overophedning starter. Så vent i 3 minutter, indtil temperaturen er sænket, og genstart derefter maskinen.

Problem V. Fjernbetjeningen fungerer ikke.

Årsag 1: Afstanden mellem maskinen og fjernbetjeningen er for langt. Så lad fjernbetjeningen komme tæt på enheden, og sørg for, at fjernbetjeningen vender direkte mod signalreceptoren (I) på kontrolpanelet.

Årsag 2: Fjernbetjeningen er ikke på linje med fjernbetjeningsmodtagerens retning. Så gør som ovenfor.

Årsag 3: Batterier er opbrugt. Så udskift batterier.

Problem VI.: Viser 'E1'.

Årsag: Rørets temperaturføler er unormal. Så kontakt venligst en autoriseret serviceorganisation.

Problem VII.: Viser 'E2'

Årsag: Rumtemperaturføleren er unormal. Så kontakt venligst en autoriseret serviceorganisation.

Bemærk: Hvis der ikke opstår problemer, der ikke er anført i tabellen, eller anbefalede løsninger ikke fungerer, skal du kontakte en autoriseret serviceorganisation.

## TEKNISK DATA:

Kølekapacitet ved BTU: 7000 BTU / time

Kølekapacitet i watt: 2060W

Energiforbrug (afkøling) W: 792 W

Støjniveau: <= 65dB

Luftstrøm: 300 m<sup>3</sup> / h

Energiklasse: A

Timer: 24 timer

R290 kølevæske: maks. 130 gram



Af hensyn til miljøet ..

Venligst overfør papemballage til affaldspapir. Hæld polyethylenposer (PE) i plastbeholderen Slidt enhed skal returneres til det relevante punkt opbevaring, fordi det er farligt i enheden ingredienser kan udgøre en trussel for miljøet. Den elektriske enhed skal overleveres for at begrænse dets genanvendelse og brug. Hvis i enheden der er batterier, fjern dem og vende tilbage til punktet opbevares separat.



Forsigtig, risiko for brand.

Må IKKE gennembore eller brænde.

Vær opmærksom på, at kølemediet muligvis ikke indeholder en lugt.

ΕΛΛΑΔΑ

ΓΕΝΙΚΕΣ ΠΡΟΫΠΟΘΕΣΕΙΣ ΑΣΦΑΛΕΙΑΣ

ΣΗΜΑΝΤΙΚΕΣ ΟΔΗΓΙΕΣ ΑΣΦΑΛΕΙΑΣ ΔΙΑΒΑΣΤΕ ΠΡΟΣΕΚΤΙΚΑ ΚΑΙ ΦΥΛΑΞΤΕ ΓΙΑ ΜΕΛΛΟΝ

1. Πριν χρησιμοποιήσετε τη συσκευή, διαβάστε το εγχειρίδιο λειτουργίας και ακολουθήστε τις οδηγίες που περιέχει. Ο κατασκευαστής δεν ευθύνεται για ζημιές που προκλήθηκαν από τη χρήση της συσκευής σε αντίθεση με τον προορισμό ή την ακατάλληλη λειτουργία.
2. Η συσκευή προορίζεται μόνο για οικιακή χρήση. Μην χρησιμοποιείτε για άλλους σκοπούς που δεν είναι για τον προορισμό τους.
3. Η συσκευή πρέπει να συνδέεται μόνο σε πρίζα εναλλασσόμενου ρεύματος με γειωμένο 220 240V ~ 50Hz. Για να αυξήσετε την ασφάλεια λειτουργίας, πολλές ηλεκτρικές συσκευές δεν πρέπει να συνδέονται ταυτόχρονα σε ένα κύκλωμα ρεύματος.

4. Να είστε ιδιαίτερα προσεκτικοί όταν χρησιμοποιείτε τη συσκευή όταν τα παιδιά βρίσκονται κοντά. Μην επιτρέπετε στα παιδιά να παίζουν με τη συσκευή, μην επιτρέπετε σε παιδιά ή άτομα που δεν είναι εξοικειωμένα με τη συσκευή να τα χρησιμοποιούν.
5. ΠΡΟΕΙΔΟΠΟΙΗΣΗ: Αυτός ο εξοπλισμός μπορεί να χρησιμοποιηθεί από παιδιά ηλικίας άνω των 8 ετών και άτομα με περιορισμένη σωματική, αισθητηριακή ή νοητική ικανότητα ή άτομα που δεν έχουν εμπειρία ή γνώση του εξοπλισμού, εάν αυτό γίνεται υπό την επίβλεψη υπεύθυνου προσώπου για την ασφάλειά τους ή έχουν λάβει πληροφορίες για την ασφαλή χρήση της συσκευής και γνωρίζουν τους κινδύνους από τη χρήση της. Τα παιδιά δεν πρέπει να παίζουν με τον εξοπλισμό. Ο καθαρισμός και η συντήρηση της συσκευής δεν πρέπει να εκτελούνται από παιδιά, εκτός αν είναι άνω των 8 ετών και οι δραστηριότητες αυτές εκτελούνται υπό επίβλεψη.
6. Πάντοτε αποσυνδέετε το φις από την πρίζα κρατώντας την υποδοχή με το χέρι σας μετά τη χρήση. ΜΗΝ τραβάτε το καλώδιο τροφοδοσίας.
7. Μη βυθίζετε το καλώδιο, το βύσμα και ολόκληρη τη συσκευή σε νερό ή άλλο υγρό. Μην εκθέτετε τη συσκευή σε ατμοσφαιρικές συνθήκες (βροχή, ήλιο, κ.λπ.) ή σε συνθήκες υψηλής υγρασίας (μπάνια, υγροί κινητοί οικισμοί).
8. Ελέγχετε περιοδικά την κατάσταση του καλωδίου τροφοδοσίας. Εάν το καλώδιο τροφοδοσίας είναι κατεστραμμένο, πρέπει να αντικατασταθεί από ειδικό κατάστημα επισκευής για να αποφευχθεί ο κίνδυνος.
9. Μην χρησιμοποιείτε τη συσκευή με φθαρμένο καλώδιο τροφοδοσίας ή εάν έχει πέσει ή έχει υποστεί ζημιά με οποιονδήποτε άλλο τρόπο ή εάν δεν λειτουργεί σωστά. Μην επισκευάζετε τη συσκευή σας μόνοι σας, καθώς υπάρχει κίνδυνος ηλεκτροπληξίας. Πάρτε την κατεστραμμένη συσκευή σε κατάλληλο κέντρο σέρβις για έλεγχο ή επισκευή. Όλες οι επισκευές πρέπει να εκτελούνται μόνο από εξουσιοδοτημένα σημεία εξυπηρέτησης. Οι εσφαλμένες επισκευές μπορούν να προκαλέσουν σοβαρό κίνδυνο για τον χρήστη.
10. Τοποθετήστε τη συσκευή σε δροσερή, σταθερή επιφάνεια, μακριά από θερμές συσκευές κουζίνας όπως: ηλεκτρική κουζίνα, καυστήρα αερίου κλπ.
11. Βεβαιωθείτε ότι τίποτα δεν εμποδίζει την είσοδο και την έξοδο αέρα της συσκευής
12. Χρησιμοποιείτε τη συσκευή μόνο σε επίπεδη επιφάνεια για να αποφύγετε τη διαρροή της συμπύκνωσης
13. Για την παροχή πρόσθετης προστασίας, συνιστάται η τοποθέτηση συσκευής υπολειπόμενου ρεύματος (RCD) στο ηλεκτρικό κύκλωμα με ονομαστικό υπολειπόμενο ρεύμα που δεν υπερβαίνει τα 30mA. Ρωτήστε έναν ηλεκτρολόγο για αυτό.
14. Καθαρίζετε τακτικά το φίλτρο αέρα. Η συχνότητα καθαρισμού εξαρτάται από την καθαριότητα του αέρα.
15. Αφού απενεργοποιήσετε τη συσκευή, περιμένετε τουλάχιστον 5 λεπτά πριν ενεργοποιήσετε ξανά.
16. Μην χρησιμοποιείτε τη συσκευή σε ηλιόλουστες περιοχές. Όταν η συσκευή υπερθερμανθεί, η προστασία υπερθέρμανσης θα ενεργοποιήσει τη συσκευή.
17. Για να εξασφαλιστεί αποτελεσματική ψύξη, πρέπει να διατηρείται απόσταση τουλάχιστον 50 cm μεταξύ των πλευρικών τοιχωμάτων της συσκευής και του τοίχου ή των επίπλων ή κουρτινών.



18. Λόγω της περιορισμένης απόδοσης της συσκευής, εάν η διαφορά μεταξύ της θερμοκρασίας στόχου και της θερμοκρασίας περιβάλλοντος είναι πολύ μεγάλη, η θερμοκρασία στόχος ενδέχεται να μην είναι εφικτή.

19. Για να μειώσετε τον κίνδυνο πυρκαγιάς, ηλεκτροπληξίας ή τραυματισμού κατά τη χρήση του κλιματιστικού, ακολουθήστε τις ακόλουθες βασικές προφυλάξεις:

α) Συνδέστε σε μια γειωμένη πρίζα με 3 ακίδες.

β) Μην αφαιρείτε το πέλμα γείωσης.

γ) Μην χρησιμοποιείτε τον προσαρμογέα.

δ) Μην χρησιμοποιείτε καλώδιο προέκτασης.

ε) Αποσυνδέστε το κλιματιστικό πριν από τη συντήρηση.

στ) Χρησιμοποιήστε δύο ή περισσότερα άτομα για να μετακινήσετε και να εγκαταστήσετε το κλιματιστικό.

20. Μη χρησιμοποιείτε παράγοντες που επιταχύνουν τη διαδικασία απόψυξης ή καθαρισμού εκτός από εκείνες που συνιστώνται από τον κατασκευαστή.

21. Η συσκευή πρέπει να αποθηκεύεται σε ένα δωμάτιο χωρίς συνεχή λειτουργία ανάφλεξης, για παράδειγμα: ανοικτή φωτιά, συσκευές αερίου ή ηλεκτρικοί θερμαντήρες.

Περιγραφή συσκευής - Εικόνα Α

1. Πίνακας ελέγχου

3. Τηλεχειριστήριο (εικόνα Ε)

5. Εισαγωγή εξατμιστή με φίλτρο EVA

7. Τρύπα αποστράγγισης ανώτερου ψυγείου

9. Υποδοχή εξάτμισης παραθύρου

2. Έξοδος ψυχρού αέρα

4. Λαβή μεταφοράς

6. Σωλήνας εξαγωγής αέρα

8. Τρύπα αποστράγγισης κάτω ψυγείου

10. Συνδετήρας αγωγού εξαγωγής αέρα

Περιγραφή πίνακα ελέγχου - Εικόνα Δ

A. Κουμπί λειτουργίας

C. Κουμπί Χρονοδιακόπτη / Θερμοκρασία Down

E. Κουμπιά μοντέλου ύπνου (D & F πατημένα μαζί στη λειτουργία ψύξης)

G. Κουμπί χρονοδιακόπτη H.

I. Υποδοχή σήματος για τηλεχειριστήριο

K. Λυχνία ελέγχου ξηρής λειτουργίας

M. Πλήρης λυχνία ελέγχου νερού

O. Η λυχνία ελέγχου ενεργοποίησης / απενεργοποίησης

Q. Λυχνία ελέγχου θερμοκρασίας

B. Κουμπί λειτουργίας

D. Κουμπί Χρονοδιακόπτη / Θερμοκρασία

F. Κουμπί ταχύτητας ανεμιστήρα

H θθόνη LED

J. Λυχνία ελέγχου λειτουργίας ψύξης

L. Λυχνία ελέγχου λειτουργίας ανεμιστήρα

N. Λυχνία ελέγχου λειτουργίας κατάστασης νάρκης

P. Φωτισμός ελέγχου ώρας

Τηλεχειριστήριο - Εικόνα Ε

A. Κουμπί λειτουργίας

C. Κουμπί Χρονοδιακόπτη / Θερμοκρασία Down

E. Μοντέλο ύπνου

G. Κουμπί χρονοδιακόπτη

B. Κουμπί λειτουργίας

D. Κουμπί Χρονοδιακόπτη / Θερμοκρασία

F. Κουμπί ταχύτητας ανεμιστήρα

Λειτουργία του πίνακα ελέγχου - εικόνα Δ

Πατήστε το κουμπί "A" για να ενεργοποιήσετε και να απενεργοποιήσετε τη μηχανή, ο βομβητής θα αναπαράγει ένα σήμα μία φορά. Η λυχνία ελέγχου "O" θα ενεργοποιήσει τον πίνακα ελέγχου.

Πιέστε το πλήκτρο "B" για να αλλάξετε τη λειτουργία, μεταξύ της λειτουργίας ψύξης → της λειτουργίας ανεμιστήρα → της λειτουργίας αφύγρανσης.

Πατήστε το πλήκτρο "D / C" πάνω / κάτω για να αλλάξετε τη θερμοκρασία ρύθμισης ή το χρόνο ρύθμισης, λειτουργήστε ως εξής:

- Κατά τη ρύθμιση της θερμοκρασίας, πατήστε το κουμπί με το επάνω ή το κάτω κουμπί για να επιλέξετε την απαιτούμενη θερμοκρασία (δεν διατίθεται στον ανεμιστήρα ή στον τρόπο αφυγραντικής λειτουργίας).

- Κατά τη ρύθμιση του χρόνου, πατήστε το κουμπί επάνω ή κάτω για να επιλέξετε τον απαιτούμενο χρόνο.

Πατήστε το κουμπί "F" για να επιλέξετε την ταχύτητα του ανεμιστήρα:

- Στη λειτουργία ψύξης και ανεμιστήρα, πατήστε το πλήκτρο "F" για να επιλέξετε υψηλή ή χαμηλή λειτουργία ταχύτητας ανέμου. Σε πολύ κρύες συνθήκες, μπορεί να μην λειτουργεί σύμφωνα με την καθορισμένη ταχύτητα ανέμου.
- Στη λειτουργία αφύγρανσης, πατώντας το πλήκτρο "F" είναι άκυρη και ο ανεμιστήρας θα επιλέξει βίαια χαμηλή λειτουργία ταχύτητας ανέμου.

Πατήστε το πλήκτρο "E" για να επιλέξετε την κατάσταση αναστολής λειτουργίας:

- Στη λειτουργία ψύξης, πατήστε και τα δύο πλήκτρα "F" και "D" για να ενεργοποιήσετε τη λειτουργία ύπνου, τότε η μονάδα θα λειτουργήσει σε εξοικονόμηση ενέργειας και αθόρυβη λειτουργία. Η λυχνία ελέγχου μοντέλου ύπνου "N" θα ενεργοποιηθεί τον πίνακα ελέγχου.

Πατήστε το κουμπί "G" για να επιλέξετε την περίοδο λειτουργίας, όταν η οθόνη LCD αναβοσβήνει, πιέστε το πλήκτρο "D" ή το κάτω πλήκτρο "C" για να επιλέξετε το απαιτούμενο χρονικό διάστημα. Η ρύθμιση του χρόνου κυμαίνεται 1-24 ώρες και μπορεί να ρυθμιστεί προς τα πάνω ή προς τα κάτω κατά μία ώρα. Το αναβοσβήσιμο θα λήξει σύντομα και η οθόνη LED θα επιστρέψει για να δείξει την αναμενόμενη θερμοκρασία περιβάλλοντος.

Λειτουργία καθυστέρησης:

- Ρύθμιση καθυστέρησης τροφοδοσίας:

Απενεργοποιήστε τη συσκευή και, στη συνέχεια, πιέστε το πλήκτρο "G", πατήστε το επάνω κουμπί "D" ή το κουμπί "C" για να επιλέξετε την επιθυμητή τιμή χρόνου. Ο μέγιστος χρόνος καθυστέρησης είναι 24 ώρες. Η συσκευή θα ενεργοποιηθεί μετά την παρέλευση του χρόνου καθυστέρησης.

- Ρύθμιση καθυστέρησης τροφοδοσίας:

Ενεργοποιήστε τη συσκευή και, στη συνέχεια, πιέστε το πλήκτρο "G", πατήστε το επάνω κουμπί "D" ή το κουμπί "C" για να επιλέξετε την επιθυμητή τιμή χρόνου. Ο χρόνος καθυστέρησης μέγιστης απενεργοποίησης είναι 24 ώρες. Η συσκευή θα απενεργοποιηθεί μετά την παρέλευση του χρόνου καθυστέρησης.

## ΛΕΙΤΟΥΡΓΙΑ ΛΕΙΤΟΥΡΓΙΑΣ - εικόνα E

Το τηλεχειριστήριο μεταδίδει σήματα στο σύστημα.

Κουμπί "A" - η συσκευή θα εκκινηθεί όταν είναι ενεργοποιημένη ή θα σταματήσει όταν είναι σε λειτουργία, αν πατήσετε αυτό το κουμπί.

Κουμπί "B" - πιέστε το για να επιλέξετε τρόπο λειτουργίας: λειτουργία ψύξης → κατάσταση ξηρής λειτουργίας → λειτουργία ανεμιστήρα.

Κουμπί "C" / "D" - Πατήστε για να ρυθμίσετε τη θερμοκρασία χώρου και το χρονοδιακόπτη.

Κουμπί "E" - πατήστε για να ρυθμίσετε ή να ακυρώσετε την κατάσταση αναστολής λειτουργίας.

Κουμπί "F" - πιέστε το για να επιλέξετε ταχύτητα ανεμιστήρα ακολουθώντας: χαμηλή / υψηλή ταχύτητα ανέμου.

Κουμπί "G" - πατήστε για να ρυθμίσετε το χρόνο λειτουργίας από 1 έως 24 ώρες.

## ΣΥΣΚΕΥΕΣ ΠΡΟΣΤΑΣΙΑΣ

1. Λειτουργία προστασίας παγετού:

Κατά τη λειτουργία ψύξης, αφύγρανσης ή εξοικονόμησης ενέργειας, εάν η θερμοκρασία του σωλήνα εξάτμισης είναι πολύ χαμηλή, το μηχάνημα θα τεθεί αυτόματα σε κατάσταση προστασίας, αν η θερμοκρασία του σωλήνα εξάτμισης ανεβαίνει σε ορισμένη θερμοκρασία, μπορεί αυτόματα να επανέλθει σε κανονική λειτουργία.

2. Λειτουργία προστασίας υπερχειλίσης "M":

Όταν το νερό στη δεξαμενή νερού υπερβεί το επίπεδο προειδοποίησης, το μηχάνημα θα προειδοποιήσει αυτόματα έναν συναγερμό και η ενδεικτική λυχνία "FULL" "M" θα αναβοσβήνει. Προς το παρόν, αποστράγγιστε το νερό σύμφωνα με τις οδηγίες αποστράγγισης. Αφού αδειάσει το νερό, το μηχάνημα θα επιστρέψει αυτόματα στην αρχική κατάσταση.

3. Λειτουργία προστασίας του συμπιεστή

Για να αυξηθεί η διάρκεια ζωής του συμπιεστή, έχει ενεργοποιηθεί η λειτουργία προστασίας κατά την εκκίνηση 3 λεπτών μετά την απενεργοποίηση του συμπιεστή.

## ΟΔΗΓΙΕΣ ΔΙΑΤΡΟΦΗΣ:

Αυτό το μηχάνημα διαθέτει δύο μεθόδους αποστράγγισης: χειροκίνητη αποστράγγιση και συνεχή αποστράγγιση.

1. Χειροκίνητη αποστράγγιση - εικόνα F1.

Όταν η συσκευή σταματήσει μετά την πλήρωση του νερού, βλέπετε στον πίνακα ελέγχου η λυχνία ελέγχου "M" αναβοσβήνει.

Απενεργοποιήστε τη συσκευή και αποσυνδέστε το φις από την πρίζα. Μετακινήστε προσεκτικά το μηχάνημα, ώστε να μην χυθεί το νερό στο δοχείο νερού στο κάτω μέρος του σώματος. Τοποθετήστε το δοχείο νερού κάτω από την έξοδο νερού πίσω από το περίβλημα.

Ξεβιδώστε την κάτω οπή αποστράγγισης του ψυγείου (8) και αποσυνδέστε το βύσμα νερού, το νερό θα εισρεύσει αυτόματα στο δοχείο νερού. Κρατήστε το καπάκι αποστράγγισης και το βύσμα νερού σωστά. Κατά την αποστράγγιση, το σώμα μπορεί να γέρνει ελαφρώς προς τα πίσω. Εάν το δοχείο νερού δεν μπορεί να συγκρατήσει όλο το νερό, πριν γεμίσει το δοχείο νερού, γεμίστε την έξοδο νερού με το βύσμα νερού το συντομότερο δυνατόν, για να αποφύγετε να ρέει νερό στο πάτωμα ή στο τάπητα. Όταν το νερό εκφορτώνεται, γεμίστε το βύσμα νερού και σφίξτε το κάλυμμα αποστράγγισης.

2. Συνεχής αποστράγγιση - επιλογή που ισχύει μόνο για τη λειτουργία αφύγρανσης ΜΟΝΟ - που εμφανίζεται στην εικόνα F2.

Ξεβιδώστε το κάλυμμα αποστράγγισης και αποσυνδέστε το φις από την πρίζα. Ρυθμίστε το σωλήνα αποστράγγισης (δεν περιλαμβάνεται στο kit) στην έξοδο νερού. Συνδέστε το σωλήνα αποστράγγισης στον κάδο.

## ΚΑΘΑΡΙΣΜΟΣ & ΣΥΝΤΗΡΗΣΗ

Καθαρισμός: πριν από τον καθαρισμό και τη συντήρηση, απενεργοποιήστε το μηχάνημα και αποσυνδέστε το φως.

### α) Καθαρισμός σπιτιών

Καθαρίστε με την επιφάνεια της συσκευής με ένα υγρό μαλακό πανί. Μην χρησιμοποιείτε χημικά, όπως βενζόλιο, αλκοόλ, βενζίνη, αλλιώς η επιφάνεια της συσκευής θα πάθει ζημιά ή θα πάθει ζημιά σε ολόκληρο το μηχάνημα.

### β) Καθαρισμός φίλτρου EVA

Εάν η οθόνη του φίλτρου έχει βουλώσει με σκόνη και η αποτελεσματικότητα της συσκευής είναι μειωμένη, φροντίστε να καθαρίσετε την οθόνη του φίλτρου κάθε δύο εβδομάδες.

- Καθαρίστε το πλαίσιο της άνω οθόνης φίλτρου - εικόνα G.

- Ξεσφίξτε τη βίδα στο πίσω κάλυμμα και αφαιρέστε το πλέγμα φίλτρου EVA (5).

- Βάλτε το φίλτρο σε ζεστό νερό με ουδέτερο απορρυπαντικό (περίπου 40 °C / 104 °F) και στεγνώστε το στη σκιά μετά το ξέπλυμα.

## ΑΠΟΘΗΚΕΥΣΗ

1. Ξεβιδώστε το κάλυμμα αποστράγγισης, αποσυνδέστε το βύσμα νερού και αποφορτώστε το νερό από το δοχείο νερού σε άλλους περιέκτες νερού ή απλά γυρίστε το περιβλήμα για να εκκενώσετε το νερό σε άλλα δοχεία.

2. Ενεργοποιήστε τη συσκευή, ρυθμίστε την σε λειτουργία ανεμιστήρα χαμηλής ταχύτητας και διατηρήστε αυτήν την κατάσταση έως ότου ο σωλήνας αποστράγγισης (δεν περιλαμβάνεται στο kit) στεγνώσει, ώστε να κρατήσει το εσωτερικό του περιβλήματος σε στεγνή κατάσταση και να αποτρέψει το να μαλακώσει .

3. Απενεργοποιήστε τη συσκευή, αφαιρέστε το φως από την πρίζα, τοποθετήστε το βύσμα και το κάλυμμα αποστράγγισης.

4. Αφαιρέστε τα στοιχεία του σωλήνα εξαγωγής αέρα.

5. Καλύψτε τον κλιματισμό με μια πλαστική σακούλα. Βάλτε το κλιματιστικό σε στεγνό μέρος, κρατήστε το μακριά από παιδιά και πάρτε τα μέτρα ελέγχου της σκόνης.

6. Αφαιρέστε τις μπαταρίες του τηλεχειριστήριου και κρατήστε τις σωστά.

## ΑΝΤΙΜΕΤΩΠΙΣΗ ΠΡΟΒΛΗΜΑΤΩΝ

Μην επισκευάζετε τη συσκευή μόνοι σας. Η εξειδικευμένη επισκευή θα ακυρώσει την εγγύηση.

Πρόβλημα I : Ο κλιματισμός δεν λειτουργεί.

Λόγος 1: Δεν υπάρχει ηλεκτρική ενέργεια. Γι 'αυτό, ενεργοποιήστε την μετά τη σύνδεσή της με μια ηλεκτρική πρίζα.

Λόγος 2: Η ένδειξη υπερχειλίσσης εμφανίζει το μήνυμα "FL". Έτσι, απορρίψτε το νερό.

Λόγος 3: Η θερμοκρασία περιβάλλοντος είναι πολύ χαμηλή ή πολύ υψηλή. Συνιστούμε λοιπόν να χρησιμοποιήσετε τη συσκευή σε θερμοκρασία 7-35 °C (44-95 °F).

Λόγος 4: Στη λειτουργία ψύξης, η θερμοκρασία χώρου είναι χαμηλότερη από την καθορισμένη θερμοκρασία. Έτσι, αλλάξτε τη ρυθμισμένη θερμοκρασία.

Λόγος 5: Σε ξηρή λειτουργία, η θερμοκρασία περιβάλλοντος είναι πολύ χαμηλή. Έτσι, η συσκευή θα πρέπει να τοποθετείται σε ένα δωμάτιο με θερμοκρασία περιβάλλοντος μεγαλύτερη από 17 °C (62 °F).

Πρόβλημα II : Το αποτέλεσμα ψύξης δεν είναι καλό.

Λόγος 1: Υπάρχει άμεση ηλιακή ακτινοβολία. Έτσι, τραβήξτε την κουρτίνα.

Λόγος 2: Οι πόρτες ή τα παράθυρα είναι ανοιχτά, υπάρχουν πολλοί άνθρωποι; ή σε λειτουργία ψύξης, υπάρχουν και άλλες πηγές θερμότητας. Έτσι, κλείστε τις πόρτες και τα παράθυρα και προσθέστε νέο κλιματιστικό.

Λόγος 3: Το φίλτρο EVA είναι βρώμικο. Έτσι, καθαρίστε το.

Λόγος 4: Η είσοδος ή η έξοδος αέρα εμποδίζεται. Έτσι, σαφή εμπόδια.

Πρόβλημα III : Μεγάλος θόρυβος

Αιτία: Η συσκευή δεν είναι τοποθετημένη σε επίπεδη επιφάνεια. Έτσι, βάλτε τη συσκευή σε ένα επίπεδο και σκληρό μέρος για να μειώσετε το θόρυβο.

Πρόβλημα IV : Ο συμπιεστής δεν λειτουργεί.

Αιτία: Η προστασία υπερθέρμανσης ξεκινά. Επομένως, περιμένετε 3 λεπτά μέχρι να μειωθεί η θερμοκρασία και στη συνέχεια επανεκκινήστε το μηχάνημα.

Πρόβλημα V: Το τηλεχειριστήριο δεν λειτουργεί.

Λόγος 1: Η απόσταση μεταξύ του μηχανήματος και του τηλεχειριστήριου είναι πολύ μεγάλη. Έτσι, αφήστε το τηλεχειριστήριο να πλησιάσει τη συσκευή και βεβαιωθείτε ότι το τηλεχειριστήριο βρίσκεται απέναντι στον δέκτη σήματος (I) στον πίνακα ελέγχου.

Λόγος 2: Το τηλεχειριστήριο δεν ευθυγραμμίζεται με την κατεύθυνση του δέκτη του τηλεχειριστήριου. Έτσι, κάντε τα παραπάνω.

Λόγος 3: Οι μπαταρίες εξαντλούνται. Έτσι, αντικαταστήστε τις μπαταρίες.

Πρόβλημα VI: Εμφανίζει το 'E1'.

Αιτία: Ο αισθητήρας θερμοκρασίας σωλήνα είναι ανώμαλος. Συνεπώς, επικοινωνήστε με έναν εξουσιοδοτημένο φορέα παροχής υπηρεσιών.

Πρόβλημα VII: Εμφανίζει το μήνυμα "E2"

Αιτία: Ο αισθητήρας θερμοκρασίας χώρου είναι ανώμαλος. Συνεπώς, επικοινωνήστε με έναν εξουσιοδοτημένο φορέα παροχής υπηρεσιών.

Σημείωση: Αν προκύψουν προβλήματα που δεν αναφέρονται στον πίνακα ή οι προτεινόμενες λύσεις δεν λειτουργούν, επικοινωνήστε με έναν εξουσιοδοτημένο φορέα παροχής υπηρεσιών.

## ΤΕΧΝΙΚΑ ΔΕΔΟΜΕΝΑ:

Χωρητικότητα ψύξης σε BTU: 7000 BTU / ώρα

Ικανότητα ψύξης σε watt: 2060W

Κατανάλωση ενέργειας (ψύξη) W: 792 W

Επίπεδο θορύβου: <= 65dB

Ροή αέρα: 300 m<sup>3</sup> / h

Ενεργειακή κλάση: A

Χρονοδιακόπτης: 24 ώρες

R290 βάρος ψυκτικού: μέγιστο 130 γραμμάρια



Προσοχή, κίνδυνος πυρκαγιάς.

MHN τρυπάτε ή καίτε.

Λάβετε υπόψη ότι το ψυκτικό μπορεί να μην περιέχει οσμή.



We geven om het milieu. We vragen u om de kartonnen verpakkingen te storten bij het oud papier. Polyethyleen zakken (PE) storten in de container voor plastic. Versleten apparatuur afgeven bij het juiste verzamelpunt, als in het apparaat gevaarlijke elementen zitten kan dat een bedreiging zijn voor het milieu. Elektrisch apparaat moet worden geretourneerd om het hergebruik te verminderen. Als in het apparaat batterijen zitten, horen die verwijderd te worden en apart af te worden gegeven bij het juiste verzamelpunt.

## NEDERLANDS

### ALGEMENE VEILIGHEIDSVORWAARDEN

#### BELANGRIJKE VEILIGHEIDSinSTRUCTIES LEES AANDACHTIG EN BEWAAR VOOR TOEKOMST

1. Lees voordat u het apparaat gebruikt de handleiding en volg de instructies die erin staan. De fabrikant is niet aansprakelijk voor schade veroorzaakt door het gebruik van het apparaat in strijd met het beoogde doel of onjuist gebruik.
2. Het apparaat is alleen voor thuisgebruik. Niet gebruiken voor andere doeleinden die niet voor het beoogde doel zijn.
3. Het apparaat mag alleen worden aangesloten op een stopcontact met een geaarde 220 240V ~ 50Hz. Om de operationele veiligheid te vergroten, mogen meerdere elektrische apparaten niet tegelijkertijd op één stroomcircuit worden aangesloten.
4. Wees uiterst voorzichtig wanneer u het apparaat gebruikt wanneer kinderen in de buurt zijn. Laat kinderen niet met het apparaat spelen, en laat kinderen of mensen die niet bekend zijn met het apparaat het gebruiken.
5. **WAARSCHUWING:** deze apparatuur kan worden gebruikt door kinderen ouder dan 8 jaar en mensen met beperkte fysieke, sensorische of mentale vaardigheden, of mensen die geen ervaring of kennis van de apparatuur hebben, als dit wordt gedaan onder toezicht van een verantwoordelijke persoon voor hun veiligheid of hebben ze informatie gekregen over het veilige gebruik van het apparaat en zijn zich bewust van de gevaren van het gebruik ervan. Kinderen mogen niet met het apparaat spelen. Reiniging en onderhoud van het apparaat mogen niet door kinderen worden uitgevoerd, tenzij ze ouder zijn dan 8 jaar en deze activiteiten worden uitgevoerd onder toezicht.
6. Trek altijd de stekker uit het stopcontact door het stopcontact na gebruik met uw hand vast te houden. Trek NIET aan het netsnoer.
7. Dompel de kabel, de stekker en het hele apparaat niet onder in water of een andere vloeistof. Stel het apparaat niet bloot aan atmosferische omstandigheden (regen, zon, enz.) Of gebruik het niet in omstandigheden met een hoge luchtvochtigheid (badkamers, vochtige stacaravans).
8. Controleer regelmatig de staat van het netsnoer. Als het netsnoer beschadigd is, moet het worden vervangen door een gespecialiseerde reparatiewerkplaats om gevaar te

voorkomen.

9. Gebruik het apparaat niet met een beschadigd netsnoer of als het is gevallen of op een andere manier is beschadigd of als het niet goed werkt. Repareer het apparaat niet zelf, want er bestaat een risico op elektrische schokken. Breng het beschadigde apparaat naar een geschikt servicecentrum voor controle of reparatie. Alle reparaties mogen alleen door geautoriseerde servicepunten worden uitgevoerd. Onjuist uitgevoerde reparaties kunnen ernstig gevaar voor de gebruiker veroorzaken.

10. Plaats het apparaat op een koele, stabiele ondergrond, uit de buurt van hete keukenapparatuur zoals: elektrisch fornuis, gasbrander, enz.

11. Zorg ervoor dat niets de luchtinlaat en -uitlaat van het apparaat blokkeert

12. Gebruik het apparaat alleen op een vlakke ondergrond om te voorkomen dat condensatie naar buiten komt

13. Voor extra bescherming is het raadzaam om een aardlekschakelaar (RCD) in het elektrisch circuit te installeren met een nominale reststroom van niet meer dan 30 mA. Vraag hierom een elektricien.

14. Reinig het luchtfilter regelmatig. De frequentie van schoonmaken hangt af van de reinheid van de lucht.

15. Wacht na het uitschakelen van de machine minstens 5 minuten voordat u hem weer inschakelt.

16. Gebruik het apparaat niet op zonnige plaatsen. Wanneer het apparaat oververhit raakt, schakelt de oververhittingsbeveiliging het apparaat in.

17. Voor een effectieve koeling moet een afstand van minimaal 50 cm worden aangehouden tussen de zijwanden van het apparaat en de muur of meubels of gordijnen.

18. Vanwege de beperkte prestaties van het apparaat wordt de doeltemperatuur mogelijk niet bereikt als het verschil tussen de doeltemperatuur en de omgevingstemperatuur te groot is.

19. Neem de volgende basisvoorzorgsmaatregelen in acht om het risico op brand, elektrische schokken of letsel bij het gebruik van de airconditioner te verminderen:

a) Sluit aan op een geaard stopcontact met 3 pinnen.

b) Verwijder de aardingspen niet.

c) Gebruik de adapter niet.

d) Gebruik geen verlengsnoer.

e) Koppel de airconditioner los voordat u onderhoud uitvoert.

f) Gebruik twee of meer mensen om de airconditioner te verplaatsen en te installeren.

20. Gebruik geen andere middelen dan het door de fabrikant aanbevolen ontdooiings- of reinigingsproces.

21. Het apparaat moet worden opgeslagen in een ruimte zonder constant werkende ontstekingsbronnen, bijvoorbeeld: open vuur, gastoestellen of elektrische kachels.

Apparaatbeschrijving - Afbeelding A

1. Bedieningspaneel

3. Afstandsbediening (afbeelding E)

5. Verdampersinlaat met EVA-filter

2. Uitlaat voor koude lucht

4. Transporthandgreep

6. Luchtuitlaatpijp

- 7. Afvoeropening bovenste koeler
- 9. Raamuitlaatadapter

- 8. Afvoeropening onderste koeler
- 10. Connector van luchtuitlaatpijp

Beschrijving van het bedieningspaneel - Afbeelding D.

- A. Aan / uit-knop
- C. Timer / temperatuur omlaag-knop
- E. Knoppen voor het slaapmodel (D & F samen ingedrukt in koelmodus)
- G. Timerknop
- I. Signaalontvanger voor afstandsbediening
- K. Controlelamp droge modus
- M. Volle watercontrolelamp
- O. De schakelaar aan / uit controlelamp
- Q. temperatuurcontrolelamp
- B. Modusknop
- D. Timer / temperatuur omhoog-knop
- F. Knop voor ventilatorsnelheid
- H. LED-scherm
- J. Koelmodus-controlelamp
- L. Controlelamp ventilatormodus
- N. Slaapmoduscontrolelamp
- P. Tijd controlelamp

Afstandsbediening - Afbeelding E

- A. Aan / uit-knop B. Modusknop
- C. Timer / temperatuur omlaag-knop D. Timer / temperatuur omhoog-knop
- E. Slaapmodel F. Knop ventilatorsnelheid
- G. Timer knop

BEDIENINGSPANEEL - afbeelding D

Druk op knop "A" om de machine in en uit te schakelen, de zoemer zal eenmaal een signaal weergeven. Het controlelampje "O" schakelt het bedieningspaneel in.

Druk op knop "B" om van modus te wisselen, tussen koelmodus → ventilatormodus → ontvochtigingsmodus.

Druk op knop "D / C" omhoog / omlaag om de instellingstemperatuur of instellingstijd te wijzigen, ga als volgt te werk:

- Druk tijdens het instellen van de temperatuur op de knop Omhoog of Omlaag om de gewenste temperatuur te selecteren (niet beschikbaar in ventilator- of ontvochtigingsmodus).
- Druk tijdens het instellen van de tijd op de knop omhoog of omlaag om de gewenste tijd te selecteren.

Druk op knop "F" om de ventilatorsnelheid te selecteren:

- Druk in de koel- en ventilatormodus op de knop "F" om een hoge of lage windsnelheid te selecteren. In te koude omstandigheden werkt het mogelijk niet volgens de ingestelde windsnelheid.
- In de ontvochtigingsmodus is het indrukken van de knop "F" ongeldig, en de ventilator kiest met kracht voor lage windsnelheid.

Druk op knop "E" om de slaapmodus te selecteren:

- Druk in de koelmodus op beide knoppen "F" en "D" om de slaapmodus in te schakelen. Het apparaat werkt dan op Energiebesparing en stil. Het slaapmodel controlelampje "N" schakelt het bedieningspaneel in.

Druk op knop "G" om de bedieningsperiode te selecteren, wanneer het LCD-scherm knippert, drukt u op knop "D" of knop "C" om het gewenste tijdsbereik te selecteren. Tijdstellingsbereik 1-24 uur en kan een uur omhoog of omlaag worden aangepast. Het knipperen stopt binnenkort en het LED-scherm keert terug om de verwachte omgevingstemperatuur weer te geven.

Uitgestelde startfunctie:

- Vertraging bij aanzetten:

Schakel het apparaat uit en druk vervolgens op de knop "G", druk vervolgens op de knop "D" of de knop "C" om de gewenste tijdswaarde te selecteren. De maximale inschakelvertragingstijd is 24 uur. Het apparaat wordt ingeschakeld nadat de vertragingstijd is verstreken.

- Uitschakelvertraging instelling:

Schakel het apparaat in en druk vervolgens op de knop "G", druk vervolgens op de knop "D" of de knop "C" om de gewenste tijdswaarde te selecteren. De maximale vertragingstijd voor uitschakelen is 24 uur. Het apparaat wordt uitgeschakeld nadat de vertragingstijd is verstreken.

## AFSTANDSBEDIENING bediening - afbeelding E

De afstandsbediening verzendt signalen naar het systeem.

Knop "A" - het apparaat wordt gestart wanneer het wordt ingeschakeld of wordt gestopt wanneer het in werking is, als u op deze knop drukt.

Knop "B" - druk erop om de werkingsmodus te selecteren: koelmodus → droge modus → ventilatormodus.

Knop "C" / "D" - indrukken om de kamertemperatuur en de timer in te stellen.

Knop "E" - indrukken om de slaapmodus in te stellen of te annuleren.

Knop "F" - druk erop om de ventilatorsnelheid in volgorde te selecteren: lage / hoge windsnelheid.

Knop "G" - indrukken om de bedrijfstijd in te stellen van 1 tot 24 uur.

## BESCHERMINGSAPPARATEN

### 1. Vorstbeschermingsfunctie:

In koel-, ontvochtigings- of economische energiebesparende modus, als de temperatuur van de uitlaatpijp te laag is, gaat de machine automatisch naar de beveiligingsstatus; als de temperatuur van de uitlaatpijp tot een bepaalde temperatuur stijgt, kan deze automatisch terugkeren naar normaal bedrijf.

### 2. Overloopbeveiliging Functie "M":

Wanneer water in de waterpan het waarschuwniveau overschrijdt, zal de machine automatisch een alarm laten klinken en het "FULL" -indicatielampje "M" zal knipperen. Tap nu het water af volgens de afvoerinstructies.

Nadat het water is geleegd, keert de machine automatisch terug naar de oorspronkelijke staat.

### 3. Beschermingsfunctie van de compressor

Om de levensduur van de compressor te verlengen, heeft deze een opstartbeschermingsfunctie van 3 minuten nadat de compressor is uitgeschakeld.

## AFVOERINSTRUCTIES:

Deze machine heeft twee afvoermethoden: handmatige afvoer en continue afvoer.

### 1. Handmatige afvoer - afbeelding F1.

Wanneer het apparaat stopt nadat het water vol is, ziet u op het bedieningspaneel het controlelampje "M" knipperen. Schakel het apparaat uit en trek de stekker uit het stopcontact. Verplaats de machine voorzichtig, zodat er geen water in de waterbak op de bodem van het lichaam wordt gemorst. Plaats het waterreservoir onder de waterafvoer achter de behuizing. Schroef het afvoerdek van de onderste koeler (8) los en trek de waterstop eruit, het water stroomt automatisch in het waterreservoir. Houd het afvoerdek en de waterstop op de juiste manier. Tijdens drainage kan het lichaam iets naar achteren worden gekanteld. Als het waterreservoir niet al het water kan bevatten voordat het waterreservoir vol is, vul dan de waterafvoer zo snel mogelijk met de waterstop om te voorkomen dat water naar de vloer of het tapijt stroomt. Wanneer het water wordt geloosd, vul dan de waterstop en draai het afvoerdek vast.

### 2. Continue afvoer - optie ALLEEN van toepassing op ontvochtigingsmodus - getoond op afbeelding F2.

Schroef het afvoerdek los en trek de waterstop eruit. Plaats de afvoerpijp (niet inbegrepen in de set) in de waterafvoer. Sluit de afvoerpijp aan op de emmer.

## REINIGING & ONDERHOUD

Reiniging: schakel vóór reiniging en onderhoud de machine uit en trek de stekker uit het stopcontact.

### a) Reiniging van de behuizing

Reinig het oppervlak van het apparaat met een natte zachte doek. Gebruik geen chemicaliën, zoals benzeen, alcohol, benzine, anders raakt het oppervlak van het apparaat beschadigd of zelfs de hele machine.

### b) Reiniging van het EVA-filter

Als het filterscherm verstopt is met stof en de effectiviteit van het apparaat is verminderd, moet u het filterscherm om de twee weken reinigen.

- Reinig het bovenste filterschermframe - afbeelding G.

- Draai één schroef in de achterklep los en verwijder het EVA-filtergas (5).

- Plaats het filter in warm water met een neutraal schoonmaakmiddel (ongeveer 40 ° C / 104 ° C) en droog het in de schaduw na het schoonspoelen.

## OPSLAG

1. Schroef het afvoerdek los, haal de waterplug uit het stopcontact en laat het water in de waterbak in andere waterbakken lopen of kantel de behuizing rechtstreeks om het water in andere containers te laten stromen.

2. Schakel het apparaat in, stel het in op de ventilatorstand met lage snelheid en houd deze status totdat de afvoerpijp (niet inbegrepen in de set) droog wordt, om de binnenkant van de behuizing in een droge toestand te houden en schimmelvorming te voorkomen.

3. Schakel het apparaat uit, haal de stekker uit het stopcontact, installeer de stekker en de aftapkap.

4. Verwijder de luchtafvoerpijpelementen.

5. Bedek de airconditioning met een plastic zak. Plaats de airconditioning op een droge plaats, houd deze buiten het bereik van kinderen en neem stofbeheersmaatregelen.

6. Verwijder de batterijen van de afstandsbediening en bewaar ze op de juiste manier.

#### PROBLEEMOPLOSSEN

Repareer het apparaat niet zelf. Gekwalificeerde reparatie maakt de garantie ongeldig.

Probleem I.: De airconditioning werkt niet.

Reden 1: Er is geen elektriciteit. Dus schakel het in nadat u het hebt aangesloten op een stopcontact met elektriciteit.

Reden 2: de overloopindicator geeft "FL" weer. Dus lozen het water.

Reden 3: de omgevingstemperatuur is te laag of te hoog. Dus, raad aan om het apparaat te gebruiken bij een temperatuur van 7-35 °C (44-95 °F).

Reden 4: In de koelmodus is de kamertemperatuur lager dan de ingestelde temperatuur. Verander dus de ingestelde temperatuur.

Reden 5: In de droge modus is de omgevingstemperatuur te laag. Het apparaat moet dus in een ruimte met een omgevingstemperatuur van meer dan 17 °C (62 °F) worden geplaatst.

Probleem II.: Het koeleffect is niet goed.

Reden 1: Er is direct zonlicht. Trek dus aan het gordijn.

Reden 2: Deuren of ramen staan open; er zijn veel mensen; of in koelmodus zijn er andere warmtebronnen. Sluit dus deuren en ramen en voeg een nieuwe airconditioner toe.

Reden 3: Het EVA-filter is vuil. Dus maak het schoon.

Reden 4: De luchtinlaat of -uitlaat is geblokkeerd. Dus, duidelijke obstakels.

Probleem III.: Big Noise

Reden: het apparaat is niet op een vlakke ondergrond geplaatst. Plaats het apparaat dus op een vlakke en harde plaats om ruis te verminderen.

Probleem IV.: Compressor werkt niet.

Reden: bescherming tegen oververhitting begint. Wacht dus 3 minuten totdat de temperatuur is verlaagd en start de machine vervolgens opnieuw.

Probleem V.: De afstandsbediening werkt niet.

Reden 1: De afstand tussen het apparaat en de afstandsbediening is te groot. Laat de afstandsbediening dicht bij het apparaat komen en zorg ervoor dat de afstandsbediening direct naar signaalreceptor (I) op het bedieningspaneel is gericht.

Reden 2: De afstandsbediening is niet uitgelijnd met de richting van de ontvanger van de afstandsbediening. Dus, doe zoals hierboven.

Reden 3: Batterijen zijn leeg. Vervang dus de batterijen.

Probleem VI.: Geeft 'E1' weer.

Reden: de pijptemperatuursensor is abnormaal. Neem daarom contact op met een erkende serviceorganisatie.

Probleem VII.: Geeft 'E2' weer

Reden: de kamertemperatuursensor is abnormaal. Neem daarom contact op met een erkende serviceorganisatie.

Opmerking: Neem contact op met een erkende serviceorganisatie als er problemen optreden die niet in de tabel worden vermeld of aanbevolen oplossingen niet werken.

#### TECHNISCHE DATA:

Koelcapaciteit bij BTU: 7000 BTU / uur

Koelvermogen in watt: 2060W

Energieverbruik (koeling) W: 792 W

Geluidsniveau: <= 65dB

Luchtstroom: 300 m<sup>3</sup> / h

Energieklasse: A

Timer: 24 uur

Koelmiddelgewicht R290: maximaal 130 gram



Let op, brandgevaar.

NIET doorboren of verbranden.

Houd er rekening mee dat het koelmiddel mogelijk geen geur bevat.



We geven om het milieu. We vragen u om de kartonnen verpakkingen te storten bij het oud papier. Polyethyleen zakken (PE) storten in de container voor plastic. Versleten apparatuur afgeven bij het juiste verzamelpunt, als in het apparaat gevaarlijke elementen zitten kan dat een bedreiging zijn voor het milieu. Elektrisch apparaat moet worden geretourneerd om het hergebruik te verminderen. Als in het apparaat batterijen zitten, horen die verwijderd te worden en apparaat te worden gegeven bij het juiste verzamelpunt.

СРПСКИ

ОПШТИ УСЛОВИ СИГУРНОСТИ

ВАЖНЕ БЕЗБЕДНОСНЕ УПУТЕ ПРОЧИТАЈТЕ УПОЗОРЕЊЕ И УШТЕДИТЕ БУДУЋНОСТ

1. Пре употребе уређаја, прочитајте упутство за употребу и следите упутства која се налазе у њему. Произвођач није одговоран за штету насталу употребом уређаја супротно његовој предвиђеној намени или неправилном раду.
2. Уређај је намењен само за кућну употребу. Не употребљавајте у друге сврхе које



нису предвиђене.

3. Уређај треба да буде повезан на наизменичну струју са уземљеним 220 240В ~ 50Хз. Да би се повећала оперативна сигурност, више електричних уређаја не би требало истовремено да буде повезано на један струјни круг.

4. Будите изузетно опрезни када користите уређај када су деца у близини. Не дозволите деци да се играју са уређајем, не дозволите деци или особама које нису упознате са уређајем да га користе.

5. УПОЗОРЕЊЕ: Ову опрему могу користити деца старија од 8 година и особе ограничене физичке, сензорне или менталне способности, или људи који немају искуства или знање о опреми, ако се то ради под надзором одговорне особе ради њихове сигурности или су им одобрени подаци о сигурној употреби уређаја и свесни су опасности употребе уређаја. Деца се не смеју играти са опремом. Чишћење и одржавање уређаја не би требало да раде деца, осим ако су старија од 8 година и ове активности се изводе под надзором.

6. Увек искључите утикач држећи утичицу руком након употребе. НЕ повлачите кабл за напајање.

7. Не урањајте кабл, утикач и цео уређај у воду или било коју другу течност. Не излажите уређај атмосферским условима (киша, сунце итд.) И не користите у условима високе влажности (купатила, влажне мобилне кућице).

8. Повремено проверите стање кабла за напајање. Ако је кабл за напајање оштећен, замените га у специјалном сервису да бисте избегли опасност.

9. Не користите уређај са оштећеним каблом за напајање или ако је пао или оштећен на било који други начин или ако не ради исправно. Не поправљајте уређај сами јер постоји опасност од електричног удара. Оштећени уређај однесите у одговарајући сервисни центар ради провере или поправке. Све поправке смеју обављати само овлашћени сервиси. Неправилно извршени поправци могу озбиљно опасити за корисника.

10. Уређај поставите на хладну и стабилну површину, даље од врућих кухињских уређаја као што су: електрични шпорет, плински горионик итд.

11. Пазите да ништа не блокира довод и излаз ваздуха уређаја

12. Користите уређај само на равnoj површини како бисте спречили да се кондензат пролије

13. Да бисте обезбедили додатну заштиту, препоручљиво је да у електрични круг инсталирате уређај за заосталу струју (РЦД) са називно заосталом струјом која не прелази 30мА. Питајте за то електричара.

14. Редовно чистите ваздушни филтер. Учесталост чишћења зависи од чистоће ваздуха.

15. Након што искључите машину, сачекајте најмање 5 минута пре него што је поново укључите.

16. Не користите уређај на сунчаним местима. Када се уређај прегреје, укључиће се заштита од прегревања.

17. Да би се осигурало ефикасно хлађење, између бочних зидова уређаја и зида или намештаја или завеса треба да се задржи најмање 60 цм.
18. Због ограничених перформанси уређаја, ако је разлика између циљне температуре и температуре околине превелика, циљна температура можда неће бити достигнута.
19. Да бисте смањили ризик од пожара, струјног удара или повреда приликом коришћења клима уређаја, придржавајте се следећих основних мера предострожности:
  - а) Спојите на уземљену утичницу са 3 пина.
  - б) Не уклањајте уземљење.
  - ц) Не користите адаптер.
  - д) Не користите продужни кабел.
  - е) Искључите клима уређај прије сервисирања.
  - ф) Користите две или више особа за померање и инсталирање клима уређаја.
20. Не користите средства која убрзавају процес одмрзавања или чишћења другачија од оних које препоручује произвођач.
21. Уређај треба складиштити у просторији без стално делујућих извора паљења, на пример: отворена ватра, гасни уређаји или електрични грејачи.

Опис уређаја - Слика А

- |                                    |                                      |
|------------------------------------|--------------------------------------|
| 1. Управљачка плоча                | 2. Одвод хладног ваздуха             |
| 3. Даљински управљач (слика Е)     | 4. Транспортна ручица                |
| 5. Улаз испаривача са ЕВА филтером | 6. Издувна цев за ваздух             |
| 7. Горњи отвор за одвод хладњака   | 8. Отвор за одвод хладњака доле      |
| 9. Прозорски издувни адаптер       | 10. Прикључак издувне цеви за ваздух |

Опис контролне табле - Слика Д

- |   |  |
|---|--|
| А. Тастер за напајање   | Б. Дугме за режим                            |
| Ц. Тастер за искључивање тајмера / температуре                      | Д. Дугме за подешавање времена / температуре |
| Е. Дугме модела спавања (D & F притиснути заједно у режиму хлађења) | Ф. Дугме за брзину вентилатора               |
| Г. Дугме тајмера  | Х. ЛЕД екран                                 |
| И. Сигнални рецептор за даљинско управљање                          | Ј. Контролна лампица хладног начина рада     |
| К. Контролна лампица на сувом режиму                                | Л. Контролна лампица режима вентилатора      |
| М. Потпуна контролна лампица воде                                   | Н. Контролна лампица режима мировања         |
| О. Контролна лампица за укључивање / искључивање                    | П. Контролна лампица времена                 |
| К. лампица за контролу температуре                                  |  |

Даљински управљач - Слика Е

- |  |  |
|--|--|
| А. Тастер за напајање                          | Б. Дугме за режим                            |
| Ц. Тастер за искључивање тајмера / температуре | Д. Дугме за подешавање времена / температуре |
| Е. Слееп модел                                 | Ф. Дугме за брзину вентилатора               |
| Г. Дугме тајмера                               |  |

Управљање ПАНЕЛ-ом - слика Д

Притисните тастер „А“ да бисте укључили и искључили машину, звучни сигнал ће једном репродуковати сигнал. Контролна лампица "О" упалиће се на управљачкој плочи.

Притисните тастер „Б“ да бисте пребацили режим између режима хлађења → режим вентилатора → режим одvlaживања.

Притисните тастер „Д / Ц“ горе / доле да промените температуру подешавања или време подешавања, радите на следећи начин:  
 - Док подешавате температуру, притисните дугме горе или доле да бисте изабрали жељену температуру (није доступно у режиму вентилатора или одvlaживања).

- Током подешавања времена, притисните тастер за на доле или дугме за доле да бисте изабрали тражено време.

Притисните дугме „Ф“ да бисте изабрали брзину вентилатора:

- У режиму хлађења и вентилатора, притисните дугме „Ф“ да бисте изабрали рад са високом или ниском брзином ветра. У сувише

хладним условима се можда неће одвијати у складу са постављеном брзином ветра.

- У режиму одвлаживања влаге, притисак на дугме "Ф" је неважећи и вентилатор ће силом изабрати рад са ниском брзином ветра.

Притисните дугме „Е“ да бисте изабрали режим спавања:

- У режиму хлађења притисните оба тастера „Ф“ и „Д“ да бисте укључили режим мировања, а затим ће уређај радити на енергетски штедљив и тихи тип. Контролна лампица „Н“ стања мировања ће се укључити на контролној табли.

Притисните дугме „Г“ да бисте одабрали радни период, када ЛЦД екран трепери, притисните дугме „Д“ или тастер за доле „Ц“ да бисте изабрали жељени временски распон. Време подешавања времена 1-24 сата и може се подесити горе или доле за један сат. Треперење ће брзо престати и ЛЕД екран ће се вратити како би приказао очекивану температуру околине.

Функција одлагања покретања:

- подешавање одлагања укључивања:

Искључите уређај, а затим притисните дугме „Г“, затим притисните дугме „Д“ или тастер за доле „Ц“ да бисте изабрали потребну вредност времена. Максимална снага на кашњењу је 24 сата. Уређај ће се укључити након истека времена кашњења.

- подешавање кашњења искључивања:

Укључите уређај, а затим притисните дугме „Г“, затим притисните дугме „Д“ или тастер за доле „Ц“ да бисте изабрали потребну вредност времена. Максимално време кашњења искључивања је 24 сата. Уређај ће се искључити након истека времена одлагања.

Операција ДАЉИНСКОГ УПРАВЉАЧА - слика Е

Даљински регулатор шаље сигнале систему.

Дугме "А" - апарат ће се покренути када је под напоном или ће се зауставити током рада, ако притиснете ово дугме.

Дугме "Б" - притисните да бисте изабрали режим рада: хладни режим → суви режим → режим вентилатора.

Дугме "Ц" / "Д" - притисните да подесите температуру у соби и тајмер.

Тастер „Е“ - притисните да бисте подесили или отказали режим спавања.

Дугме "Ф" - притисните да бисте одабрали брзину вентилатора у редоследу: ниска / велика брзина ветра.

Тастер „Г“ - притисните да подесите време рада од 1 до 24 сата.

## УРЕЂАЈИ ЗА ЗАШТИТУ

1. Функција заштите од смрзавања:

У режиму хлађења, одвлаживања или уштеде енергије, ако је температура издувне цеви прениска, машина ће аутоматски ући у заштитни статус; ако температура издувне цеви порасте на одређену температуру, може се аутоматски вратити у нормалан рад.

2. Функција заштите од прелијевања „М“:

Када вода у посуди за воду пређе ниво упозорења, машина ће аутоматски огласити аларм, а лампица „ФУЛЛ“ ће трептати „М“. У овом тренутку испустите воду према упутствима за дренажу. Након што се вода испразни, машина ће се аутоматски вратити у првобитно стање.

3. Функција заштите компресора

Да бисте повећали радни век компресора, он има функцију заштите од покретања од 3 минуте одлагања након искључивања компресора.

## ИНСТРУКЦИЈЕ ОДРЖАВАЊА:

Ова машина има две методе дренаже: ручну и континуирану дренажу.

1. Ручна дренажа - слика Ф1.

Кад се уређај заустави након што се вода напуни, на контролној табли видите да трепери контролна лампица „М“. Искључите напајање уређаја и ископчајте утикач из напајања. Пажљиво померајте машину како не бисте пролили воду у посуду за воду на дну тела. Поставите посуду за воду испод излаза за воду иза кућишта. Одвијте отвор за одвод доле хладњака (8) и одвојите утикач из воде, вода ће аутоматски тећи у посуду за воду. Држите поклопац за одвод и водни утикач правилно. Током дренаже, тело се може нагињати мало уназад. Ако spremник за воду не може да задржи сву воду, пре него што је spremник за воду напуњен, што је брже могуће напуните утичницу водом да се спречи доток воде на под или у тепих. Кад се вода испразни, напуните чеп за воду и затегните поклопац за одвод.

2. Континуирана одводњавање - опција применљива САМО у режиму одвлаживања - приказана на слици Ф2.

Одвијте поклопац за одвод и ископчајте утикач из воде. Поставите одводну цев (није у комплекту) у излаз за воду. Спојите одводну цев на канту.

## ЧИШЋЕЊЕ И ОДРЖАВАЊЕ

Чишћење: пре чишћења и одржавања, искључите машину и ископчајте утикач.

а) Чишћење кућишта

Очистите површином уређаја влажном меком крпом. Не користите хемикалије, попут бензена, алкохола, бензина, у супротном ће се површина уређаја оштетити или чак цела машина бити оштећена.

б) Чишћење ЕВА филтера

Ако је екран филтера зачепљен прашином, а ефикасност уређаја је смањена, будите сигурни да очистите филтерски екран једном у две недеље.

- Очистите горњи оквир екрана филтера - слика Г.

- Отпустите један вијак на задњем поклопцу и уклоните ЕВА мрежицу филтера (5).
- Ставите филтер у топлу воду са неутралним детерџентом (око 40 °C / 104 °F) и осушите га у хладу након што сте га испрали чистим.

## СКЛАДИШТЕ

1. Одвијте поклопац за одвод, ископчајте утикач из воде и испразните воду у посуду за воду у друге посуде за воду или директно нагните кућиште да бисте воду испустили у друге посуде.
2. Укључите уређај, подесите га на режим вентилатора мале брзине и одржавајте то стање све док се одводна цев (која није укључена у комплет) не осуши, како би унутрашњост кућишта била сува и спречила да не почне падати. .
3. Искључите уређај, извадите утикач из утичнице, инсталирајте утикач и поклопац за пражење.
4. Уклоните елементе издувне цеви за ваздух.
5. Покријте клима уређај пластичном кесом. Клима уређај ставите на суво место, држите га ван домаћаја деце и предузмите мере за контролу прашине.
6. Извадите батерије даљинског управљача и правилно их држите.

## РЕШАВАЊЕ ПРОБЛЕМА

Не поправљајте уређај сами. Квалификовани поправак укида гаранцију.

Проблем И : Клима не ради.

Разлог 1: Нема струје. Дакле, укључите га након што га прикључите у утичницу са струјом.

Разлог 2: Индикатор преливања приказује „ФЛ“. Дакле, испустите воду.

Разлог 3: Температура околине је прениска или превисока. Зато препоручите да уређај користите на температури од 7-35 °C (44-95 °F).

Разлог 4: У режиму хлађења, собна температура је нижа од постављене. Дакле, промените подешену температуру.

Разлог 5: У сувом режиму је температура околине прениска. Дакле, уређај треба поставити у просторију са собном температуром већом од 17 °C (62 °F).

Проблем ИИ : Ефекат хлађења није добар.

Разлог 1: Постоји директна сунчева светлост. Дакле, повуците завесу.

Разлог 2: Врата или прозори су отворени; има много људи; или у режиму хлађења постоје други извори топлоте. Дакле, затворите врата и прозоре и додајте нови клима уређај.

Разлог 3: ЕВА филтер је прљав. Дакле, очистите га.

Разлог 4: Улаз или излаз зрака је блокиран. Дакле, јасне препреке.

ИИИ проблем: велики шум

Разлог: Уређај није постављен на равну површину. Дакле, ставите уређај на равно и тврдо место да бисте смањили буку.

Проблем ИВ : Компресор не ради.

Разлог: Почиње заштита од прегрејавања. Дакле, сачекајте 3 минута док се температура не спусти, а затим поново покрените машину.

Проблем V. Даљински управљач не ради.

Разлог 1: Удаљеност између машине и даљинског управљача је превелика. Дакле, пустите даљински управљач да се приближи уређају и проверите да ли је даљински управљач директно окренут сигналном рецептору (И) на контролној табли.

Разлог 2: Даљински управљач није усклађен са правцем пријемника даљинског управљача. Дакле, урадите као горе.

Разлог 3: Батерије су исцрпљене. Дакле, замените батерије.

Проблем ВИ : Приказује "E1".

Разлог: Сензор температуре цеви је ненормалан. Зато се обратите овлашћеној сервисној организацији.

Проблем ВИИ : Приказује "E2"

Разлог: Сензор собне температуре је ненормалан. Зато се обратите овлашћеној сервисној организацији.

Напомена: Ако се проблеми који нису наведени у табели појаве или препоручена решења не делују, обратите се овлашћеној сервисној организацији.

## ТЕХНИЧКИ ПОДАЦИ:

Капацитет хлађења на БТУ: 7000 БТУ / сат

Капацитет хлађења у ватима: 2060В

Потрошња енергије (хлађење) В: 792 В

Ниво буке: <= 65дБ

Проток ваздуха: 300 м3 / х

Енергетски разред: А

Тајмер: 24 сата

Тежина Р290 расхладне течности: максимално 130 грама



Опрез, опасност од пожара

НЕ бушите и не палите.

Имајте на уму да расхладно средство можда не садржи мирис.



За заштиту животне средине: молимо вас да одвојите картонске кутије и пластичне кесе и одложите их у одговарајуће канте за смеће. Коришћени уређај треба да буде испоручен на наменске сакупљане тачке због оштрих компоненти, што може утицати на животну средину. Немојте одлагати овај уређај у заједничку корпу за отпатке.

## ALLMANNA SÄKERHETSIVILLKOR

## VIKTIGA SÄKERHETSINSTRUKTIONER LÄS NU OCH SPARA FÖR FRAMTID

1. Läs bruksanvisningen innan du använder enheten och följ instruktionerna i den. Tillverkaren ansvarar inte för skador orsakade av att använda enheten i strid med dess avsedda syfte eller felaktig användning.
2. Enheten är endast avsedd för hemmabruk. Använd inte för andra ändamål som inte är avsedda för det.
3. Enheten ska endast anslutas till ett vägguttag med ett jordat 220 240V ~ 50Hz. För att öka driftsäkerheten bör flera elektriska enheter inte anslutas till en strömkrets samtidigt.
4. Var försiktig när du använder enheten när barn är i närheten. Låt inte barn leka med enheten, låt inte barn eller personer som inte känner till enheten använda den.
5. **WARNING:** Denna utrustning får användas av barn över 8 år och personer med begränsad fysisk, sensorisk eller mental förmåga, eller personer som inte har erfarenhet eller kunskap om utrustningen, om detta görs under övervakning av en ansvarig person för deras säkerhet eller har fått dem information om säker användning av enheten och är medvetna om farorna med att använda den. Barn ska inte leka med utrustningen. Rengöring och underhåll av enheten bör inte utföras av barn, såvida de inte är över 8 år gamla och dessa aktiviteter utförs under övervakning.
6. Koppla alltid ur nätkontakten genom att hålla uttaget med handen efter användning. Dra inte i nätsladden.
7. Sänk inte ned kabeln, kontakten och hela enheten i vatten eller någon annan vätska. Utsätt inte enheten för atmosfäriska förhållanden (regn, sol, etc.) eller användning vid förhållanden med hög luftfuktighet (badrum, fuktiga husbilar).
8. Kontrollera regelbundet nätkabelns tillstånd. Om nätsladden är skadad bör den bytas ut av en specialistverkstad för att undvika fara.
9. Använd inte apparaten med en skadad nätsladd eller om den har tappats eller skadats på något annat sätt eller om den inte fungerar korrekt. Reparera inte enheten själv eftersom det finns risk för elektrisk stöt. Ta den skadade enheten till ett lämpligt servicecenter för kontroll eller reparation. Alla reparationer får endast utföras av auktoriserade servicepunkter. Felaktigt utförda reparationer kan orsaka allvarlig fara för användaren.
10. Placera enheten på en sval, stabil yta, borta från heta köksapparater som: elektrisk spis, gasbrännare, etc.
11. Se till att ingenting blockerar luftinloppet och utloppet på enheten
12. Använd enheten endast på en jämn yta för att förhindra att kondensen spinner ut
13. För att ge ytterligare skydd rekommenderas det att installera en restströmsenhet (RCD) i den elektriska kretsen med en nominell restström som inte överstiger 30 mA. Fråga en elektriker för detta.
14. Rengör luftfiltret regelbundet. Rengöringsfrekvensen beror på luftens renhet.
15. När du har stängt av maskinen, vänta minst 5 minuter innan du slår på den igen.
16. Använd inte enheten på soliga platser. När enheten överhettas tänds överhettningsskyddet på enheten.

17. För att säkerställa effektiv kylning bör ett avstånd på minst 50 cm hållas mellan enhetens sidoväggar och väggen eller möbler eller gardiner.
18. På grund av anordningens begränsade prestanda, om skillnaden mellan måltemperaturen och omgivningstemperaturen är för stor, kanske måltemperaturen inte uppnås.
19. Följ följande grundläggande försiktighetsåtgärder för att minska risken för brand, elektrisk stöt eller personskador vid användning av luftkonditioneringsapparaten:
  - a) Anslut till ett jordat uttag med 3 stift.
  - b) Ta inte bort jordningsspetsen.
  - c) Använd inte adaptern.
  - d) Använd inte en förlängningsladd.
  - e) Koppla bort luftkonditioneringsapparaten innan service.
  - f) Använd två eller flera personer för att flytta och installera luftkonditioneringsapparaten.
20. Använd inte andra medel som påskyndar avfrostnings- eller rengöringsprocessen än de som rekommenderas av tillverkaren.
21. Enheten ska förvaras i ett rum utan att ständigt använda antändningskällor, till exempel: öppen eld, gasapparater eller elektriska värmare.

#### Enhetsbeskrivning - Bild A

- |                                  |                                      |
|----------------------------------|--------------------------------------|
| 1. Kontrollpanel                 | 2. Utlopp för kall luft              |
| 3. Fjärrkontroll (bild E)        | 4. Transporthandtag                  |
| 5. Förångarinlopp med EVA-filter | 6. Luftutloppsrör                    |
| 7. Övre kylare avloppshål        | 8. Nedkylare avloppshål              |
| 9. Fönsteravgasadapter           | 10. Anslutning till luftutloppsröret |

#### Beskrivning av kontrollpanelen - Bild D.

- |   |                                 |
|---|---------------------------------|
| A. Strömknapp   | B. Mode-knapp                   |
| C. Timer / temperatur ned-knapp                               | D. Timer / temperatur upp-knapp |
| E. Knappar för sömnmodell (D & F tryckt tillsammans i kyläge) | F. Fläkthastighetsknapp         |
| G. Timerknapp   | H. LED-skärm                    |
| I. Signalreceptor för fjärrkontroll                           | J. Kontrolläge för svalt läge   |
| K. Kontrollampa för torrläge                                  | L. Kontrollampa för fläktläge   |
| M. Full kontrollampa för vatten                               | N. Kontrollampa för viloläge    |
| O. Kontrollampan för strömbrytare på / av                     | P. Tidsreglampa                 |
| Q. temperaturkontrollampa                                     |                                 |

#### Fjärrkontroll - Bild E

- |                                 |                                 |
|---------------------------------|---------------------------------|
| A. Strömknapp                   | B. Mode-knapp                   |
| C. Timer / temperatur ned-knapp | D. Timer / temperatur upp-knapp |
| E. Sovmodell                    | F. Fläkthastighetsknapp         |
| G. Timer-knapp                  |                                 |

#### CONTROL PANEL-drift - bild D

Tryck på knappen "A" för att slå på och stänga av maskinen, summern kommer att spela signal en gång. Kontrollampan "O" tänds på kontrollpanelen.

Tryck på knappen "B" för att växla läge, mellan kyläge → fläktläge → avfuktningläge.

Tryck på knappen "D / C" Upp / Ner för att ändra inställningstemperatur eller inställningstid, fungera enligt följande:

- När du ställer in temperatur, tryck på knappen upp eller ner för att välja önskad temperatur (finns inte i fläkt eller avfuktningläge).
- Tryck på upp- eller nedknappen när du ställer in tid för att välja önskad tid.

Tryck på knappen "F" för att välja fläkthastighet:

- I kyl- och fläktläge, tryck på knappen "F" för att välja hög eller låg vindhastighetsdrift. Under för kalla förhållanden kanske det inte går enligt den inställda vindhastigheten.

- I avfuktningläge är att trycka på knappen "F" ogiltig, och fläkten väljer med kraft vind med låg vindhastighet.

Tryck på knappen "E" för att välja viloläge:

- I kylslaget, tryck på båda knapparna "F" och "D" för att slå på viloläget, då fungerar enheten på energisparande och tyst typ. Sovmodellkontrolllampan "N" tänds på kontrollpanelen.

Tryck på knappen "G" för att välja driftsperiod, när LCD-skärmen blinkar, tryck upp-knappen "D" eller ned-knappen "C" för att välja önskat tidsintervall. Tidsinställningsområde 1-24 timme och kan justeras upp eller ner med en timme. Den blinkande slutar snart och LED-skärmen återgår för att visa den förväntade omgivningstemperaturen.

Delay start-funktion:

- Power ON-fördröjningsinställning:

Stäng av enheten och tryck sedan på knappen "G", tryck sedan upp-knappen "D" eller ned-knappen "C" för att välja önskat tidsvärde. Den maximala strömmen på fördröjningstiden är 24 timmar. Enheten slås på efter att fördröjningstiden gått.

- Fördröjningsinställning för AV:

Slå på enheten och tryck sedan på knappen "G", tryck sedan på upp-knappen "D" eller ned-knappen "C" för att välja önskat tidsvärde. Den maximala strömfördröjningstiden är 24 timmar. Enheten stängs av efter att fördröjningstiden gått.

REMOTE CONTROLLER-funktion - bild E

Fjärrkontrollen sänder signaler till systemet.

Knapp "A" - apparaten startas när den är påslagen eller stoppas när den är i drift, om du trycker på den här knappen.

Knapp "B" - tryck på den för att välja driftläge: kylslaget → torrläge → fläktläge.

Knapp "C" / "D" - tryck för att justera rumstemperaturen och timern.

Knapp "E" - tryck för att ställa in eller avbryta viloläge.

Knapp "F" - tryck på den för att välja fläkthastighet i sekvens: låg / hög vindhastighet.

Knapp "G" - tryck för att ställa in drifttiden från 1 till 24 timmar.

## SKYDDSANORDNINGAR

1. Frostskyddsfunktion:

Vid kylning, avfuktning eller ekonomiskt energisparläge, om avgasrörets temperatur är för låg, kommer maskinen automatiskt in i skyddsstatus; om avgasrörets temperatur stiger till en viss temperatur kan det automatiskt återgå till normal drift.

2. Överflödesskyddsfunktion "M":

När vatten i vattenpannan överskrider varningsnivån ljuder maskinen automatiskt ett larm och indikatorn "FULL" blinkar "M". Töm nu vattnet enligt dräneringsinstruktionerna. När vattnet har tömts återgår maskinen automatiskt till det ursprungliga tillståndet.

3. Skyddsfunktion för kompressorn

För att öka kompressorns livslängd har den en 3-minuters fördröjningsstartfunktionsskyddsfunktion efter att kompressorn har stängts av.

Dräneringsinstruktioner:

Den här maskinen har två dräneringsmetoder: manuell dränering och kontinuerlig dränering.

1. Manuell dränering - bild F1.

När enheten stannar efter att vattnet är fullt ser du på kontrollpanelen att kontrolllampan "M" blinkar. Stäng av enhetens ström och dra ur stickkontakten. Flytta maskinen försiktigt, så att du inte spill ut vattnet i vattenpannan i botten av kroppen. Placera vattenbehållaren under vattenutloppet bakom huset. Skruva loss det nedre kylaren i avloppshålet (8) och dra ur vattenpluggen, vattnet rinner automatiskt in i vattenbehållaren. Håll dräneringsskyddet

och vattenpluggen ordentligt. Under dränering kan kroppen lutas något bakåt. Om vattenbehållaren inte kan hålla i allt vatten innan vattenbehållaren är full, fyll vattenuttaget så snart som möjligt för att förhindra att vatten rinner till golvet eller mattan. När vattnet släpps ut, fyll i vattenpluggen och dra åt dräneringsskyddet.

2. Kontinuerlig dränering - alternativ som gäller endast avfuktningssläge - visas på bild F2.

Skruva loss dräneringsskyddet och dra ur vattenpluggen. Ställ in dräneringsröret (ingår inte i satsen) i vattenuttaget. Anslut dräneringsröret till skopan.

## RENGÖRING & UNDERHÅLL

Rengöring: Stäng av maskinen och dra ur stickkontakten innan rengöring och underhåll.

a) Städning av bostäder

Rengör med enhetens yta med en våt mjuk trasa. Använd inte kemikalier som bensen, alkohol, bensin, annars kommer enhetens yta att skadas eller till och med hela maskinen skadas.

b) Rengöring av EVA-filtrer

Om filterskärmen är insatt av damm och enhetens effektivitet minskas, se till att rengöra filterskärmen en gång varannan vecka.

- Rengör den övre filterskämsramen - bild G.

- Lossa en skruv i bakstycket och ta bort EVA-filtret (5).

- Sätt filtret i varmt vatten med neutralt tvättmedel (cirka 40 °C / 104 °F) och torka det i skuggan efter att du har sköljt det rena.

## LAGRING

1. Skruva loss dräneringsskyddet, dra ur vattenpluggen och tappa ut vattnet i vattenpannan i andra vattenbehållare eller vipp direkt huset för att tappa ut vattnet i andra behållare.

2. Sätt på enheten, justera den till låghastighets fläktläge och bibehålla detta tillstånd tills dräneringsröret (ingår inte i satsen) blir torrt, så att höljet på insidan hålls torrt och förhindrar att det mjölnar .

3. Stäng av enheten, ta ut kontakten från uttaget, sätt i stickkontakten och tappluckan.

4. Ta bort luftavgasrörselementen.

5. Täck luftkonditioneringen med en plastpåse. Placera luftkonditioneringen på en torr plats, förvara den utom räckhåll för barn och vidta dammkontrollåtgärder.

6. Ta bort fjärrkontrollens batterier och förvara dem ordentligt.

## FELSÖKNING

Reparera inte enheten själv. Kvalificerad reparation upphäver garantin.

Problem I .: Luftkonditioneringen fungerar inte.

Orsak 1: Det finns ingen el. Så slå på den när du har anslutit den till ett eluttag.

Orsak 2: Överflödesindikatorn visar "FL". Så släpp ut vattnet.

Skäl 3: Den omgivande temperaturen är för låg eller för hög. Så rekommendera att använda enheten i temperaturen 7-35 °C (44-95 °F).

Orsak 4: I kylsläge är rumstemperaturen lägre än den inställda temperaturen. Så ändra den inställda temperaturen.

Orsak 5: I torrsläge är omgivningstemperaturen för låg. Så enheten bör placeras i ett rum med en omgivningstemperatur högre än 17 °C (62 °F).

Problem II: Kyleffekten är inte bra.

Skäl 1: Det finns direkt solljus. Så dra gardinen.

Skäl 2: Dörrar eller fönster är öppna; det är mycket folk; eller i kylsläge finns det andra värmekällor. Så stäng dörrar och fönster och lägg till nytt luftkonditioneringsapparat.

Skäl 3: EVA-filtret är smutsigt. Så rengör det.

Orsak 4: Luftinloppet eller utloppet är blockerat. Så tydliga hinder.

Problem III .: Stort brus

Anledning: Enheten är inte placerad på en plan yta. Så placera enheten på en platt och hård plats för att minska buller.

Problem IV .: Kompressorn fungerar inte.

Anledning: Överhettningsskyddet startar. Så vänta i 3 minuter tills temperaturen har sänkts och starta sedan om maskinen.



Problem V.: Fjärrkontrollen fungerar inte.

Orsak 1: Avståndet mellan maskinen och fjärrkontrollen är för långt. Så låt fjärrkontrollen komma nära enheten och se till att fjärrkontrollen vetter direkt mot signalreceptorn (I) på kontrollpanelen.

Orsak 2: Fjärrkontrollen är inte i linje med fjärrkontrollens mottagares riktning. Så gör som ovan.

Skäl 3: Batterierna är slut. Så byt ut batterier.

Problem VI.: Visar 'E1'.

Anledning: Rörets temperatursensor är onormal. Så kontakta en auktoriserad serviceorganisation.

Problem VII.: Visar 'E2'

Orsak: Rumstemperaturgivaren är onormal. Så kontakta en auktoriserad serviceorganisation.

Obs: Om problem som inte anges i tabellen uppstår eller rekommenderade lösningar inte fungerar, kontakta en auktoriserad serviceorganisation.

#### TEKNISK DATA:

Kylkapacitet vid BTU: 7000 BTU / timme

Kylkapacitet i watt: 2060W

Energiförbrukning (kylning) W: 792 W

Bullernivå: <= 65dB

Luftflöde: 300 m<sup>3</sup> / h

Energiklass: A

Timer: 24 timmar

Kylvätske R290: max 130 gram



Varning, risk för brand.

Gör INTE igenom eller bränna.

Var medveten om att köldmediet kanske inte innehåller en lukt.



Vi sköter om miljön. Överlämna förpackningar i kartong till pappersavfall. Polyetylensäckar (PE) slängs i avfallsbehållare för plast. Man bör lämna en gammal apparat till en riktig återvinningscentral, eftersom farliga komponenter i apparaten kan orsaka fara till miljön. En elektrisk apparat bör lämnas för att minska förnyad användning av denna. Om apparaten innehåller batterier, bör man ta bort dem och lämna dem separat till återvinningscentraler.

## УКРАЇНСЬКА

### ЗАГАЛЬНІ УМОВИ БЕЗПЕКИ

## ВАЖЛИВІ ІНСТРУКЦІЇ З БЕЗКОШТОВНОСТІ ЧИТАЙТЕ ДУЖКО І ЗАБЕЗПЕЧЕННЯ ДЛЯ БУДУЩЕГО

1. Перш ніж користуватися пристроєм, прочитайте посібник з експлуатації та дотримуйтесь інструкцій, що містяться в ньому. Виробник не несе відповідальності за збитки, спричинені використанням пристрою всупереч його передбачуваному призначенню або неправильній експлуатації.
2. Пристрій призначений лише для домашнього використання. Не використовуйте для інших цілей, які не призначені за призначенням.
3. Пристрій слід підключати лише до розетки змінного струму із заземленим 220 240 В ~ 50 Гц. Для підвищення експлуатаційної безпеки кілька електричних пристроїв не повинні підключатися одночасно до одного ланцюга струму.
4. Будьте дуже обережні, коли користуєтесь пристроєм, коли діти поруч. Не дозволяйте дітям грати з пристроєм, не дозволяйте дітям або людям, незнайомим пристроєм, користуватися ним.
5. **ПОПЕРЕДЖЕННЯ:** Цим обладнанням можуть користуватися діти старше 8 років та люди з обмеженими фізичними, сенсорними або розумовими здібностями, або люди, які не мають досвіду чи знань щодо обладнання, якщо це робиться під наглядом відповідальної особи. для їх безпеки або надано їм інформацію про безпечне

- користування пристроєм та знають про небезпеку його використання. Діти не повинні грати з обладнанням. Чищення та обслуговування приладу не повинно здійснюватися дітьми, якщо вони не перевищують 8 років і ці заходи проводяться під наглядом.
6. Завжди від'єднуйте шнур живлення, тримаючи розетку рукою після використання. НЕ тягніть за шнур живлення.
  7. Не занурюйте кабель, вилку та весь пристрій у воду або будь-яку іншу рідину. Не піддавайте прилад атмосферним умовам (дощ, сонце тощо) і не використовуйте в умовах підвищеної вологості (ванні кімнати, вологі мобільні будинки).
  8. Періодично перевіряйте стан шнура живлення. Якщо шнур живлення пошкоджений, його слід замінити в спеціалізованому ремонтному центрі, щоб уникнути небезпеки.
  9. Не використовуйте прилад із пошкодженим шнуром живлення або якщо він був випав або пошкоджений будь-яким іншим способом або якщо він не працює належним чином. Не ремонтуйте пристрій самостійно, оскільки є ризик ураження електричним струмом. Віднесіть пошкоджений пристрій у відповідний сервісний центр для перевірки чи ремонту. Всі ремонти можуть проводити тільки авторизовані сервісні пункти. Неправильно виконаний ремонт може становити серйозну небезпеку для користувача.
  10. Поставте прилад на прохолодну стійку поверхню, подалі від гарячих кухонних приладів, таких як: електрична плита, газовий конфорка тощо.
  11. Переконайтесь, що ніщо не блокує вхід і вихід повітря в пристрій
  12. Використовуйте пристрій лише на рівній поверхні, щоб запобігти розливу конденсату
  13. Для забезпечення додаткового захисту доцільно встановити в електричному ланцюзі пристрій залишкового струму (RCD) з номінальним залишковим струмом, що не перевищує 30 мА. Запитайте про це електрика.
  14. Регулярно чистіть повітряний фільтр. Частота очищення залежить від чистоти повітря.
  15. Після вимкнення машини зачекайте принаймні 5 хвилин, перш ніж увімкнути її.
  16. Не використовуйте прилад у сонячних місцях. Коли пристрій перегріється, захист від перегріву увімкнеться.
  17. Для забезпечення ефективного охолодження слід зберігати відстань не менше 60 см між бічними стінками пристрою та стіною або меблями чи шторами.
  18. Через обмежені показники роботи пристрою, якщо різниця між цільовою температурою та температурою навколишнього середовища занадто велика, цільова температура може бути досягнута.
  19. Щоб зменшити ризик пожежі, ураження електричним струмом або травм при користуванні кондиціонером, дотримуйтесь таких основних заходів безпеки:
    - а) Підключіть до заземленої розетки за допомогою 3-х штифтів.
    - б) Не знімайте заземлюючий зубчик.
    - в) Не використовуйте адаптер.
    - г) Не використовуйте подовжувач.
    - д) Перед обслуговуванням відключіть кондиціонер.

ф) Використовуйте двох або більше людей для переміщення та встановлення кондиціонера.

20. Не використовуйте засоби, що прискорюють процес розморожування чи очищення, крім тих, які рекомендовані виробником.

21. Пристрій слід зберігати в приміщенні без постійно діючих джерел займання, наприклад: відкритого вогню, газових приладів або електричних нагрівачів.

.Опис пристрою - Малюнок А

- |   |                                       |
|---|---------------------------------------|
| 1. Панель управління                          | 2. Випуск холодного повітря           |
| 3. Пульти дистанційного керування (малюнок Е) | 4. Транспортна ручка                  |
| 5. Вхід випарника з фільтром EVA              | 6. Витяжна труба повітря              |
| 7. Верхній отвір для зливу кулера             | 8. Отвір для зливу холодильника вниз  |
| 9. Віконний витяжний адаптер                  | 10. З'єднувач вихлопної труби повітря |

Опис панелі управління - зображення D.

- |   |   |
|---|---|
| А. Кнопка живлення  | В. Кнопка режиму                          |
| С. Кнопка зменшення таймера / температури                             | Д. Кнопка включення таймера / температури |
| Е. Кнопки сплячої моделі (D & F натиснуті разом у режимі охолодження) | Ф. Кнопка швидкості вентилятора           |
| Г. Кнопка таймера   | Н. Світлодіодний екран                    |
| І. Рецептор сигналу для пульта дистанційного керування                | Ж. Лампа керування крутим режимом         |
| К. Лампа керування сухим режимом                                      | Л. Лампа управління вентилятором          |
| М. Повна лампа управління водою                                       | Н. Контрольна лампа режиму сну            |
| О. Лампа керування увімкненням / вимкненням                           | Р. Лампа управління часом                 |
| Q. Лампа регулювання температури                                      |   |

Пульт дистанційного керування - малюнок Е

- |   |   |
|---|---|
| А. Кнопка живлення                        | В. Кнопка режиму                          |
| С. Кнопка зменшення таймера / температури | Д. Кнопка включення таймера / температури |
| Е. Модель сну                             | Ф. Кнопка швидкості вентилятора           |
| Г. Кнопка таймера                         |   |

Експлуатація ПАНЕЛІ КОНТРОЛУ - малюнок D

Натисніть кнопку «А», щоб увімкнути та вимкнути машину, зувер один раз відтворить сигнал. Контрольна лампа "О" увімкне панель управління.

Натисніть кнопку «В» для переключення режиму між режимом охолодження → режимом вентилятора → режимом осушення повітря.

Натисніть кнопку "D / C" вгору / вниз, щоб змінити температуру настройки або час настройки, виконайте такі дії:

- Під час встановлення температури натисніть кнопку вгору або вниз, щоб вибрати необхідну температуру (недоступна в режимі вентилятора або осушувача).
- Під час встановлення часу натисніть кнопку вгору або кнопку вниз, щоб вибрати необхідний час.

Натисніть кнопку „F“, щоб вибрати швидкість вентилятора:

- У режимі охолодження та вентилятора натисніть кнопку «F», щоб вибрати роботу з високою або низькою швидкістю вітру. У надто холодних умовах він може не працювати відповідно до встановленої швидкості вітру.
- У режимі осушення повітря натискання кнопки «F» недейсне, і вентилятор насильно вибере роботу з низькою швидкістю вітру.

Натисніть кнопку "E", щоб вибрати режим сну:

- У режимі охолодження натисніть обидві кнопки "F" та "D", щоб увімкнути сплячий режим, тоді пристрій буде працювати на енергозберігаючому та тихому режимах. Контрольна лампа моделі сну "N" вмикається на панелі управління.

Натисніть кнопку "G" для вибору періоду роботи, коли РК-екран блимає, натисніть кнопку "D" або кнопку "C", щоб вибрати необхідний часовий діапазон. Інтервал налаштування часу 1-24 години і може бути відрегульований вгору або вниз на одну годину. Миготіння закінчиться незабаром, і світлодіодний екран повернеться, щоб показати очікувану температуру навколишнього середовища.

Функція затримки запуску:

- налаштування затримки живлення:

Вимкніть пристрій, а потім натисніть кнопку "G", потім натисніть кнопку "D" або кнопку "C" вниз, щоб вибрати необхідне значення

часу. Максимальна потужність при затримці - 24 години. Пристрій увімкнеться після закінчення часу затримки.

- налаштування затримки вимкнення живлення:

Увімкніть пристрій, а потім натисніть кнопку "G", потім натисніть кнопку "D" або кнопку "C" вниз, щоб вибрати необхідне значення часу. Максимальний час затримки відключення електроенергії - 24 години. Пристрій вимкнеться після закінчення часу затримки.

Робота ВИДАЛЕНОГО КОНТРОЛЕРУ - малюнок E

Пульт дистанційного керування передає сигнали системі.

Кнопка "A" - прилад запуститься, коли він підключений до напруги або буде зупинений під час роботи, якщо натиснути цю кнопку.

Кнопка "B" - натисніть її, щоб вибрати режим роботи: прохолодний режим → сухий режим → режим вентилятора.

Кнопка "C" / "D" - натисніть, щоб регулювати температуру в приміщенні та таймер.

Кнопка "E" - натисніть, щоб встановити або скасувати режим сну.

Кнопка "F" - натисніть її, щоб вибрати швидкість вентилятора в послідовності: низька / висока швидкість вітру.

Кнопка "G" - натисніть, щоб встановити час роботи від 1 до 24 годин.

## ПРИБОРИ ЗАХИСТУ

1. Функція захисту від морозу:

У режимі охолодження, осушення або економії енергії, якщо температура вихлопної труби занадто низька, машина автоматично перейде в стан захисту; якщо температура вихлопної труби підвищиться до певної температури, вона може автоматично повернутися до нормальної роботи.

2. Функція захисту від переливу "M":

Коли вода в каstrуллі з водою перевищить рівень попередження, машина автоматично подасть сигнал тривоги, і індикатор "ПОВНО" буде миготіти "M". У цей час злийте воду згідно з інструкціями щодо дренажу. Після спорожнення води машина автоматично повернеться до початкового стану.

3. Функція захисту компресора

Щоб збільшити термін служби компресора, він має функцію захисту від затримки завантаження на 3 хвилини після вимкнення компресора.

## ІНСТРУКЦІЇ З ОБЛАДНАННЯ:

Ця машина має два способи дренажу: ручне дренаж та безперервне водовідведення.

1. Ручний дренаж - малюнок F1.

Коли пристрій припиняється після наповнення води, ви бачите на панелі керування індикатор "M" блимає. Вимкніть живлення пристрою та від'єднайте шнур живлення. Перемістіть машину обережно, щоб не розливати воду у каstrуллю з водою на дні корпусу.

Поставте ємність з водою нижче відводу води за корпусом. Відкрутіть отвір для зливу холодного холодильника (8) та від'єднайте штепсельну вилку, вода автоматично потече в ємність з водою. Утримуйте належним чином дренажну кришку та воду. Під час дренажу тіло можна трохи нахилити назад. Якщо ємність з водою не може утримувати всю воду, перед тим, як ємність з водою наповнена, наповніть її водою вилки якнайшвидше, щоб запобігти попаданню води на підлогу або килим. Коли вода скидається, набийте пробку та затягніть дренажну кришку.

2. Безперервне водовідведення - варіант, застосований до режиму осушення ТІЛЬКИ - показаний на малюнку F2.

Відкрутіть дренажну кришку та від'єднайте штепсельну вилку. Встановіть дренажну трубу (не входить до комплекту) у вихідний отвір для води. Підключіть дренажну трубу до відра.

## ОЧИЩЕННЯ І ОБСЛУГОВУВАННЯ

Очищення: перед чищенням та технічним обслуговуванням вимкніть машину та вийміть вилку з розетки.

а) Прибирання житла

Почистіть поверхню пристрою мокрою м'якою тканиною. Не використовуйте хімічні речовини, такі як бензол, спирт, бензин, інакше поверхня пристрою буде пошкоджена або навіть уся машина буде пошкоджена.

б) Очищення фільтра EVA

Якщо екран фільтра забився пилом, а ефективність пристрою знижується, обов'язково очищайте екран фільтра раз на два тижні.

- Очистіть верхню рамку екрана фільтра - малюнок G.

- Відкрутіть один гвинт на задній кришці та зніміть сітку фільтра EVA (5).

- Поставте фільтр у теплу воду з нейтральним миючим засобом (близько 40 °C / 104 °F) і висушіть його в тіні після чистого промивання.

## ЗБЕРІГАННЯ

1. Відкрутіть дренажний ковпак, відключіть штепсельну воду та відкачіть воду в каstrуллі з водою в інші ємності з водою або безпосередньо нахиліть корпус, щоб воду скидати в інші ємності.

2. Увімкніть пристрій, відрегулюйте його в режимі вентилятора з низькою швидкістю і підтримуйте цей стан, поки зливна труба (не входить до комплекту) не стане сухою, щоб зберегти внутрішню частину корпусу в сухому стані і не допустити його цвілі. .

3. Вимкніть пристрій, вийміть вилку з розетки, встановіть вилку та кришку зливу.

4. Зніміть елементи витяжної труби повітря.

5. Накрийте кондиціонер пластиком пакетом. Поставте кондиціонер у сухе місце, тримайте його в недоступному для дітей місці та вживайте заходів щодо проти пилу.

6. Вийміть акумулятори пульта дистанційного керування та утримуйте їх належним чином.

## ВИРШЕННЯ ПРОБЛЕМ

Не ремонтуйте пристрій самостійно. Кваліфікований ремонт позбавить гарантії.

Проблема I.: Кондиціонер не працює.

Причина 1: електрики немає. Отже, увімкніть його після підключення до розетки з електрикою.

Причина 2: Індикатор переливу відображає "FL". Отже, скидайте воду.

Причина 3: Температура навколишнього середовища занадто низька або занадто висока. Тож рекомендуємо використовувати пристрій при температурі 7-35 °C (44-95 °F).

Причина 4: У режимі охолодження температура в приміщенні нижче встановленої температури. Отже, змініть задану температуру.

Причина 5: У сухому режимі температура навколишнього середовища занадто низька. Так, пристрій слід розміщувати в приміщенні з температурою навколишнього середовища понад 17 °C (62 °F).

Проблема II. Охолоджуючий ефект не дуже хороший.

Причина 1: Є прямі сонячні промені. Отже, потягніть завісу.

Причина 2: двері чи вікна відкриті; людей дуже багато; або в режимі охолодження є інші джерела тепла. Отже, закрийте двері та вікна та додайте новий кондиціонер.

Причина 3: Фільтр EVA забруднений. Отже, очистіть його.

Причина 4: Вхід або вихід повітря заблоковані. Отже, чіткі перешкоди.

Проблема III: великий шум

Причина: пристрій не розміщується на рівній поверхні. Отже, поставте пристрій на рівне і жорстке місце, щоб зменшити шум.

Проблема IV.: Компресор не працює.

Причина: Запускається захист від перегріву. Отже, зачекайте 3 хвилини, поки температура не знизиться, а потім перезапустіть машину.

Проблема V: Пульст дистанційного керування не працює.

Причина 1: Відстань між машиною та пультом управління занадто велика. Отже, нехай пульт дистанційного керування наблизиться до пристрою та переконайтесь, що пульт дистанційного керування безпосередньо стикається з рецептором сигналу (I) на панелі управління.

Причина 2: пульт дистанційного керування не узгоджується з напрямком приймача дистанційного керування. Отже, зробіть так, як зазначено вище.

Причина 3: батареї вичерпані. Отже, замініть батареї.

Проблема VI. Відображає "E1".

Причина: Датчик температури труби ненормальний. Отже, зверніться до уповноваженої сервісної організації.

Задача VII. Відображає "E2"

Причина: Датчик температури в приміщенні ненормальний. Отже, зверніться до уповноваженої сервісної організації.

Примітка. Якщо виникають проблеми, не зазначені в таблиці, або рекомендовані рішення не працюють, зверніться до уповноваженої сервісної організації.

## ТЕХНІЧНІ ДАНІ:

Потужність охолодження в БТУ: 7000 BTU / година

Потужність охолодження в ватах: 2060 Вт

Споживання енергії (охолодження) Вт: 792 Вт

Рівень шуму: <= 65 дБ

Потік повітря: 300 м<sup>3</sup> / год

Енергетичний клас: A

Таймер: 24 години

Вага теплоносія R290: максимум 130 грам



Обережність, небезпека пожежі.

НЕ проколюйте та не горіть.

Майте на увазі, що холодоагент може не містити запаху.



У інтересах навколишнього середовища.

Будь ласка, віддайте картонну упаковку в місце збору мукулатури. Політиленові мішки (PE) викинути в смітник для пластику. Відпрацьований пристрій повинен бути відправлений у відповідну точку зберігання, тому що в пристрої є небезпечні інгредієнти, які можуть становити загрозу навколишньому середовищу. Електричний пристрій потрібно повернути так, щоб обмежити його повторне використання. Якщо у пристрої є батареї, то потрібно їх витягнути і віддати до відповідного пункту.

македонски

ОПШТИ УСЛОВИ ЗА БЕЗБЕДНОСТ  
ВАНИ ИНСТРУКЦИИ ЗА БЕЗБЕДНОСТ ПРОЧИТАЈТЕ Внимателно и заштедете за  
ИДНИНА

1. Пред да го користите уредот, прочитајте го упатството за работа и следете ги

- упатствата содржани во него. Производителот не одговара за штети предизвикани од користење на уредот спротивно на наменетата намена или неправилно работење.
2. Уредот е само за домашна употреба. Не користете за други цели што не се за наменетата цел.
  3. Уредот треба да се поврзе само со штекер за напојување со заземјен 220 240V ~ 50Hz. За да се зголеми безбедноста во работењето, повеќе електрични уреди не треба да бидат поврзани со едно струјно коло во исто време.
  4. Користете голема претпазливост кога го користите уредот кога децата се во близина. Не дозволувајте децата да си играат со уредот, не дозволувајте деца или луѓе кои не се запознати со уредот да го користат.
  5. ПРЕДУПРЕДУВАЕ: Оваа опрема може да ја користат деца над 8 години и лица со ограничена физичка, сензорна или ментална способност, или луѓе кои немаат искуство или познавање на опремата, доколку тоа е направено под надзор на одговорно лице за нивната безбедност или им е дадена информација за безбедно користење на уредот и се свесни за опасностите од неговото користење. Децата не треба да си играат со опрема. Чистењето и одржувањето на уредот не треба да го вршат деца, освен ако не се над 8 години и овие активности се вршат под надзор.
  6. Секогаш исклучувајте го приклучокот за напојување со држење на штекерот со раката по употребата. НЕ влечете го кабелот за напојување.
  7. Не го потовајте кабелот, приклучокот и целиот уред во вода или друга течност. Не го изложувајте го уредот на атмосферски услови (дожд, сонце и слично) или користете го во услови на висока влажност (бањи, влажни домови за мобилни телефони).
  8. Периодично проверувајте ја состојбата на кабелот за напојување. Ако кабелот за напојување е оштетен, тој треба да се замени со специјализирана продавница за поправка за да се избегне опасност.
  9. Не користете го апаратот со оштетен кабел за напојување или ако е испуштен или оштетен на кој било друг начин или ако не работи правилно. Не поправајте го уредот сами, бидејќи постои опасност од електричен удар. Понесете го оштетениот уред во соодветен сервисен центар за проверка или поправка. Сите поправки може да ги извршуваат само овластени сервисни точки. Неправилно извршените поправки можат да предизвикаат сериозна опасност за корисникот.
  10. Поставете го уредот на ладна, стабилна површина, подалеку од топли кујнски уреди како што се: електричен шпорет, горилник за гас, итн.
  11. Осигурете се дека ништо не го блокира влезот на воздухот и излезот на уредот
  12. Користете го уредот само на рамна површина за да спречите излевање на кондензацијата
  13. За да се обезбеди дополнителна заштита, препорачливо е да се инсталира уред за преостаната струја (RCD) во електричното коло со номинална преостаната струја што не надминува 30mA. За ова прашајте електричар.
  14. Редовно чистете го филтерот за воздух. Фреквенцијата на чистење зависи од

чистотата на воздухот.

15. Откако ќе ја исклучите машината, почекајте најмалку 5 минути пред да ја вклучите повторно.

16. Не користете го уредот на сончеви места. Кога уредот се прегрее, заштитата од прегревање ќе се вклучи уредот.

17. За да се обезбеди ефикасно ладење, треба да се чува растојание од најмалку 50 см помеѓу страничните wallsидови на уредот и теидот или мебелот или завесите.

18. Поради ограничената изведба на уредот, ако разликата помеѓу целната температура и температурата на околината е премногу голема, не може да се постигне целта.

19. За да го намалите ризикот од пожар, електричен удар или повреда при употреба на климатик, почитувајте ги следниве основни мерки на претпазливост:

а) Поврзете се со заземјен штекер со 3 пина.

б) Не отстранувајте го заземјувачот.

в) Не користете го адаптерот.

г) Не користете продолжен кабел.

д) Исклучете го клима уредот пред сервисирање.

ѓ) Користете две или повеќе лица за да го преместите и инсталирате климатизерот.

20. Не користете средства што го забрзуваат процесот на одмрзнување или чистење, освен оние препорачани од производителот.

21. Уредот треба да се чува во просторија без постојано да работи извор на палење, на пример: отворен оган, гасни апарати или електрични грејачи.

Опис на уредот - Слика А

1. Контролен панел

3. Далечински управувач (слика Е)

5. Влез на испарувачот со филтер ЕВА

7. Горна дупка за ладење на ладилникот

9. Адаптер за издувни гасови на прозорецот

2. Извод за ладен воздух

4. Транспортна рачка

6. Цевка за издувните гасови

8. Дупка за одводнување на ладилникот

10. Конектор на цевка за издувни гасови

Опис на контролниот панел - Слика Д.

А. Копче за напојување копче

В. Тајмер / копче за намалување на тастерот

Е. Копчиња за моделот на спиење (D & F притиснете заедно на режимот за ладење)

Г. Копче за брзина на вентилаторот Копче

Г. Тајмер

И. Рецептор за сигнал за далечински управувач

К. Контролна ламба за сув режим

М. Целосна ламба за контрола на водата

О. Контролна ламба за вклучување / исклучување

П. ламба за контрола на температурата

Б. режим

Д. Копче за тајмер / температура нагоре

Н. ЛЕД екран

Ј. Контролна лампа за ладно режим

Л. Контролна ламба за режимот на вентилаторот

Н. Контролна ламба за режимот на спиење

П. Лампа за контрола на времето

Далечински управувач - Слика Е

А. Копче за напојување копче

В. Копче за тајмер / температура надолу

Е. Модел на спиење

Г. Тајмер

Б. Копче за режим

Г. Тајмер / копче за зголемување на температурата

Ф. Копче за брзина на вентилаторот

Операција на контрола на панел - слика Д

Притиснете го копчето „А“ за да ја вклучите и исклучите машината, сијалицата еднаш ќе пушти сигнал. Контролната табла „О“ ќе се вклучи во контролниот панел.

Притиснете го копчето „B“ за да го вклучите режимот, помеѓу режимот на ладење mode режимот на вентилаторот mode режимот на дехидрирање.

Притиснете го копчето „D / Ц“ нагоре / надолу за да ја промените температурата или времето за поставување, поставете го следново:

- Додека поставувате температура, притиснете го копчето нагоре или надолу за да ја изберете потребната температура (не е достапна во режим на вентилаторот или дехидрирање).

- Додека поставувате време, притиснете го копчето или копчето надолу за да го изберете потребното време.

Притиснете го копчето „F“ за да ја изберете брзината на вентилаторот:

- Во режимот на ладење и вентилаторот, притиснете го копчето „F“ за да изберете висока или мала брзина на ветерот. Во премногу студени услови, може да не работи според поставената брзина на ветерот.

- Во режимот на дехидрирање, притискањето на копчето „F“ е неважечко, а вентилаторот присилно ќе избере работа со мала брзина на ветерот.

Притиснете го копчето „E“ за да изберете режим на спиење:

- Во режимот на ладење, притиснете ги двете копчиња „F“ и „D“ за да го вклучите режимот за спиење, тогаш единицата работи на Енергија - Заштеда и тивок тип. Контролната табла ќе се вклучи контролната ламба на моделот за спиење „N“.

Притиснете го копчето „G“ за да изберете период на работа, кога трепка LCD екранот, притиснете го копчето „D“ или копчето „Ц“ долу за да го изберете потребниот временски интервал. Временското поставување се движи 1-24 часа и може да се прилагоди нагоре или надолу за еден час. Трепкањето ќе заврши наскоро и LED-екранот ќе се врати за да ја покаже очекуваната температура на околината.

Функција за одложување на почетокот:

- Поставување на одложување на вклучување на енергија:

Исклучете го уредот и потоа притиснете го копчето „G“, следното притискање на копчето „D“ или копчето „Ц“ долу за да ја изберете потребната временска вредност. Максималната моќност за време на одложување е 24 часа. Уредот ќе се вклучи по истекот на времето за одложување.

- Поставување на одложување на исклучување на струја:

Вклучете го уредот и потоа притиснете го копчето „G“, следното притискање на копчето „D“ или копчето „Ц“ долу за да ја изберете потребната временска вредност. Максималното време на одложување на исклучување на струјата е 24 часа. Уредот ќе се исклучи по истекот на времето за одложување.

РЕМОТИРАТЕ КОНТРОЛЕЛЕР работа - слика E

Далечинскиот управувач пренесува сигнали на системот.

Копче „A“ - апаратот ќе се стартува кога ќе се напојува или ќе се запре кога е во функција, ако го притиснете ова копче.

Копче "B" - притиснете го за да изберете режим на работа: режим на ладење → сув режим → режим на вентилаторот.

Копче "C" / "D" - притиснете за да ја прилагодите температурата во просторијата и тајмерот.

Копче "E" - притиснете за да поставите или откажете режимот на спиење.

Копче "F" - притиснете го за да ја изберете брзината на вентилаторот во низа: ниска / голема брзина на ветерот.

Копче "G" - притиснете за да го поставите времето на работа од 1 до 24 часа.

УПАТСТВИ ЗА ЗАШТИТА

1. Функција за заштита од мраз:

Во режимот на ладење, дехидрирање или заштеда на електрична енергија, ако температурата на издвуната цевка е прениска, машината автоматски ќе влезе во статус на заштита; ако температурата на издвуната цевка се искачи на одредена температура, може автоматски да се врати на нормална работа.

2. Функција за заштита од претекување „M“:

Кога водата во тавата со вода го надминува нивото на предупредување, машината автоматски ќе звучи аларм, а светлото за индикаторот "M" ќе се светне. Во тоа време, исцедете ја водата според упатствата за дренажа. Откако ќе се испразни водата, машината автоматски ќе се врати во првобитната состојба.

3. Заштита на функцијата на компресорот

За да го зголемите работниот век на компресорот, таа има 3-минутно одложување функција за заштита од подигнување откако компресорот е исклучен.

УПАТСТВО ЗА ОДРЕДУВА :E:

Оваа машина има два начини на одводнување: рачна дренажа и континуирано одводнување.

1. Рачна дренажа - слика F1.

Кога уредот ќе престане откако водата ќе се наполни, на контролниот панел гледате дека контролната ламба „M“ трепка.

Исклучете го напојувањето на уредот и исклучете го приклучокот за напојување. Поместете ја машината внимателно, за да не ја истури водата во тавата со вода на дното на телото. Ставете го садот за вода под излезот на водата зад куќиштето. Одвртете ја дупката за исцедување на ладилникот надолу (8) и одвртете го приклучокот за вода, водата автоматски ќе се влева во контејнерот



за вода. Чувајте го капакот за одводнување и приклучокот за вода правилно. За време на дренажата, телото може да се навали малку нанзад. Ако садот за вода не може да ја задржи целата вода, пред да се наполни садот за вода, пополните го штекерот за вода што е можно поскоро за да спречите проток на вода во подот или телихот. Кога водата е испразнета, наполнете го приклучокот за вода и затегнете го капакот за одводнување.

2. Континуирана дренажа - опција применлива само за режим на дехидрирање - прикажана на слика F2.

Отшрафете го капакот за одводнување и исклучете го приклучокот за вода. Поставете ја дренажната цевка (не е вклучена во комплетот) во излезот на вода. Поврзете ја дренажната цевка со корпата.

## ЧИСТЕЕ И ОДРУВАЕ

Чистење: пред чистење и одржување, исклучете ја машината и исклучете го приклучокот.

а) Чистење на станови

Исчистете ја со површина на уредот со влажна мека крпа. Не користете хемикалии, како што се бензен, алкохол, бензин, во спротивно, површината на уредот ќе биде оштетена или дури и целата машина ќе биде оштетена.

б) чистење на филтерот EVA

Ако екранот на филтерот е запушен со прашина, а ефикасноста на уредот е намалена, не заборавате да го исчистите филтерот на филтерот еднаш на секои две недели.

- Исчистете ја горната рамка на екранот за филтрирање - слика Г.

- Олабавете една завртка во задниот капак и извадете ја решетката за филтрирање EVA (5).

- Ставете го филтерот во топла вода со неутрален детергент (околу 40 °C / 104) и исушете го во сенка откако ќе се испере чистата.

## ЧУВАЕ

1. Одвртете го капакот за одводнување, исклучете го приклучокот за вода и испуштете ја водата во тавата со вода во други контејнери за вода или директно навалете го кукиштето за да ја испушти водата во други садови.

2. Вклучете го уредот, прилагодете го на режимот на вентилаторот со мала брзина и одржувајте ја оваа состојба додека дренажната цевка (не е вклучена во комплетот) да стане сува, за да ја задржите внатрешноста на кукиштето во сува состојба и да спречите бришење.

3. Исклучете го уредот, извадете го приклучокот од штекерот, инсталирајте го приклучокот и капакот на мозоци.

4. Отстранете ги елементите на цевката за издувните гасови.

5. Покријте го клима-уредот со пластична кеса. Ставете го климатизацијата на суво место, чувајте го подалеку од дофатот на децата и преземете мерки за контрола на прашината.

6. Извадете ги батериите од далечинскиот управувач и одржувајте ги правилно.

## СОВЕТУВАОЕ

Не поправајте го уредот сами. Квалификуваната поправка ќе ја поништи гаранцијата.

Проблем I: Климатизацијата не работи.

Причина 1: Нема електрична енергија. Затоа, вклучете го откако ќе го поврзете со штекер со електрична енергија.

Причина 2: Индикаторот за прелевање ја прикажува "FL". Значи, испуштете ја водата.

Причина 3: Температурата на околината е премногу ниска или премногу висока. Затоа, препорачате да го користите уредот на температура од 7-35 °C (44-95).

Причина 4: Во режимот на ладење, температурата во просторијата е пониска од поставената температура. Значи, променете ја поставената температура.

Причина 5: Во сув режим, температурата на околината е премногу ниска. Значи, уредот треба да се смести во просторија со температура на околината поголема од 17 °C (62).

Проблем II: Ефектот на ладење не е добар.

Причина 1: Постои директна сончева светлина. Затоа, повлечете ја завесата.

Причина 2: Вратите или прозорците се отворени; има многу луѓе; или во режим на ладење, постојат и други извори на топлина.

Значи, затворете ги вратите и прозорците и додадете нов климатик.

Причина 3: EVA филтерот е валкан. Значи, исчистете го.

Причина 4: Влезот или излезот на воздухот е блокиран. Значи, јасни пречки.

Проблем III: Голем шум

Причина: Уредот не е поставен на рамна површина. Значи, ставете го уредот на рамно и тешко место за да се намали бучавата.

Проблем IV: Компресорот не работи.

Причина: Започнува заштитата од прегревање. Затоа, почекајте 3 минути додека не се намали температурата, а потоа повторно вклучете ја машината.

Проблем V: Далечинскиот управувач не работи.

Причина 1: Растојанието помеѓу машината и далечинскиот управувач е премногу далеку. Значи, оставете го далечинскиот управувач да се приближи до уредот и проверете дали далечинскиот управувач директно се соочува на сигналот за рецепторот (I) на контролниот панел.

Причина 2: Далечинскиот управувач не е усогласен со насоката на ресиверот на далечинскиот управувач. Така, направете го како погоре.

Причина 3: Батериите се исцрпени. Така, заменете ги батериите.

Проблем VI: Го прикажува „E1“.

Причина: Сензорот за температура на цевката е ненормален. Затоа, контактирајте со овластена организација за услуги.

Проблем VII: Прикажува 'E2'

Причина: Сензорот за температура во просторијата е ненормален. Затоа, контактирајте со овластена организација за услуги.

Забелешка: Ако се појават проблеми што не се наведени во табелата или провештајните соопшенија, не функционираат, ве молиме контактирајте со овластена организација за услуги.

#### ТЕХНИЧКИ ПОДАТОЦИ:

Капацитет за ладење на BTU: 7000 BTU / час

Капацитет на ладење во вати: 2060W

Потрошувачка на енергија (ладење) W: 792 W

Ниво на бучава: <= 65dB

Проток на воздух: 300 m<sup>3</sup> / h

Класа на енергија: A

Тајмер: 24 часа

Тежина на течноста за ладење R290: максимум 130 грама



Се грижime за природната средина. Картонските паковки молиме да се наменат за рециклирање. Полиетиленовите кеси (PE) да се фрлат во контејнер за пластика. Искористениот уред треба да се предаде во соодветниот складирачки пункт, бидејќи небезбедните состојки кои се наоѓаат во уредот можат да бидат загрозување за средината. Електричниот уред треба да се предаде на начин кој ќе оневозможи негова повторна употреба и искористување. Доколку во уредот има батерии, треба да се извадат и посебно да се предадат во складирачкиот пункт.



Внимание, ризик од пожар.

НЕ пирснувајте или изгорувајте.

Бидете свесни дека ладилното средство може да не содржи мирис..

## SLOVENSKY

### VŠEOBECNÉ BEZPEČNOSTNÉ PODMIENKY

#### DÔLEŽITÉ BEZPEČNOSTNÉ POKYNY ČÍTAJTE POZORNE A ULOŽTE DO BUDÚCNOSTI

1. Pred použitím zariadenia si prečítajte návod na obsluhu a postupujte podľa pokynov v ňom uvedených. Výrobca nezodpovedá za škody spôsobené používaním zariadenia v rozpore s jeho určeným účelom alebo nesprávnou obsluhou.
2. Zariadenie je určené iba na domáce použitie. Nepoužívajte na iné účely, než na ktoré sú určené.
3. Zariadenie by malo byť pripojené iba k sieťovej zásuvke s uzemneným 220 240 V ~ 50 Hz. Z dôvodu zvýšenia prevádzkovej bezpečnosti by viac elektrických zariadení nemalo byť pripojené k jednému prúdovému obvodu súčasne.
4. Pri používaní zariadenia, keď sú deti v blízkosti, buďte veľmi opatrní. Nedovoľte deťom hrať sa so zariadením, nedovoľte deťom ani osobám oboznámeným so zariadením používať.
5. **VÝSTRAHA:** Toto zariadenie môžu používať deti staršie ako 8 rokov a ľudia s obmedzenými fyzickými, zmyslovými alebo mentálnymi schopnosťami alebo ľudia, ktorí nemajú skúsenosti s týmto vybavením, ak sa to deje pod dohľadom zodpovednej osoby. pre svoju bezpečnosť alebo im boli poskytnuté informácie o bezpečnom používaní pomôcky a sú si vedomí nebezpečenstva pri jej používaní. Deti by sa s týmto zariadením nemali hrať. Čistenie a údržba prístroja by nemali vykonávať deti, pokiaľ nie sú staršie ako 8 rokov a tieto činnosti sa vykonávajú pod dohľadom.
6. Po použití vždy odpojte sieťovú zástrčku tak, že budete držať zásuvku rukou. **NEVYŤAHUJTE** napájací kábel.
7. Kábel, zástrčku a celé zariadenie neponárajte do vody ani inej kvapaliny. Nevystavujte zariadenie poveternostným vplyvom (dážď, slnko atď.) Ani ho nepoužívajte v podmienkach vysokej vlhkosti (kúpeľne, vlhké mobilné domy).
8. Pravidelne kontrolujte stav napájacieho kábla. Ak je napájací kábel poškodený, mal by sa vymeniť v odbornom servise, aby sa predišlo nebezpečenstvu.
9. Nepoužívajte spotrebič s poškodeným napájacím káblom alebo ak spadol alebo je

poškodený iným spôsobom alebo ak nefunguje správne. Neopravujte prístroj sami, mohlo by dôjsť k úrazu elektrickým prúdom. Poškodené zariadenie odneste na kontrolu alebo opravu do príslušného servisného strediska. Všetky opravy smie vykonávať iba autorizovaný servis. Nesprávne vykonané opravy môžu pre používateľa predstavovať vážne nebezpečenstvo.

10. Zariadenie umiestnite na chladný a stabilný povrch, mimo dosahu horúcich kuchynských spotrebičov, ako sú: elektrický sporák, plynový horák atď.

11. Skontrolujte, či nič neblokuje vstup a výstup vzduchu zo zariadenia

12. Používajte zariadenie iba na rovnom povrchu, aby sa zabránilo vyliatiu kondenzátu

13. Na zabezpečenie dodatočnej ochrany sa odporúča nainštalovať do elektrického obvodu zariadenie na zvyškový prúd (RCD) s menovitým zvyškovým prúdom nepresahujúcim 30 mA. Požiadajte o to elektrikára.

14. Pravidelne čistite vzduchový filter. Frekvencia čistenia závisí od čistoty vzduchu.

15. Po vypnutí stroja počkajte aspoň 5 minút, kým ho znova zapnete.

16. Nepoužívajte zariadenie na slnečných miestach. Keď sa zariadenie prehrieva, zapne sa ochrana pred prehriatím.

17. Na zabezpečenie účinného chladenia by sa medzi bočnými stenami zariadenia a stenou alebo nábytkom alebo záclonami mala udržiavať vzdialenosť najmenej 50 cm.

18. Vzhľadom na obmedzený výkon zariadenia, ak je rozdiel medzi cieľovou teplotou a okolitú teplotou príliš veľký, cieľová teplota sa nemusí dosiahnuť.

19. Aby ste znížili riziko požiaru, úrazu elektrickým prúdom alebo zranenia pri používaní klimatizácie, dodržiavajte tieto základné bezpečnostné opatrenia:

a) Pripojte k uzemnenej zásuvke pomocou 3 pinov.

b) Nevyberajte uzemňovací kolík.

c) Nepoužívajte adaptér.

d) Nepoužívajte predlžovací kábel.

e) Pred servisom odpojte klimatizačnú jednotku.

f) Na premiestnenie a inštaláciu klimatizácie použite dve alebo viac osôb.

20. Nepoužívajte iné prostriedky, ktoré urýchľujú proces rozmrazovania alebo čistenia, iné ako tie, ktoré odporúča výrobca.

21. Zariadenie by sa malo skladovať v miestnosti bez neustáleho fungovania zdrojov zapálenia, napríklad: otvorený oheň, plynové spotrebiče alebo elektrické ohrievače.

Popis zariadenia - Obrázok A

1. Ovládací panel

3. Diaľkový ovládač (obrázok E)

5. Vstup výparníka s EVA filtrom

7. Horný vypúšťací otvor chladiča

9. Adaptér na odsávanie okien

2. Výstup studeného vzduchu

4. Transportná rukoväť

6. Výfukové potrubie vzduchu

8. Spodný vypúšťací otvor chladiča

10. Konektor výfukového potrubia vzduchu

Popis ovládacieho panela - obrázok D.

A. Vypínač

C. Tlačidlo na zníženie času / teploty

E. Tlačidlá režimu spánku (D & F spoločné stlačenie v režime chladenia)

G. Tlačidlo časovača

I. Receptor signálu pre diaľkový ovládač

K. Kontrolka režimu sušenia

M. Kontrolka plnej vody

B. Prepínač režimu

D. Tlačidlo na zvýšenie času / teploty

F. Tlačidlo rýchlosti ventilátora

H. Obrazovka LED

J. Kontrolka režimu chladenia

L. Kontrolka režimu ventilátora

N. Kontrolka režimu spánku

automaticky vrátiť k normálnej prevádzke.

2. Funkcia ochrany proti prepadu „M“:

Keď voda vo vodnej vani prekročí výstražnú úroveň, zariadenie automaticky vydá výstražný signál a kontrolka „FULL“ začne blikať „M“. V tomto okamihu vypustíte vodu podľa pokynov na odvodnenie. Po vyprázdnení vody sa zariadenie automaticky vráti do pôvodného stavu.

3. Ochranná funkcia kompresora

Aby sa predĺžila životnosť kompresora, má po vypnutí kompresora ochrannú funkciu oneskorenia 3 minúty.

#### POKYNY NA ODVODOVANIE:

Tento stroj má dve metódy odtoku: manuálne a nepretržité odtoky.

1. Ručné odvodnenie - obrázok F1.

Keď sa zariadenie po naplnení vody zastaví, na ovládacom paneli sa rozsvieti kontrolka „M“. Vypnite zariadenie a odpojte sieťovú zástrčku. Premiestnite zariadenie opatrne, aby sa voda nevysypala do panvice s vodou na spodku tela. Nádobu na vodu umiestnite pod výstup vody za krytom. Odskrutkujte odtokový otvor chladiča (8) a odpojte vodnú zátku, voda bude automaticky stekať do nádrže na vodu. Udržujte odtokový kryt a vodnú zátku správne. Počas odtoku je možné teleso nakloniť mierne dozadu. Ak nádoba na vodu nedokáže zachytiť všetku vodu, pred naplnením nádoby na vodu čo najskôr uzavrite výtok vody zátkou na vodu, aby sa zabránilo tečeniu vody na podlahu alebo na koberec. Po vypustení vody uzavrite uzáver vody a utiahnite odtokový kryt.

2. Nepretržité odvodnenie - možnosť použiteľná LEN pre režim odvlhčovania - zobrazené na obrázku F2.

Odskrutkujte odtokový kryt a odpojte vodnú zátku. Odtokovú hadicu (nie je súčasťou súpravy) vložte do výstupu vody. Pripojte drenážne potrubie k vedru.

#### ČISTENIE A ÚDRŽBA

Čistenie: pred čistením a údržbou stroj vypnite a vytiahnite zástrčku zo zásuvky.

a) Čistenie krytu

Čistite povrchom zariadenia navlhčenou mäkkou handričkou. Nepoužívajte chemikálie, ako je benzén, alkohol, benzín, inak sa povrch zariadenia poškodí alebo poškodí celý stroj.

b) čistenie filtra EVA

Ak je sitko filtra upchané prachom a účinnosť zariadenia je znížená, filtračné sitko čistite raz za dva týždne.

- Vyčistite hornú časť obrazovky filtra - obrázok G.

- Uvoľnite jednu skrutku v zadnom kryte a vyberte sieťku filtra EVA (5).

- Filter vložte do teplej vody s neutrálnym čistiacim prostriedkom (asi 40 °C / 104 °F) a po vyčistení opláchnite v tieni.

#### skladovanie

1. Odskrutkujte odtokový kryt, odpojte zátku na vodu a vypustíte vodu z vodnej misky do iných nádob na vodu alebo priamo nakloňte kryt, aby sa voda vypustila do iných nádob.

2. Zapnite zariadenie, nastavte ho do režimu nízkej rýchlosti ventilátora a udržujte tento stav, kým nebude drenážna trubica (nie je súčasťou súpravy) suchá, aby sa vnútorná strana krytu udržala v suchom stave a aby sa zabránilo plesniam. .

3. Vypnite zariadenie, vytiahnite zástrčku zo zásuvky, nainštalujte zástrčku a odtokový kryt.

4. Demontujte prvky potrubia na odvod vzduchu.

5. Klimatizáciu prikryte plastovým vreckom. Klimatizáciu umiestnite na suchom mieste, mimo dosahu detí a vykonajte opatrenia na kontrolu prachu.

6. Vyberte batérie z diaľkového ovládača a riadne ich uschovajte.

#### RIEŠENIE PROBLÉMOV

Neopravujte prístroj sami. Kvalifikovaná oprava zruší záruku.

Problém I. : Klimatizácia nefunguje.

Dôvod 1: Neexistuje elektrina. Takže ho po pripojení do zásuvky s elektrickou energiou zapnite.

Dôvod 2: Indikátor pretečenia zobrazuje „FL“. Takže vypúšťajte vodu.

Dôvod 3: Okolité teplota je príliš nízka alebo príliš vysoká. Preto odporúčame zariadenie používať pri teplote 7-35 °C (44-95 °F).

O. Kontrolka zapnutia / vypnutia  
Q, kontrolka teploty

P. Kontrolka času

Diaľkový ovládač - Obrázok E

- A. Vypínač
- C. Tlačidlo na zníženie času / teploty
- E. Spánkový model
- G. Tlačidlo časovača

- B. Tlačidlo režimu
- D. Tlačidlo časovača / zvýšenia teploty
- F. Tlačidlo rýchlosti ventilátora

Ovládanie ovládacieho panela - obrázok D

Stlačením tlačidla „A“ zapnete a vypnete zariadenie, bzučiak zaznie signál raz. Na ovládacom paneli sa rozsvieti kontrolka „O“.

Stlačením tlačidla „B“ prepnete režim medzi režimom chladenia → režim ventilátora → režim odvlhčovania.

Stlačením tlačidla „D / C“ nahor / nadol zmeníte nastavenú teplotu alebo nastavený čas, postupujte takto:

- Počas nastavovania teploty stlačte tlačidlo nahor alebo nadol a vyberte požadovanú teplotu (nie je k dispozícii v režime ventilátora alebo odvlhčovania).

- Počas nastavovania času stlačte tlačidlo nahor alebo nadol a vyberte požadovaný čas.

Stlačením tlačidla „F“ vyberte rýchlosť ventilátora:

- V režime chladenia a ventilátora stlačte tlačidlo „F“ pre voľbu prevádzky s vysokou alebo nízkou rýchlosťou vetra.

Pri príliš chladnom počasí nemusí bežať podľa nastavenej rýchlosti vetra.

- V režime odvlhčovania je stlačenie tlačidla „F“ neplatné a ventilátor silou vyberie režim nižkej rýchlosti vetra.

Stlačením tlačidla „E“ vyberte režim spánku:

- V režime chladenia stlačte obidve tlačidlá „F“ a „D“, aby ste zapli režim spánku, potom jednotka bude pracovať na režime šetrenia energie a tichého režimu. Kontrolka režimu spánku „N“ sa rozsvieti na ovládacom paneli.

Stlačte tlačidlo „G“ pre voľbu doby prevádzky, keď LCD obrazovka bliká, stlačte tlačidlo „D“ hore alebo dole „C“ a zvolíte požadovaný časový rozsah. Rozsah nastavenia času 1 - 24 hodín a môže byť nastavený nahor alebo nadol o jednu hodinu. Blikanie čoskoro skončí a LED obrazovka sa vráti, aby zobrazila očakávanú teplotu okolia.

Funkcia odloženého štartu:

- Nastavenie oneskorenia pri zapnutí:

Vypnite zariadenie a potom stlačte tlačidlo „G“, potom stlačte tlačidlo „D“ alebo tlačidlo „C“ na výber požadovanej hodnoty času. Maximálny čas oneskorenia napájania je 24 hodín. Zariadenie sa zapne po uplynutí času oneskorenia.

- Nastavenie oneskorenia vypnutia:

Zapnite zariadenie a potom stlačte tlačidlo „G“, potom stlačte tlačidlo „D“ alebo tlačidlo „C“ na výber požadovanej hodnoty času. Maximálny čas oneskorenia vypnutia je 24 hodín. Po uplynutí času oneskorenia sa zariadenie vypne.

Prevádzka DIALKOVÉHO OVLÁDAČA - obrázok E

Diaľkový ovládač prenáša signály do systému.

Tlačidlo „A“ - po stlačení tohto tlačidla sa spotrebič spustí, keď je zapnutý, alebo sa zastaví, keď je v prevádzke.

Tlačidlo "B" - stlačením zvolíte prevádzkový režim: režim chladenia → režim sušenia → režim ventilátora.

Tlačidlo "C" / "D" - stlačením nastavíte teplotu miestnosti a časovač.

Tlačidlo "E" - stlačením nastavíte alebo zrušíte režim spánku.

Tlačidlo "F" - jeho stlačením zvolíte postupnú rýchlosť ventilátora: nízka / vysoká rýchlosť vetra.

Tlačidlo "G" - stlačením nastavíte čas činnosti od 1 do 24 hodín.

OCHRANNÉ ZARIADENIA

1. Funkcia ochrany proti mrazu:

V režime chladenia, odvlhčovania alebo úspory energie, ak je teplota výfukového potrubia príliš nízka, stroj automaticky vstúpi do stavu ochrany; ak teplota výfukového potrubia stúpne na určitú teplotu, môže sa

Dôvod 4: V režime chladenia je teplota v miestnosti nižšia ako nastavená teplota. Zmeňte tak nastavenú teplotu.

Dôvod 5: V suchom režime je okolitá teplota príliš nízka. Preto by malo byť zariadenie umiestnené v miestnosti s okolitou teplotou vyššou ako 17 °C (62 °F).

Problém II.: Chladiaci účinok nie je dobrý.

Dôvod 1: Existuje priame slnečné svetlo. Takže zatiahnite záclonu.

Dôvod 2: Dvere alebo okná sú otvorené; je tam veľa ľudí; alebo v chladiacom režime sú iné zdroje tepla. Zatvorte tak dvere a okná a pridajte novú klimatizáciu.

Dôvod 3: Filter EVA je znečistený. Takže to vyčistite.

Dôvod 4: Vstup alebo výstup vzduchu je zablokovaný. Takže jasne prekážky.

Problém III.: Veľký hluk

Dôvod: Zariadenie nie je umiestnené na rovnom povrchu. Zariadenie preto položte na rovné a ťažké miesto, aby sa znížil hluk.

Problém IV.: Kompresor nefunguje.

Dôvod: Začína sa ochrana pred prehriatím. Počkajte 3 minúty, kým sa teplota nezniží, a potom reštartujte zariadenie.

Problém V.: Diaľkové ovládanie nefunguje.

Dôvod 1: Vzdialenosť medzi zariadením a diaľkovým ovládaním je príliš veľká. Dajte teda diaľkové ovládanie bližšie k zariadeniu a uistite sa, že diaľkové ovládanie smeruje priamo k receptoru signálu (I) na ovládacom paneli.

Dôvod 2: Diaľkové ovládanie nie je zarovnané so smerom prijímača diaľkového ovládania. Takže, ako je uvedené vyššie.

Dôvod 3: Batérie sú vybité. Vymeňte preto batérie.

Problém VI.: Zobrazí sa „E1“.

Dôvod: Snímač teploty potruba je neobvyklý. Obráťte sa na autorizovanú servisnú organizáciu.

Problém VII.: Zobrazuje „E2“

Dôvod: Snímač teploty miestnosti je neobvyklý. Obráťte sa na autorizovanú servisnú organizáciu.

Poznámka: Ak sa vyskytnú problémy, ktoré nie sú uvedené v tabuľke alebo odporúčané riešenia nefungujú, kontaktujte autorizovanú servisnú organizáciu.

#### TECHNICKÉ DÁTA:

Chladiaca kapacita pri BTU: 7000 BTU / hod

Chladiaci výkon vo wattoch: 2060 W

Spotreba energie (chladenie) W: 792 W

Hladina hluku: <= 65 dB

Prietok vzduchu: 300 m<sup>3</sup> / h

Energetická trieda: A

Časovač: 24 hodín

Hmotnosť chladiacej kvapaliny R290: maximálne 130 gramov



Pozor, nebezpečenstvo požiaru.  
NEPrepichujte ani nespálujte.  
Majte na pamäti, že chladivo nemusí obsahovať zápach.



Starostlivosť o životné prostredie. Kartónový obal odovzdajte do zberných surovín. Polyetylénové vrecká (PE) vyhodte do kontajnera na plast. Opotrebený spotrebič odovzdajte na príslušný zberný dvor, nebezpečné látky spotrebiča môžu predstavovať riziko pre životné prostredie. Elektrosprebič odstráňte tak, aby nedochádzalo k jeho ďalšiemu použitiu. Ak sa v spotrebiči nachádzajú batérie, vyberte ich a odovzdajte ich na zberné miesto osobitne. Spotrebič nevyhadzujte do kontajnera na komunálny odpad!

## KARTA GWARANCYJNA

WARUNKI GWARANCJI obowiązują na terenie Rzeczypospolitej Polskiej

Adler Sp. z o.o. ul. Ordon 2a 01-237 Warszawa zapewnia Użytkownika o dobrej jakości sprzętu, na który wydana jest niniejsza karta gwarancyjna i udziela 24 miesięcznej gwarancji, która liczy się od daty zakupu sprzętu. Usługi gwarancyjne świadczone są po okazaniu prawidłowo wypełnionej karty gwarancyjnej i dowodu zakupu (kopii paragonu lub faktury VAT). Wady lub uszkodzenia sprzętu ujawnione w okresie gwarancji usuwane będą bezpłatnie przez Serwis Centralny. W przypadku zakupu sprzętu przez przedsiębiorcę (faktura VAT) okres gwarancji wynosi 12 miesięcy.

W przypadku wymiany rzeczy na nową, albo po dokonaniu istotnej naprawy, okres gwarancji biegnie na nowo od chwili dostarczenia klientowi rzeczy wolnej od wad, lub zwrócenia rzeczy naprawionej. Jeżeli gwarant wymienił część rzeczy, przepis powyższy stosuje się odpowiednio do części wymienionej. Gwarant zobowiązuje się pokryć koszty dostarczenia rzeczy do serwisu na adres wskazany w karcie gwarancyjnej. Jednakże uprawniony z gwarancji powinien zachować rozsądek, wybierając środek transportu. Uprawnionemu z gwarancji nie przysługuje od gwaranta zwrot kosztów dostarczenia towaru – rzeczy do naprawy gwarancyjnej, przekraczający ekonomicznie uzasadnione koszty przewozu.

UWAGA: Sprzęt przeznaczony jest wyłącznie do użytku domowego. Naprawami gwarancyjnymi nie są objęte czynności związane z odkamienianiem, konserwacją, czyszczeniem urządzenia oraz części i akcesoria ulegające zużyciu przy normalnym użytkowaniu. Gwarancja nie obejmuje mechanicznych uszkodzeń sprzętu oraz wad i uszkodzeń wynikłych wskutek:

- niewłaściwego lub niezgodnego z instrukcją użytkowania, przechowywania i konserwacji;
- ingerencji nieautoryzowanego serwisu, samowolnych napraw, przeróbek i zmian konstrukcyjnych;
- użycia niewłaściwych materiałów eksploatacyjnych.
- uszkodzeń mechanicznych, termicznych, chemicznych i powstałych na skutek przepięcia w sieci.
- karta gwarancyjna jest nieważna bez daty zakupu, pieczęci sprzedającego i kopii dokumentu zakupu.
- gwarancją nie są objęte elementy eksploatacyjne i akcesoria w tym: elementy szklane (np. dzbanki, talerze), sznury przyłączeniowe, sieciowe, żarówki, baterie, nożyki i folie do urządzeń tnących, nasadki miksujące, trzepaki, mieszaki, ssawkoszczotki, rury, węże, kubki miksujące, głowice tnące i sita.

Reklamowany sprzęt jest dostarczany do Serwisu Centralnego przez Klienta w stanie kompletnym i odpowiednio zabezpieczony na czas transportu. Po dokonanej naprawie reklamowany sprzęt odbierany jest z Serwisu Centralnego przez Klienta.

Termin usunięcia wady może zostać wydłużony o czas potrzebny do importu niezbędnych części, nie dłuższy niż 30 dni roboczych. W każdym takim przypadku warsztat serwisowy powiadomi klienta o wydłużeniu terminu naprawy gwarancyjnej. W związku z koniecznością sprowadzenia części zamiennych i poinformuje o nowym terminie usunięcia wady.

W przypadku stwierdzenia usterki należy ją zgłosić w punkcie sprzedaży lub w Serwisie Centralnym, ul. Ordon 2A, 01-237 Warszawa, tel. 728-595-006 lub e-mail: [serwis@adler.com.pl](mailto:serwis@adler.com.pl).

W zgłoszeniu proszę podać swój adres, nr telefonu i opis usterki. Do reklamacji konieczne jest dołączenie kopii dokumentu zakupu.

Gwarancja nie wyłącza ani nie ogranicza oraz nie zawiesza uprawnień kupującego wynikających z przepisów o rękojmi za wady rzeczy sprzedanej.

SERWIS CENTRALNY

01-237 Warszawa ul.Ordon 2A

tel. 728 - 595 - 006

[serwis@adler.com.pl](mailto:serwis@adler.com.pl) [www.adler.com.pl](http://www.adler.com.pl)

.....  
(data sprzedaży)

.....  
(pieczętka sklepu i podpis sprzedawcy)

adnotacje serwisu:



### W trosce o środowisko..

Opakowania kartonowe prosimy przekazać na makulaturę. Worki polietylenowe (PE) wrzucać do pojemnika na plastik. Zużyte urządzenie należy oddać do odpowiedniego punktu składowania, gdyż znajdujące się w urządzeniu niebezpieczne składniki mogą stanowić zagrożenie dla środowiska. Urządzenie elektryczne należy oddać tak aby ograniczyć jego ponowne użycie i wykorzystanie. Jeżeli w urządzeniu znajdują się baterie należy je wyjąć i oddać do punktu składowania osobno.



**Urządzenia nie wyrzucać do pojemnika na odpady komunalne!!**

OGÓLNE WARUNKI BEZPIECZEŃSTWA  
WAŻNE INSTRUKCJE DOTYCZĄCE BEZPIECZEŃSTWA UŻYTKOWANIA PRZECZYTAJ  
UWAŻNIE I ZACHOWAJ NA PRZYSZŁOŚĆ

1. Przed rozpoczęciem użytkowania urządzenia należy przeczytać instrukcję obsługi i postępować według wskazówek w niej zawartych. Producent nie odpowiada za szkody spowodowane użytkowaniem urządzenia niezgodnie z jego przeznaczeniem lub niewłaściwą jego obsługą.
2. Urządzenie służy wyłącznie do użytku domowego. Nie używać do innych celów, niezgodnych z jego przeznaczeniem.
3. Urządzenie należy podłączyć wyłącznie do gniazdka prądu przemiennego z uziemieniem 220 240V~50Hz. W celu zwiększenia bezpieczeństwa użytkowania do jednego obwodu prądu nie należy równocześnie włączać wielu urządzeń elektrycznych.
4. Należy zachować szczególną ostrożność podczas korzystania z urządzenia, gdy w pobliżu przebywają dzieci. Nie należy dopuszczać dzieci do zabawy urządzeniem nie pozwól dzieciom ani osobom nie zaznajomionym z urządzeniem na jego użytkowanie.
5. **OSTRZEŻENIE:** Niniejszy sprzęt może być użytkowany przez dzieci powyżej 8 roku życia oraz osoby o ograniczonej zdolności fizycznej, czuciowej lub psychicznej, lub osoby nie mające doświadczenia lub znajomości sprzętu, jeśli odbywa się to pod nadzorem osoby odpowiedzialnej za ich bezpieczeństwo lub zostały im udzielone wskazówki na temat bezpiecznego użytkowania urządzenia i mają świadomość niebezpieczeństwa związanego z jego użytkowaniem. Dzieci nie powinny bawić się sprzętem. Czyszczenie i konserwacja urządzenia nie powinna być wykonywana przez dzieci, chyba że są powyżej 8 roku życia a czynności te są wykonywane pod nadzorem.
6. Zawsze po zakończeniu używania, wyjmij wtyczkę z gniazda zasilającego poprzez przytrzymanie gniazdka ręką. **NIE** ciągnąć za sznur sieciowy.
7. Nie zanurzać kabla, wtyczki oraz całego urządzenia w wodzie lub innej cieczy. Nie wystawiaj urządzenia na działanie warunków atmosferycznych (deszczu, słońca, etc.) ani nie używaj w warunkach podwyższonej wilgotności (łazienki, wilgotne domki kempingowe).
8. Okresowo sprawdzaj stan przewodu zasilającego. Jeżeli przewód zasilający jest uszkodzony, to powinien on być wymieniony przez specjalistyczny zakład naprawczy w celu uniknięcia zagrożenia.
9. Nie używaj urządzenia z uszkodzonym przewodem zasilającym lub jeśli zostało upuszczone lub uszkodzone w jakikolwiek inny sposób lub nieprawidłowo pracuje. Nie naprawiaj urządzenia samodzielnie, gdyż grozi to porażeniem. Uszkodzone urządzenie oddaj do właściwego punktu serwisowego w celu sprawdzenia lub dokonania naprawy. Wszelkich napraw mogą dokonywać wyłącznie uprawnione punkty serwisowe. Nieprawidłowo wykonana naprawa może spowodować poważne zagrożenie dla użytkownika.
10. Należy stawiać urządzenie na chłodnej stabilnej, równej powierzchni, z dala od nagrzewających się urządzeń kuchennych jak: kuchenka elektryczna, palnik gazowy, itp..
11. Upewnij się, że nic nie blokuje wlotu i wylotu powietrza do urządzenia
12. Używaj urządzenia tylko na równej poziomej powierzchni by zapobiec wylaniu się skroplonej wody



13. Do zapewnienia dodatkowej ochrony, wskazane jest zainstalowanie w obwodzie elektrycznym, urządzenia różnicowoprądowego (RCD) o znamionowym prądzie różnicowym nie przekraczającym 30mA. W tym zakresie należy zwrócić się do specjalisty elektryka.
14. Czyścić regularnie filtr powietrza. Częstotliwość czyszczenia zależna jest od czystości powietrza.
15. Po wyłączeniu urządzenia odczekaj co najmniej 5 minut przed ponownym włączeniem.
16. Nie używaj urządzenia w nasłonecznionych miejscach. Kiedy urządzenie przegrzeje się, zabezpieczenie przed przegrzaniem włączy urządzenie.
17. Dla zapewnienia efektywnego chłodzenia należy zachować odstęp co najmniej 50 cm między ściankami bocznymi urządzenia, a ścianą bądź meblami czy zasłonami.
18. Ze względu na ograniczoną wydajność urządzenia, przy zbyt dużej różnicy między temperaturą docelową a temperaturą otoczenia, temperatura docelowa może nie zostać osiągnięta.
19. W celu zmniejszenia ryzyka pożaru, porażenia prądem lub obrażeń podczas korzystania z klimatyzatora, należy przestrzegać następujących podstawowych środków ostrożności:
  - a) Podłącz do uziemionego gniazdka z 3 bolcami.
  - b) Nie usuwaj bolca uziemienia.
  - c) Nie używaj adaptera.
  - d) Nie używaj przedłużacza.
  - e) Odłącz klimatyzator przed serwisowaniem.
  - f) Użyj dwóch lub więcej osób, aby przenieść i zainstalować klimatyzator.
20. Nie należy używać środków przyspieszających proces rozmrażania lub czyszczenia innych niż zalecane przez producenta.
21. Urządzenie należy przechowywać w pomieszczeniu bez stale działających źródeł zapłonu, na przykład: otwartego ognia, urządzeń gazowych lub grzejników elektrycznych.

Opis urządzenia - rysunek A

- |  |                                   |
|--|-----------------------------------|
| 1. Panel sterowania                      | 2. Wylot zimnego powietrza        |
| 3. Pilot zdalnego sterowania (rysunek E) | 4. Uchwyt transportowy            |
| 5. Wlot parownika z filtrem EVA          | 6. Rura wylotowa powietrza        |
| 7. Górny otwór spustowy chłodnicy        | 8. Dolny otwór spustowy chłodnicy |
| 9. Adapter wylotu powietrza              | 10. Łącznik rury wylotu powietrza |

Opis panelu sterowania - rysunek D.

- |  |   |
|--|---|
| A. Przycisk zasilania  | B. Przycisk trybu                             |
| C. Przycisk timera / obniżania temperatury                             | D. Przycisk timera / podwyższania temperatury |
| E. Przyciski modelu uśpienia (wciśnięte razem D&F w trybie chłodzenia) | F. Przycisk prędkości wentylatora             |
| G. Przycisk timera   | H. Ekran LED                                  |
| I. Receptor sygnału pilota   | J. Lampka kontrolna trybu chłodzenia          |
| K. Lampka kontrolna trybu osuszania                                    | L. Lampka kontrolna trybu wentylatora         |
| M. Lampka kontrolna pełnej wody  | N. Lampka kontrolna trybu uśpienia            |
| O. Lampka kontrolna włączenia / wyłączenia                             | P. Lampka kontrolna czasu                     |
| Q. kontrolka temperatury   |   |

## Pilot zdalnego sterowania - rysunek E

A. Przycisk zasilania

C. Przycisk timera / obniżania temperatury

E. Model uśpienia

G. Przycisk timera

B. Przycisk trybu

D. Przycisk timera / podwyższania temperatury

F. Przycisk prędkości wentylatora

## Obsługa PANELU STERUJĄCEGO - rysunek D

Naciśnij przycisk „A”, aby włączyć i wyłączyć urządzenie, usłyszysz sygnał dźwiękowy jeden raz. Lampka kontrolna „O” włączy panel sterowania.

Naciśnij przycisk „B”, aby przełączyć tryb pracy pomiędzy trybem chłodzenia → tryb wentylatora → tryb osuszania.

Naciśnij przycisk „D / C” w górę / w dół, aby zmienić ustawioną temperaturę lub czas, postępuj w następujący sposób:

- Podczas ustawiania temperatury naciśnij przycisk w górę lub w dół, aby wybrać wymaganą temperaturę (nie dostępne w trybie wentylatora lub osuszania).

- Podczas ustawiania czasu naciśnij przycisk w górę lub w dół, aby wybrać wymaganą ilość godzin.

Naciśnij przycisk „F”, aby wybrać prędkość wentylatora:

- W trybie chłodzenia i wentylatora naciśnij przycisk „F”, aby wybrać działanie przy wysokiej lub niskiej prędkości nawiewu. W zbyt zimnych warunkach może nie działać zgodnie z ustawioną prędkością nawiewu.

- W trybie osuszania naciśnięcie przycisku „F” jest nieaktywne, wentylator zawsze pracuje na niskiej prędkości nawiewu.

Naciśnij przycisk „E”, aby wybrać tryb uśpienia:

- W trybie chłodzenia naciśnij oba przyciski „F” i „D” jednocześnie na panelu sterowania, aby włączyć tryb uśpienia, urządzenie będzie pracować w trybie oszczędzania energii i cichej pracy. Lampka kontrolna trybu uśpienia „N” zaświeci się na panel sterowania.

Naciśnij przycisk „G”, aby wybrać okres działania, gdy ekran LCD miga, naciśnij przycisk w górę „D” lub przycisk w dół „C”, aby wybrać wymagany zakres czasu. Zakres ustawień czasu wynosi od 1 do 24 godzin i może być zwiększany lub zmniejszany o jedną godzinę. Miganie wkrótce się zakończy, a ekran LED powróci, aby pokazać oczekiwaną temperaturę otoczenia.

Funkcja opóźnionego startu:

- Ustawienie opóźnienia włączenia zasilania:

Wyłącz urządzenie, a następnie naciśnij przycisk „G”, potem naciśnij przycisk w górę „D” lub przycisk w dół „C”, aby wybrać żądaną ilość godzin. Maksymalny czas opóźnienia włączenia wynosi 24 godziny. Urządzenie zostanie włączone po upływie czasu opóźnienia.

- Ustawienie opóźnienia wyłączenia zasilania:

Włącz urządzenie, a następnie naciśnij przycisk „G”, potem naciśnij przycisk w górę „D” lub przycisk w dół „C”, aby wybrać żądaną ilość godzin. Maksymalny czas opóźnienia wyłączenia wynosi 24 godziny. Urządzenie zostanie wyłączone po upływie czasu opóźnienia.

## Obsługa ZDALNEGO STEROWNIKA - zdjęcie E

Pilot zdalnego sterowania przesyła sygnały do systemu.

Przycisk „A” - naciśnięcie tego przycisku spowoduje włączenie urządzenia pod napięciem lub zatrzymanie pracy.

Przycisk „B” - naciśnij go, aby wybrać kolejno tryb pracy: tryb chłodzenia → tryb osuszania → tryb wentylatora.

Przycisk „C” / „D” – naciśnij go, aby ustawić temperaturę i timer.

Przycisk „E” - naciśnij, aby ustawić lub anulować tryb uśpienia.

Przycisk „F” - naciśnij go, aby wybrać prędkość wentylatora w kolejności: niska / wysoka prędkość nawiewu.

Przycisk „G” - naciśnij, aby ustawić czas działania od 1 do 24 godzin.

## URZĄDZENIA OCHRONNE

1. Funkcja ochrony przed mrozem:

W trybie chłodzenia, osuszania lub ekonomicznym trybie oszczędzania energii, jeśli temperatura rury wydechowej jest zbyt niska, urządzenie automatycznie przejdzie w stan ochrony; jeśli temperatura rury wydechowej wzrośnie do określonej temperatury, urządzenie automatycznie powróci do normalnej pracy.

2. Funkcja ochrony przed przepelnieniem „M”:

Gdy woda w zbiorniku na wodę przekroczy poziom ostrzegawczy, urządzenie automatycznie włączy alarm, a lampka kontrolna „FULL” „M” zacznie migać. W tym momencie należy opróżnić wody (szczegółowe informacje znajdują się w instrukcji odprowadzania wody). Po opróżnieniu wody urządzenie automatycznie powróci do pierwotnego stanu.

### 3. Funkcja ochronna sprężarki

Aby wydłużyć żywotność sprężarki, ma ona 3-minutową funkcję opóźnionego rozruchu po wyłączeniu sprężarki.

## INSTRUKCJE ODPROWADZANIA WODY:

To urządzenie ma dwie metody odprowadzania wody: odwadnianie ręczne i odwadnianie ciągłe.

### 1. Ręczne odprowadzanie wody - rysunek F1.

Gdy urządzenie zatrzyma się po napełnieniu się wody, na panelu sterowania zobaczysz lampkę kontrolną „M”. Wyłącz zasilanie urządzenia i wyjmij wtyczkę z gniazdka. Poruszaj maszyną ostrożnie, aby nie rozlać wody na miskę na wodę na dole korpusu. Umieść pojemnik na wodę poniżej wylotu wody za obudową. Odkręć dolny otwór spustowy chłodnicy (8) i odłącz korek od wody, woda automatycznie przepłynie do pojemnika na wodę. Przechowaj prawidłowo pokrywę spustową i korek wody do czasu ukończenia odprowadzania wody. Podczas odprowadzania wody obudowę można lekko przechylić do tyłu. Jeśli pojemnik na wodę nie może pomieścić całej wody, zanim pojemnik na wodę będzie pełny, należy jak najszybciej zatkać wylot wody korkiem, aby zapobiec spływaniu wody na podłogę lub dywan. Po spuszczeniu wody zatkać korek i dokręcić pokrywę odpływu.

### 2. Ciągłe odprowadzanie wody - opcja dotyczy TYLKO dla trybu osuszania - pokazana na rysunku F2.

Odkręć pokrywę spustową i odłącz korek wody. Umieść rurkę odpływową (nie wchodzi w skład zestawu) do wylotu wody. Podłącz rurkę drenażową do wiadra.

## CZYSZCZENIE I KONSERWACJA

Czyszczenie: przed czyszczeniem i konserwacją wyłącz urządzenie i wyjmij wtyczkę z gniazdka.

### a) Czyszczenie obudowy

Oczyść powierzchnię urządzenia wilgotną, miękką ściereczką. Nie używaj chemikaliów, takich jak benzen, alkohol, benzyna, w przeciwnym razie powierzchnia urządzenia może zostać uszkodzona.

### b) Czyszczenie filtra EVA

Jeśli filtr jest zatkany kurzem i skuteczność urządzenia jest zmniejszona, należy czyścić filtr raz na dwa tygodnie.

- Oczyszcz górną ramkę ekranu filtra - zdjęcie G.

- Odkręć jedną śrubę w tylnej obudowie i wyjmij siatkę filtra EVA (5).

- Umieść filtr w ciepłej wodzie z neutralnym detergentem (około 40 °C / 104 °F), spłucz i osusz w nienasłonecznionym miejscu.

## PRZECHEWYWANIE

1. Odkręć pokrywę spustową, odłącz korek wody i spuść wodę z miski do innych pojemników na wodę lub przechyl obudowę bezpośrednio, aby spuścić wodę do innych pojemników.

2. Włącz urządzenie, ustaw tryb wentylatora na niską prędkość i utrzymaj ten stan, aż rura drenażowa (nie wchodzi w skład zestawu) stanie się sucha, aby utrzymać wnętrze obudowy w stanie suchym i zapobiec pleśnieniu urządzenia.

3. Wyłącz urządzenie, wyjmij wtyczkę z gniazdka, zainstaluj wtyczkę i pokrywę odpływową.

4. Wyjmij elementy rury wydechowej.

5. Przykryj klimatyzację plastikową torbą. Ustaw klimatyzator w suchym miejscu, przechowuj go poza zasięgiem dzieci i zastosuj środki zapobiegające pyleniu.

6. Wyjmij baterie z pilota i trzymaj je prawidłowo.

## ROZWIĄZYWANIE PROBLEMÓW

Nie naprawiaj urządzenia samodzielnie. Niewykwalifikowana naprawa spowoduje utratę gwarancji.

Problem I.: Urządzenie nie działa.

Powód 1: Brak prądu. Tak więc włącz go do gniazdka elektrycznego.

Powód 2: Wskaźnik przepelnienia FULL wyświetla „FL”. Tak więc spuść wodę.

Powód 3: Temperatura otoczenia jest za niska lub za wysoka. Dlatego zalecamy używanie urządzenia w temperaturze 7-35 °C (44-95 °F).

Powód 4: W trybie chłodzenia temperatura w pomieszczeniu jest niższa niż temperatura ustawiona. Więc zmień ustawioną temperaturę.

Powód 5: W trybie osuszania temperatura otoczenia jest zbyt niska. Dlatego urządzenie należy umieścić w pomieszczeniu o temperaturze otoczenia większej niż 17 °C (62 °F).

Problem II.: Efekt chłodzenia nie jest dobry.

Powód 1: Światło słoneczne pada bezpośrednio na urządzenie. Więc zaciągnij zasłonę.

Powód 2: Drzwi lub okna są otwarte; w pomieszczeniu jest dużo ludzi; lub w trybie chłodzenia istnieją inne źródła ciepła. Więc zamknij drzwi i okna i dodaj nowy klimatyzator.

Powód 3: Filtr EVA jest brudny. Więc wyczyść to.

Powód 4: Wlot lub wylot powietrza jest zablokowany. Usuń przeszkodę.

Problem III.: Duży hałas

Powód: urządzenie nie jest ustawione na płaskiej powierzchni. Ustaw urządzenie na płaskim i twardym miejscu, aby zmniejszyć hałas.

Problem IV.: Kompresor nie działa.

Powód: Rozpoczyna się ochrona przed przegrzaniem. Poczekaj 3 minuty, aż temperatura zostanie obniżona, a następnie uruchom ponownie urządzenie.

Problem V.: Pilot nie działa.

Powód 1: Odległość między urządzeniem, a pilotem zdalnego sterowania jest zbyt duża. Pozwól więc, aby pilot zbliżył się do urządzenia i upewnij się, że pilot jest skierowany bezpośrednio na receptor sygnału (I) na panelu sterowania.

Powód 2: Pilot nie jest ustawiony w jednej linii z kierunkiem odbiornika pilota. Więc zrób jak wyżej.

Powód 3: Baterie są wyczerpane. Więc wymień baterie.

Problem VI.: Wyświetla „E1”.

Powód: Czujnik temperatury rury działa nieprawidłowo. Dlatego skontaktuj się z autoryzowanym serwisem.

Problem VII.: Wyświetla „E2”

Powód: Czujnik temperatury w pomieszczeniu działa nieprawidłowo. Dlatego skontaktuj się z autoryzowanym serwisem.

Uwaga: Jeśli występują problemy niewymienione w tabeli lub zalecane rozwiązania nie działają, skontaktuj się z autoryzowanym serwisem.

#### DANE TECHNICZNE:

Wydajność chłodzenia w BTU: 7000 BTU / godzinę

Moc chłodnicza w watach: 2060 W.

Zużycie energii (chłodzenie) W: 792 W.

Głośność: <= 65dB

Przepływ powietrza: 300 m<sup>3</sup> / h

Klasa energetyczna: A

Timer: 24 godziny

Masa chłodziwa R290: maksymalnie 130 gramów



Uwaga, ryzyko pożaru.

NIE przekuwać ani nie podpalać

Należy pamiętać, że czynnik chłodniczy może być bezwonne

#### (AR) عربي

شروط السلامة. تعليمات هامة لسلامة الاستخدام. يرجى القراءة بعناية والاحتفاظ بها للرجوع إليها في المستقبل

1. قبل استخدام الجهاز ، اقرأ دليل التشغيل واتباع التعليمات الواردة فيه. المصنع غير مسؤول عن الأضرار الناجمة عن استخدام الجهاز خلافاً للغرض المقصود منه أو التشغيل غير السليم للجهاز للاستخدام المنزلي فقط. لا تستخدمه لأغراض أخرى ليست للغرض المقصود منها.
2. يجب توصيل الجهاز بمأخذ تيار متردد فقط مع 220-240 فولت ~ 50 هرتز. لزيادة السلامة التشغيلية. يجب عدم توصيل العديد من الأجهزة الكهربائية بدائرة تيار واحدة في نفس الوقت ،
3. توخي الحذر الشديد عند استخدام الجهاز عندما يكون الأطفال في مكان قريب. لا تسمح للأطفال باللعب بالجهاز ، ولا تسمح للأطفال أو الأشخاص غير المعتادين على الجهاز باستخدامه
4. تحذير: يمكن استخدام هذا الجهاز من قبل الأطفال الذين تزيد أعمارهم عن 8 سنوات والأشخاص ذوي القدرات البدنية أو الحسية أو العقلية المحدودة ، أو الأشخاص الذين ليس لديهم خبرة أو معرفة بالمعدات إذا تم ذلك تحت إشراف شخص مسؤول حفاظاً على سلامتهم أو منحهم معلومات عن الاستخدام الآمن للجهاز وإدراكهم لأخطار استخدامه. يجب ألا يلعب الأطفال بالمعدات. لا ينبغي أن يقوم الأطفال بتنظيف الجهاز وصيانته ، إلا إذا كان عمره أكبر من 8 سنوات ويتم تنفيذ هذه الأنشطة تحت إشراف
5. أفضل قابس الطاقة دائماً عن طريق إمساك المقبس بيدك بعد الاستخدام. لا تسحب سلك الطاقة.
6. لا تغمر الكابل والقابس والجهاز بالكامل في الماء أو أي سائل آخر. لا تعرض الجهاز للظروف الجوية (مطر ، شمس ، إلخ) أو تستخدمه في ظروف الرطوبة العالية (الحمامات ، المنازل المتحركة الرطبة)
7. افحص بشكل دوري حالة سلك الطاقة. في حالة تلف سلك الطاقة ، يجب استبداله بمحل إصلاح متخصص لتجنب الخطر
8. لا تستخدم الجهاز مع سلك طاقة تالف أو إذا سقط أو تعرض للتلف بأي طريقة أخرى أو إذا كان لا يعمل بشكل صحيح. لا تقم بإصلاح الجهاز بنفسك ، حيث يوجد خطر حدوث صدمة كهربائية. خذ

- الجهاز التالف إلى مركز خدمة مناسب لفحصه أو إصلاحه. لا يجوز إجراء جميع الإصلاحات إلا من خلال نقاط الخدمة المعتمدة. يمكن أن تتسبب الإصلاحات التي يتم إجراؤها بشكل غير صحيح في خطر كبير على المستخدم.
10. ضع الجهاز على سطح بارد وثابت ، بعيدًا عن أجهزة المطبخ الساخنة مثل: الموقد الكهربائي ، وموقد الغاز ، وما إلى ذلك
- تأكد من عدم وجود أي شيء يسد مدخل ومخرج الهواء بالجهاز .
11. استخدم الجهاز فقط على سطح مستو لمنع التكاثر من الانسكاب .
12. في الدائرة الكهربائية بتيار متبقي (RCD) لتوفير حماية إضافية ، يُنصح بتركيب جهاز التيار المتبقي .
13. مُقدر لا يتجاوز 30 مللي أمبير. أسأل كهربائيًا عن هذا
- نظف مرشح الهواء بانتظام. يعتمد تكرار التنظيف على نظافة الهواء .
14. بعد إيقاف تشغيل الجهاز ، انتظر 5 دقائق على الأقل قبل إعادة تشغيله .
15. لا تستخدم الجهاز في الأماكن المشمسة. عندما ترتفع درجة حرارة الجهاز ، سيتم تشغيل الحماية من الحرارة الزائدة على الجهاز
16. لضمان التبريد الفعال ، يجب إبقاء مسافة لا تقل عن 50 سم بين الجدران الجانبية للجهاز والحائط أو الأثاث أو الستائر
17. نظرًا للأداء المحدود للجهاز ، إذا كان الفرق بين درجة الحرارة المستهدفة ودرجة الحرارة المحيطة كبيرًا جدًا ، فقد لا يتم الوصول إلى درجة الحرارة المستهدفة
18. لتقليل مخاطر نشوب حريق أو صدمة كهربائية أو إصابة عند استخدام مكيف الهواء ، يجب مراعاة الاحتياطات الأساسية التالية:
19. (أ) قم بالتوصيل بمخرج مؤرض بثلاثة دبابيس
- (ب) لا تقم بإزالة سن التأريض
- (ج) لا تستخدم المحول
- (د) لا تستخدم سلك تمديد
- (هـ) افصل مكيف الهواء قبل الصيانة
- (و) استخدام شخصين أو أكثر لتحريك وتركيب المكيف
- لا تستخدم عوامل تسرع من عملية إزالة الجليد أو التنظيف بخلاف تلك التي أوصت بها الشركة .
20. المصنعة
21. يجب أن يتم تخزين الجهاز في غرفة دون تشغيل مصادر الاشتعال باستمرار ، على سبيل المثال: النار .
- المفتوحة ، أجهزة الغاز أو السخانات الكهربائية

وصف الجهاز - صورة أ

1. لوحة التحكم
2. مخرج الهواء البارد
3. (E الصورة) جهاز التحكم عن بعد
4. مقبض النقل
5. EVA مدخل المبخر مع مرشح
6. أنبوب عادم الهواء
7. فتحة تصريف المبرد العلوي
8. أسفل فتحة تصريف المبرد
9. محول عادم النافذة
10. موصل أنبوب عادم الهواء

وصف لوحة التحكم - صورة د

- A. زر الطاقة
- B. زر الوضع
- C. زر المؤقت / خفض درجة الحرارة
- D. زر رفع درجة الحرارة

(مغا في وضع التبريد D & F الضغط على) أزرار نموذج السكن E.

زر سرعة المروحة F.

زر المؤقت

شاشة LED

مستقبل إشارة لوحدة التحكم عن بعد I.

مصباح التحكم في وضع التبريد J.

مصباح التحكم في الوضع الجاف K.

مصباح التحكم في وضع المروحة

مصباح تحكم كامل بالمياه

مصباح التحكم في وضع النوم N.

O. مفتاح تشغيل / إيقاف مصباح التحكم.

P. مصباح التحكم في الوقت.

Q. مصباح التحكم في درجة الحرارة.

E. جهاز التحكم عن بعد - صورة

A. زر الطاقة.

B. زر الوضع

زر المؤقت / خفض درجة الحرارة C.

المؤقت / زر رفع درجة الحرارة D.

نموذج النوم E.

زر سرعة المروحة F.

زر المؤقت

تشغيل لوحة التحكم - الصورة د

على لوحة التحكم "O" اضغط على الزر "A" لتشغيل وإيقاف تشغيل الجهاز ، وسوف يقوم الجرس بتشغيل الإشارة مرة واحدة. سوف يتم تشغيل مصباح التحكم

للتبديل بين وضع التبريد ← وضع المروحة ← وضع إزالة الرطوبة "B" اضغط على الزر

لأعلى / لأسفل لتغيير درجة حرارة الإعداد أو وقت الإعداد ، تعمل على النحو التالي "D / C" اضغط على الزر

أثناء ضبط درجة الحرارة ، اضغط على الزر لأعلى أو لأسفل لتحديد درجة الحرارة المطلوبة (غير متوفر في وضع المروحة أو إزالة الرطوبة) -

أثناء ضبط الوقت ، اضغط على الزر العلوي أو الزر السفلي لتحديد الوقت المطلوب -

لتحديد سرعة المروحة "F" اضغط على الزر

لتحديد تشغيل سرعة الرياح العالية أو المنخفضة. في الظروف شديدة البرودة ، قد لا تعمل وفقاً لسرعة "F" في وضع التبريد والمروحة ، اضغط على الزر -  
الرياح المحددة

غير صالح ، وسوف تختار المروحة بالقوة تشغيل سرعة الرياح المنخفضة "F" في وضع إزالة الرطوبة ، الضغط على الزر -

لتحديد وضع السكن "E" اضغط على الزر

لتشغيل وضع السكن ، ثم ستعمل الوحدة على نوع توفير الطاقة والهدوء. سوف يتم تشغيل مصباح "D" و "F" في وضع التبريد ، اضغط على الزرين -  
على لوحة التحكم "N" التحكم في نموذج السكن

لتحديد النطاق الزمني المطلوب. نطاق "C" أو الزر السفلي "D" اضغط على الزر LCD لتحديد فترة التشغيل ، عندما تومض شاشة "G" اضغط على الزر

ضبط الوقت 1-24 ساعة ويمكن تعديله لأعلى أو لأسفل بساعة واحدة

وظيفة تأخير البدء

إعداد تأخير التشغيل -

لتحديد قيمة الوقت المطلوبة. الحد الأقصى لوقت التأخير هو 24 "C" أو الزر السفلي "D" ثم اضغط على الزر "G" أوقف تشغيل الجهاز ثم اضغط على الزر  
ساعة. سيتم تشغيل الجهاز بعد انقضاء وقت التأخير

إعداد تأخير إيقاف التشغيل -

لتحديد القيمة الزمنية المطلوبة. أقصى وقت تأخير لإيقاف التشغيل "C" أو الزر السفلي "D" ثم اضغط على الزر "G" قم بتشغيل الجهاز ثم اضغط على الزر  
هو 24 ساعة. سيتم إيقاف تشغيل الجهاز بعد انقضاء وقت التأخير

لإظهار درجة الحرارة المطلوبة LED سيتوقف الوميض قريباً وستعود شاشة

E. تشغيل جهاز التحكم عن بعد - صورة

ترسل وحدة التحكم عن بعد إشارات إلى النظام

زر "A" - سيبدأ تشغيل الجهاز عند تنشيطه أو سيتم إيقافه عندما يكون قيد التشغيل ، إذا ضغطت على هذا الزر

اضغط عليه لتحديد وضع التشغيل: الوضع البارد ← الوضع الجاف ← وضع المروحة - "B" زر

اضغط لضبط درجة حرارة الغرفة والمؤقت - "D" / "C" زر

اضغط لضبط أو إلغاء وضع السكن - "E" زر

اضغط عليه لاختيار سرعة المروحة بالتسلسل: سرعة الرياح المنخفضة / العالية - "F" زر

اضغط لضبط وقت العملية من 1 إلى 24 ساعة - "G" زر

أجهزة الحماية

1. وظيفة حماية الصقيع  
في وضع التبريد أو إزالة الرطوبة أو توفير الطاقة الاقتصادي، إذا كانت درجة حرارة أنبوب العادم منخفضة جدًا، وسوف تدخل الماكينة تلقائيًا في حالة الحماية؛ إذا ارتفعت درجة حرارة أنبوب العادم إلى درجة حرارة معينة، فيمكن أن يعود تلقائيًا إلى التشغيل العادي
- "M": وظيفة الحماية من التدفق الزائد  
في هذا الوقت، قم بتصريف "M" "FULL" عندما يتجاوز الماء في حوض الماء مستوى التحذير، ستصدر الماكينة إنذارًا تلقائيًا، وسيومض ضوء المؤشر المياه وفقًا لتعليمات الصريف. بعد تفريغ الماء، ستعود الآلة تلقائيًا إلى حالتها الأصلية
- وظيفة الحماية للضاغط  
لزيادة العمر التشغيلي للضاغط، فإنه يحتوي على وظيفة الحماية من تأخير التمهيد لمدة 3 دقائق بعد إيقاف تشغيل الضاغط

#### تعليمات الصريف

هذه الآلة لها طريقتان للصريف: الصريف اليدوي والصريف المستمر

#### F1 الصريف اليدوي - الصورة 1.

- قم بإيقاف تشغيل الجهاز وافصل قابس الطاقة. قم بتحريك الماكينة "M" عندما يتوقف الجهاز بعد امتلاء الماء، ترى على لوحة التحكم يومض مصباح التحكم (8) بعناية، حتى لا ينسكب الماء في وعاء الماء في أسفل الجسم. ضع وعاء الماء أسفل مخرج الماء خلف الغلاف. قم بفك فتحة تصريف المبرد السفلي وافصل قابس الماء، وسوف يتدفق الماء تلقائيًا إلى حاوية الماء. احتفظ بغطاء الصريف وقابس الماء بشكل صحيح. أثناء الصريف، يمكن أن يميل الجسم قليلاً إلى الوراء. إذا كان وعاء الماء لا يمكنه استيعاب كل الماء، فقبل امتلاء وعاء الماء، قم بتعبئة مخرج الماء بسدادة الماء في أسرع وقت ممكن لمنع تدفق الماء إلى الأرض أو السجادة. عندما يتم تصريف المياه، قم بتعبئة سدادة الماء، وشد غطاء الصريف
- F2 الصريف المستمر - الخيار المطبق على وضع إزالة الرطوبة فقط - يظهر في الصورة 2.  
قم بفك غطاء التصريف وافصل قابس الماء. اضبط أنبوب الصريف (غير مدرج في المجموعة) في مخرج المياه. قم بتوصيل أنبوب الصريف بالدلو

#### التنظيف والصيانة

التنظيف: قبل التنظيف والصيانة، قم بإيقاف تشغيل الجهاز وافصل القابس

#### (أ) تنظيف المساكين

نظف مع سطح الجهاز بقطعة قماش ناعمة مبللة. لا تستخدم مواد كيميائية، مثل البنزين، والكحول، والبنزين، وإلا فإن سطح الجهاز سيتلف أو حتى الجهاز يأكمله سيتلف

#### (ب) تنظيف مرشح

في حالة انسداد شاشة الفلتر بالغبار وانخفاض فعالية الجهاز، فتأكد من تنظيف شاشة الفلتر مرة كل أسبوعين

G. نظف إطار شاشة المرشح العلوي - الصورة -

(5) EVA قم بفك برغي واحد في الغطاء الخلفي وإزالة شبكة مرشح -

ضع الفلتر في ماء دافئ مع منظف متعادل (حوالي 40/104°F) وجفف في الظل بعد شطفه -

#### تخزين

قم بفك غطاء التصريف، وافصل قابس الماء، وقم بتصريف الماء الموجود في وعاء الماء في مياه أخرى 1.

أو قم بإزالة الهيكل مباشرة لتصريف المياه في حاويات أخرى

2. قم بتنظيف الجهاز، واضبطه على وضع المروحة منخفض السرعة، وحافظ على هذه الحالة حتى يصبح أنبوب الصريف (غير مدرج في المجموعة) جافًا.

. وذلك للحفاظ على الجزء الداخلي من السكن في حالة جافة ومنع العفن من العفن

3. قم بإيقاف تشغيل الجهاز، وإزالة القابس من المقبس، وتثبيت القابس وغطاء الصريف.

4. قم بإزالة عناصر أنبوب عادم الهواء

5. قم بتغطية التكييف بكيس بلاستيكي. ضع التكييف في مكان جاف، واحفظه بعيدًا عن متناول الأطفال، واتخذ إجراءات التحكم في الغبار.

6. قم بإزالة بطاريات جهاز التحكم عن بعد واحتفظ بها بشكل صحيح.

#### استكشاف الأخطاء وإصلاحها

لا تقم بإصلاح الجهاز بنفسك. سيؤدي الإصلاح المؤهل إلى إبطال الضمان

المشكلة الأولى: تكييف الهواء لا يعمل

السبب الأول: لا توجد كهرباء. لذا، قم بتشغيله بعد توصيله بمقبس بالكهرباء

لذا، قم بتصريف الماء "FL" السبب 2: مؤشر الفائض يعرض

السبب 3: درجة الحرارة المحيطة منخفضة جدًا أو مرتفعة جدًا. لذا، نوصي باستخدام الجهاز في درجة حرارة 7-35 درجة مئوية (44-95 درجة مئوية)

السبب 4: في وضع التبريد، تكون درجة حرارة الغرفة أقل من درجة الحرارة المحددة. لذلك، قم بتغيير درجة الحرارة المحددة

السبب 5: في الوضع الجاف، تكون درجة الحرارة المحيطة منخفضة جدًا. لذلك، يجب وضع الجهاز في غرفة ذات درجة حرارة محيطة أكبر من 17 درجة

مئوية (62 درجة مئوية)

المشكلة الثانية: تأثير التبريد ليس جيدًا

السبب 1: هناك ضوء الشمس المباشر. لذا، اسحب الستارة

السبب 2: الأبواب أو النوافذ مفتوحة؛ هناك الكثير من الناس؛ أو في وضع التبريد، هناك مصادر أخرى للحرارة. لذلك، أغلق الأبواب والنوافذ وأضف مكيف

هواء جديد

متسخ. لذا، قم بتنظيفه EVA السبب 3: مرشح

السبب 4: مدخل أو مخرج الهواء مسدود. لذا، قم بإزالة العوائق

المشكلة الثالثة: ضوضاء كبيرة

السبب: عدم وضع الجهاز على سطح مستو. لذلك، ضع الجهاز في مكان مسطح وقاس لتقليل الضوضاء

المشكلة الرابعة: الضاغط لا يعمل

السبب: بدء الحماية من الحرارة الزائدة. لذا، انتظر لمدة 3 دقائق حتى تنخفض درجة الحرارة، ثم أعد تشغيل الجهاز

المشكلة الخامسة: جهاز التحكم عن بعد لا يعمل

السبب 1: المسافة بين الجهاز وجهاز التحكم عن بعد بعيدة جدًا. لذلك ، دع جهاز التحكم عن بعد يقترب من الجهاز ، وتأكد من أن جهاز التحكم عن بعد يواجه في لوحة التحكم (I) مباشرة مستقبل الإشارة

السبب 2: جهاز التحكم عن بعد غير متوافق مع اتجاه مستقبل جهاز التحكم عن بعد. لذا ، افعل ما ورد أعلاه

السبب 3: البطاريات مستنفدة. لذا ، استبدل البطاريات

"E1" المشكلة السادسة: عرض

السبب: حساس درجة حرارة الأنابيب غير طبيعي. لذا ، يرجى الاتصال بمؤسسة خدمة معتمدة

"E2" المشكلة السابعة: عرض

السبب: حساس درجة حرارة الغرفة غير طبيعي. لذا ، يرجى الاتصال بمؤسسة خدمة معتمدة

ملاحظة: إذا حدثت مشكلات غير مدرجة في الجدول أو لم تنتج الحلول الموصى بها ، فيرجى الاتصال بمؤسسة خدمة معتمدة



الحذر من خطر نشوب حريق  
لا تخرق أو تحرق  
اعلم أن المبرد قد لا يحتوي على رائحة

معلومات تقنية

وحدة حرارية بريطانية / الساعة: 7000 BTU: ساعة التبريد عند  
قدرة التبريد بالواط: 2060 وات  
استهلاك الطاقة (تبريد) وات: 792 وات  
مستوى الضوضاء: <= 65 ديسيبل  
تدفق الهواء: 300 م<sup>3</sup> / ساعة  
فئة الطاقة: أ  
الموقت: ٢٤ ساعة  
بحد أقصى 130 جرام: R290 وزن سائل التبريد

يرجى نقل عبوات الورق المقوى إلى نفايات الورق. اسكب أكياس البولي إيثيلين في الحاوية البلاستيكية  
يجب إعادة الجهاز البالي إلى نقطة تخزين مناسبة لأنه خطير في الجهاز  
قد تشكل المكونات تهديدًا للبيئة. يجب تسليم الجهاز الكهربائي للحد  
فعلك إخراجها وإعطائها إلى النقطة المخزنة بشكل منفصل، إعادة استخدامها واستخدامها. إذا كان هناك بطاريات في الجهاز

